

**KBT****617~960/1695~2700/3300~4200/4800~6000MHz 85°/70°/75°/50°  
6/7/8/8dBi MIMO Directional Panel Antenna****TDJ-X0660BGA-MY****Application**

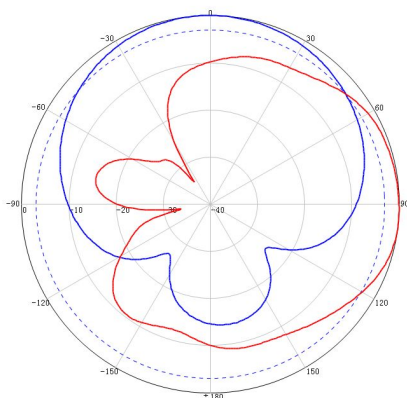
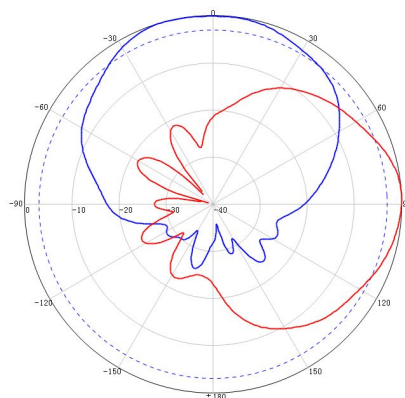
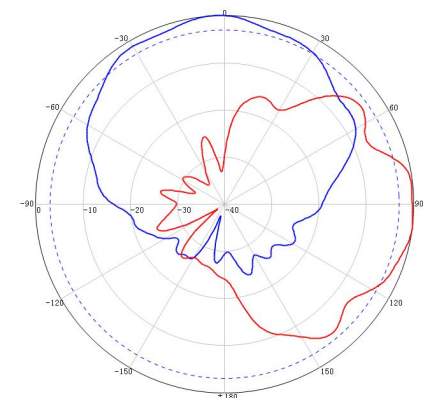
Used in 2G/3G/4G/5G/WLAN system

**Electrical specifications**

Frequency range (MHz)	617~960	1695~2700	3300~4200	4800~6000
Polarization	±45°			
Gain (dBi)	6	7	8	8
Horizontal beam width (°) (Typ.)	85	70	75	50
Vertical beam width (°) (Typ.)	75	60	80	35
Front-to-back ratio (dB, avg.)	15	20	25	18
Isolation (dB)	≥20	≥20	≥20	≥25
Impedance (Ω)	50			
VSWR	≤1.8			≤2.2
Intermodulation IM3 (2×43dBm carrier)	-153dBc	-153dBc	-153dBc	/
Maximum power (W)	50			
Lighting protection	DC Ground			

**Mechanical specifications**

Connector	2*4.3-10 Female or 2*N Female
Exposed cable size (cm)	30
Connector position	Bottom
Antenna size (mm)	306*250*86
Packing size (mm)	455*260*113
Weight (kg)	≤1.5
Radome material	ABS
Radome color	White (RAL 9003)
Operating temperature (°C)	-40~60
Application	Outdoor
Mechanical tilt (°)	Adjusting Elevation 0~20/Adjusting Turn ±45
Rated wind velocity (m/s)	40
Suitable pole diameter (mm)	Φ35~Φ125
Mounting kit	JM-VB8

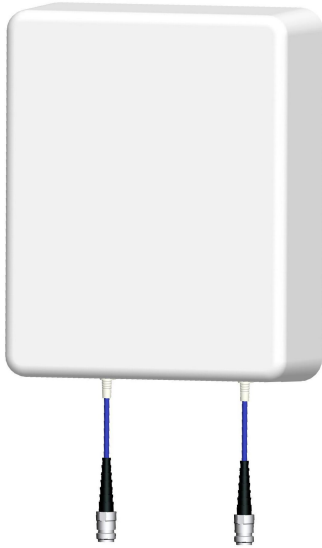
**617~960MHz Typical pattern:****1695~2700MHz Typical pattern:****3300~6000MHz Typical pattern:**



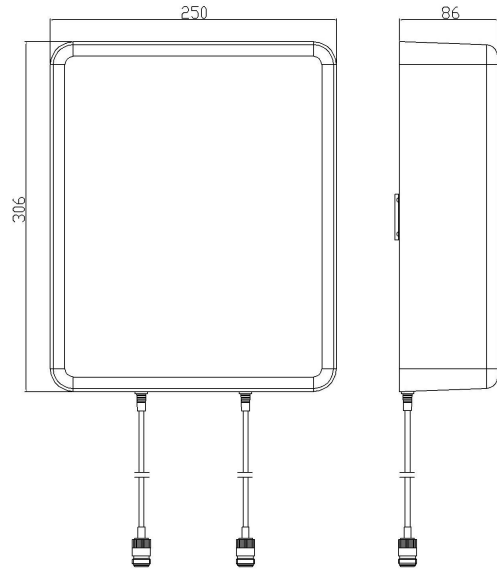
**KBT**

617~960/1695~2700/3300~4200/4800~6000MHz 85°/70°/75°/50°  
6/7/8/8dBi MIMO Directional Panel Antenna

Product pictures

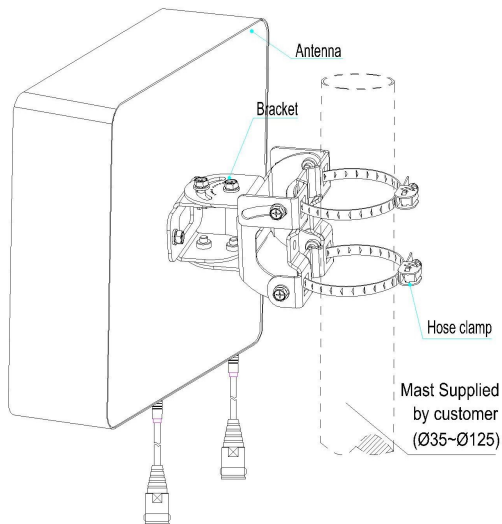


Product size



## Installation Sketch

Mast Installation



Wall Installation

