

# TDJ-900SPL12

## Parabolic Antenna

### Technical Sheet



#### Applications

- 806-960MHz band
- Point to point or point to multipoint signal transmission
- Repeater station
- Long-distance communication
- Wireless bridges

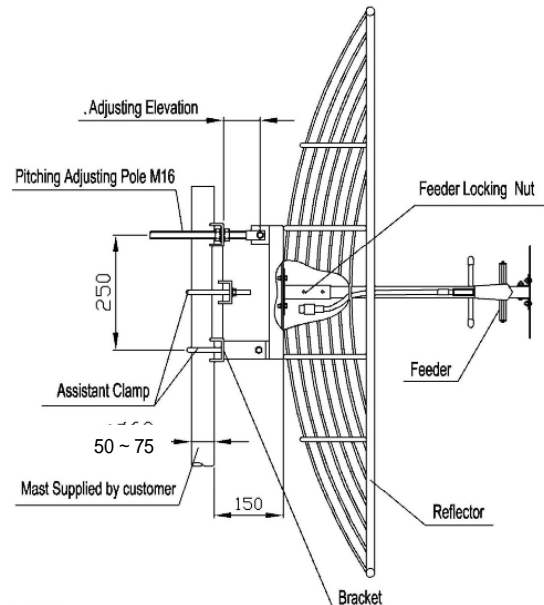
#### Features

- Welded Aluminum Grid
- UV stable coat finish
- Strong corrosion resistance and adaptability of environment
- High gain, Low VSWR
- Small size, Easy to mount

#### Specifications

Model	TDJ-900SPL12
Freq. Range-MHz	806-960
Bandwidth-MHz	70
Gain-dBi	18
Beamwidth-°	E:16.5 H:16.5
F/B Ratio-dB	≥30
VSWR	≤1.5
Impedance-Ω	50
Polarization	Vertical
Max. Power-W	100
Connector Type	N Female or Customization
Dimension-m	1.2
Weight-Kg	20
Pole Diameter-mm	50-75

#### Installation Sketch



##### Installation:

1. Mount the feeder horn on the reflector. Make sure the polarization meets your requirement.
2. Install the bracket on the reflector.
3. Fasten the assistant clamp on the mast. Then mount the antenna on the mast according to the sketch map.
4. Use equipment to test the receiving signal. Adjust the antenna azimuth and pitching angle to make the receiving signal maximum. Fasten all the screws and seal the connector which connect the antenna and cable

