

# TDJ-6471P6A

## Dish Antenna Technical Sheet



### Applications

- 6.425 to 7.125GHz

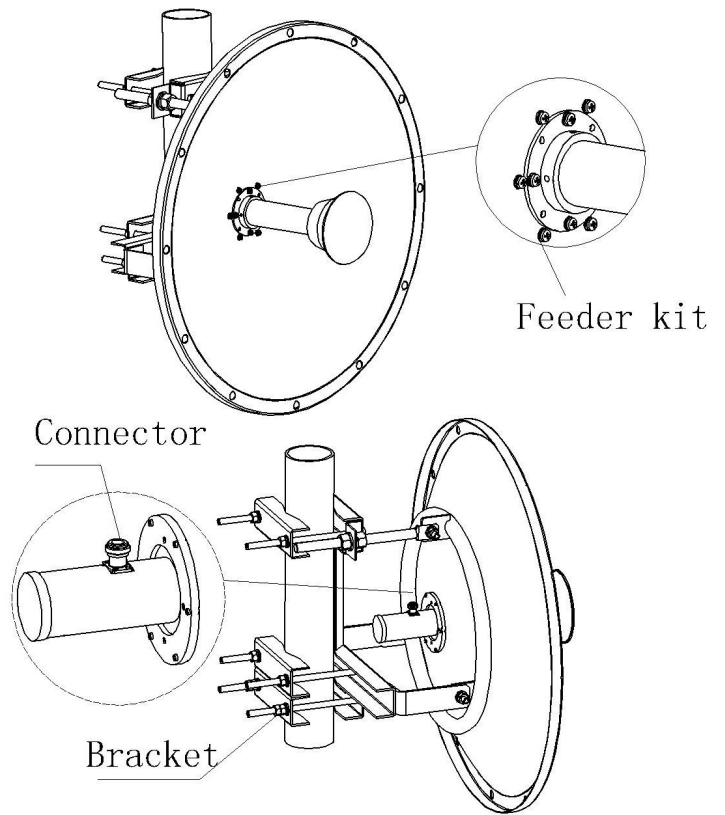
### Features

- High Gain, Good F/B Ratio
- High Precise Parabolic Dish
- UV-Coated Aluminium Alloy
- V/H Polarization is Compatible
- Standard Mounting Kits

### Specifications

Model	TDJ-6471P6A
Freq.Range-MHz	6425-7125
Gain-dBi	30
VSWR	≤2.0
Hor.Beamwidth-°	5
Ver.Beamwidth-°	4
Front-to-Back Ratio-dB	≥34
Impedance-Ω	50
Polarization	Vertical Or Horizontal
Maximum Power-W	100
Connector	1*N-Female
Dimensions-m	Φ0.6
Weight-Kg	6.5
Mast Diameter-mm	Φ50-115 (JM-O9)

### Installation Sketch



#### Installation:

1. Fixing mounting kits and feeder to parabolic dish, notice the polarization mark.
2. Installing assistant bracket, then install antenna above the assistant bracket, not fixing screws of the mounting kits.
3. To make the received signal maximum by adjusting antenna's azimuth and elevation, then fix screws of the mounting kits and move the assistant bracket to the illustrated place.
4. Antenna's polarization can be adjusted by rotating the feeder. When the connector is vertical, antenna work at vertical polarization mode, otherwise at horizontal polarization mode.