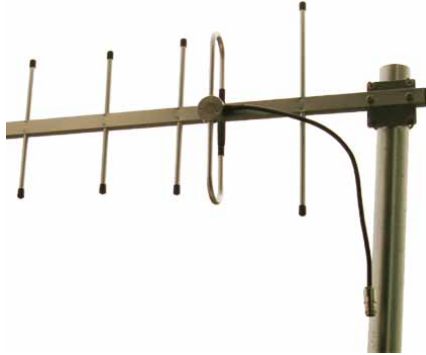


TDJ-500Z5

Directional Yagi Antenna

Technical Sheet



Applications

- 500MHz band
- 500MHz wireless video system
- 500MHz wireless data transmission system

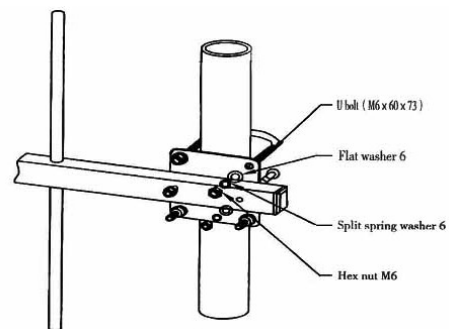
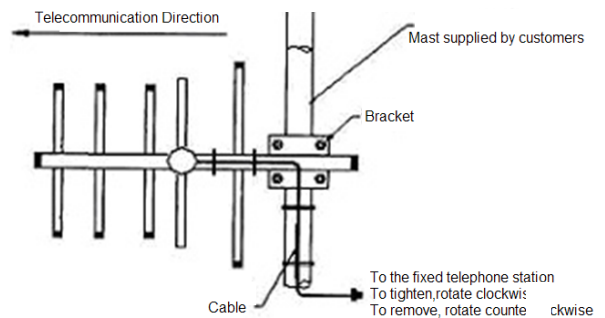
Features

- High gain
- High quality aluminum alloy material
- Strong adaptability of environment
- Optimized size

Specifications

Model	TDJ-500Z5
Freq.Range-MHz	480 to 590
Bandwidth-MHz	30
Gain-dBi	9
Beamwidth-°	E:48 H:54
F/B Ratio-dB	≥15
VSWR	≤1.5
Impedance-Ω	50
Polarization	Vertical
Max.Power-W	100
Connector	N Male or customized
Antenna Length-m	0.7
Weight-Kg	0.58
Mast Diameter-mm	Φ 40~50

Installation Sketch



1. Install the antenna as figure, point the antenna to the communications direction approximately;
2. Adjust the azimuth of the antenna slightly to maximize the signal
3. Fixed all the bolts.

