

# TDJ-500Z3H

## Directional Yagi Antenna

### Technical Sheet



Note: The picture is for reference only, please kindly consult with the real product.

#### Applications

- 400MHz system, 500MHz system
- Digital mobile TV system
- Client antenna

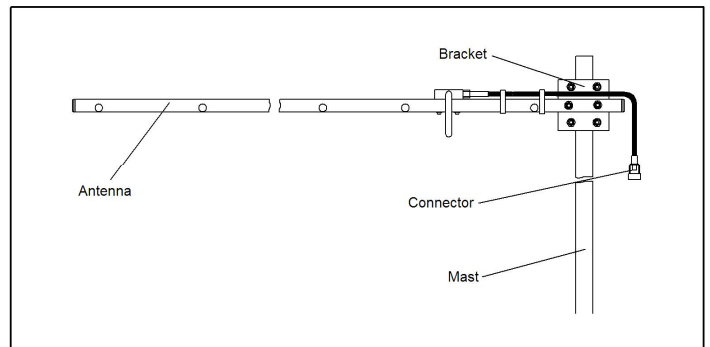
#### Features

- High gain, High F/B ratio
- Long-distance communication
- Strong anti-jamming ability
- High quality aluminum alloy
- Strong adaptability of environment
- The connector with a pigtail

#### Specifications

Model	TDJ-500Z3H
Elements	3
Freq.Range-MHz	470 to 600
Gain-dBi	6.5
Beamwidth-°	E:70 H:120
F/B Ratio-dB	≥12
VSWR	≤2
Impedance-Ω	75
Polarization	Horizontal
Max.Power-W	100
Lightning Protection	DC grounded
Connector	F male or customized
Cable Length-m	0.4
Antenna Length-m	0.4
Weight-Kg	0.5
Mast Diameter-mm	40 to 50

#### Installation Sketch



1. Install the antenna as figure, make the antenna point to the communications direction approximately;
2. Adjust the azimuth of the antenna slightly to maximize the signal;
3. Fasten all the bolts.



Kenbotong Technology Co., Ltd.

Addr :NO.2 Chanxiu Road ,Foshan city,Guangdong China Code:528061  
 Tel: 86(757)8202-5597, 8221-9788 Fax : 86(757)8221-2072,8802-2808  
 Email: kbt@kenbotong.com web: <http://www.kenbotong.com>