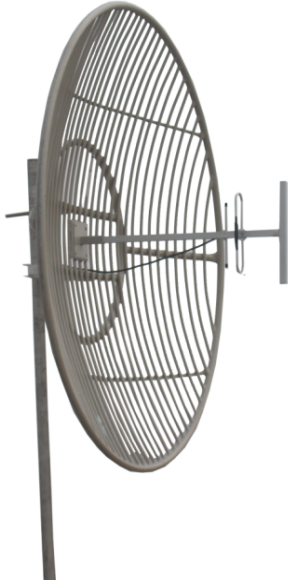


TDJ-400SPL18

Parabolic Antenna

Technical Sheet



Applications

- SCDMA450 System
- Long range communications
- Base Station Antenna
- Repeater Antenna

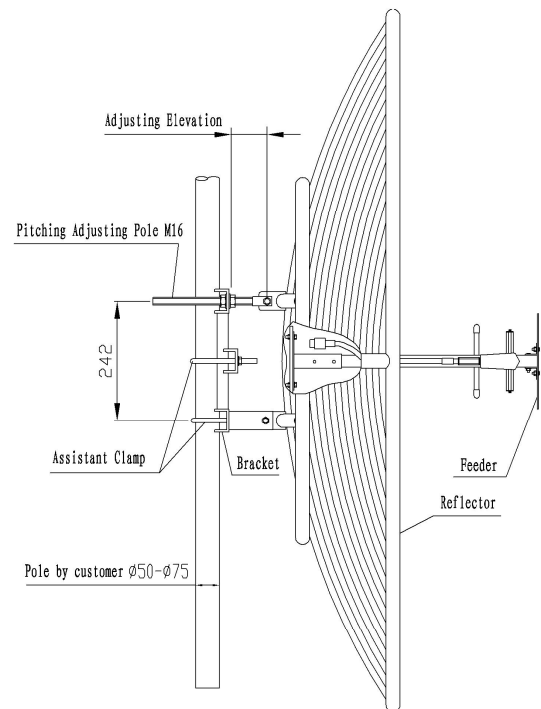
Features

- High Gain, Low VSWR
- Welded Aluminum Grid Reflector
- UV stable light gray powder coat finish
- Low Wind Loading
- 20° Down-Tilt Mounting Bracket included

Specification

Model	TDJ-400SPL18
Freq. Range-MHz	400-440
Bandwidth-MHz	20
Gain-dBi	17
Beamwidth-°	E:23 H:26
F/B Ratio-dB	≥25
VSWR	≤1.5
Impedance-Ω	50
Polarization	Vertical
Max. Power-W	100
Connector Type	N Female or Customization
Dimension-m	φ 1.8
Weight-Kg	30
Pole Diameter-mm	φ 50~75

Install Sketch



Installation:

1. Mount the feeder horn on the reflector. Make sure the polarization meets your requirement.
2. Install the bracket on the reflector.
3. Fasten the assistant clamp on the mast. Then mount the antenna on the mast according to the sketch map.
4. Use equipment to test the receiving signal. Adjust the antenna azimuth and pitching angle to make the receiving signal maximum. Fasten all the screws and seal the connector which connect the antenna and cable.

