

TDJ-2400A

Square Grid Parabolic Antenna

Technical Sheet



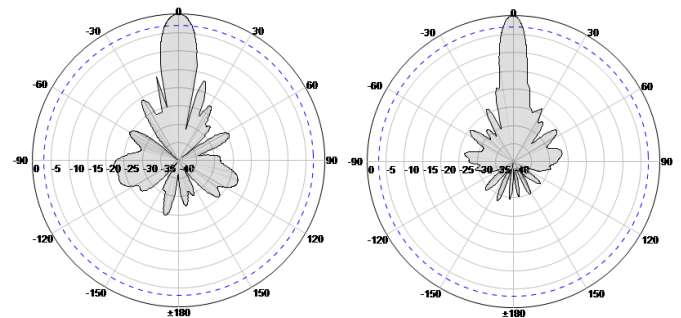
Applications

- Point to Point / Point to Multi-point Application
- Long distance communications
- Client Antenna

Features

- High Gain
- Aluminum Die Cast Grid
- UV Stable Light Gray Powder Coat Finish
- All Weather Operation
- Easy to Assemble

Patterns



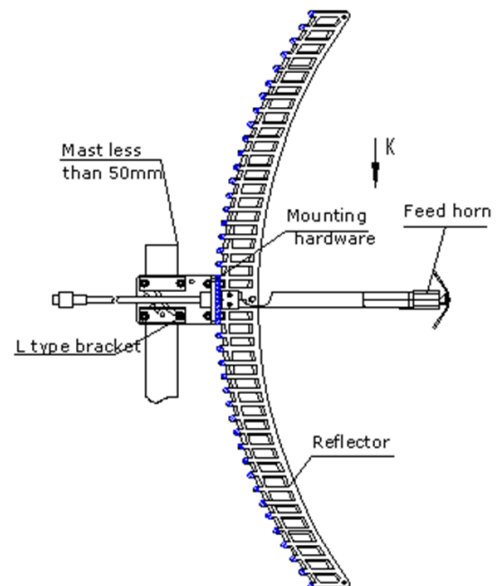
E Plane

H Plane

Specifications

Model	TDJ-2400A
Freq. Range-MHz	2400~2483
Bandwidth-MHz	83
Gain-dBi	24
Hor. Beamwidth-°	8
Ver. Beamwidth-°	12
VSWR	≤1.5
F/B Ratio-dB	≥28(H Plane)
Impedance-Ω	50
Polarization.	Vertical or Horizontal
Max. Power-W	100
Connector Type	N Female or Customization
Dimension-m	0.6×0.9
Weight-Kg	3.6
Pole Diameter-mm	φ 40-50

Install Sketch



Installation:

1. Assemble the two pieces of reflector symmetrically.
2. Mount the feed horn on the reflector according to the sketch map. Make sure the feed dipoles parallel with most bars of the grid reflector. When the feed dipole and most grid bars are vertical to the ground, the antenna is vertical polarized. When the feed dipole and most grid bars are horizontal to the ground, the antenna is horizontal polarized.
3. Mount the "L" type bracket at the back of the reflector, then mount the antenna on the mast supplied by customer according to the sketch map.
4. Test the antenna with equipment to make sure the antenna receive the best signal by tuning the azimuth and pitching angle, then lock all the screws and seal the connector between antenna and cable.

