

TDJ-230B3

Yagi Antenna

Technical Sheet



Applications

- 220~290MHz Band
- Wireless Video System
- Long-distance communication system
- Client Antenna

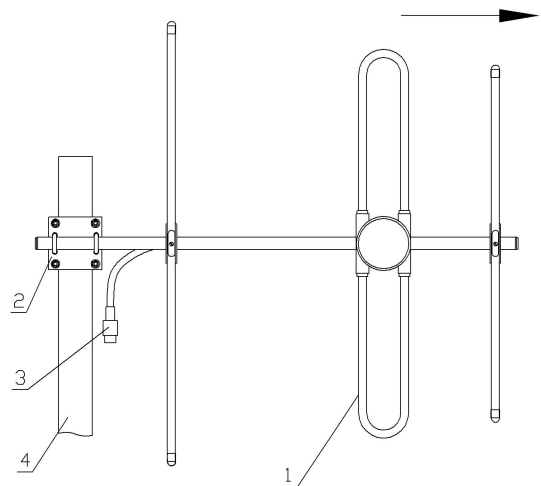
Features

- High Gain , High F/B Ratio
- Long-distance communication , strong anti-jamming ability
- High quantity Aluminum Alloy material
- All Weather Operation
- The connector with a pigtail

Specifications

Model	TDJ-230B3
Freq. Range-MHz	220~290
Bandwidth-MHz	16
Gain-dBi	6.5
Hor.Beamwidth-°	120
Ver.Beamwidth-°	70
F/B Ratio-dB	≥14
VSWR	≤1.5
Impedance-Ω	50
Polarization	Vertical or Horizontal
Max. Power-W	100
Connector Type	N-Female or Customized
Dimension-m	0.72
Weight-Kg	1.2
Pole Diameter-mm	φ40~50

Installation Sketch



1. Antenna
2. Bracket
3. Connector
4. Mast supplied by customers

