

# TDJ-1500SPL18

## 1.5GHz Grid Parabolic Antenna

### Technical Sheet



#### Applications

- 1500MHz communications system
- Long-distance communications
- Point to point communications

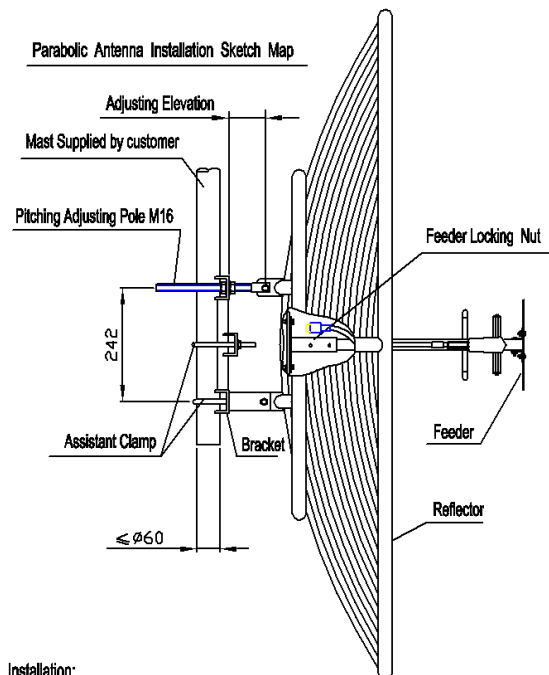
#### Features

- Low wind loading
- High gain, Stable performance
- High quality aluminum, Firm structure
- Easy to mount

#### Specifications

Model	TDJ-1500SPL18
Freq.Range-MHz	1400 to 1550
Bandwidth-MHz	150
Gain-dBi	26
Beamwidth-°	E:7.5 H:7.5
F/B Ratio-dB	≥30
VSWR	≤1.5
Impedance-Ω	50
Polarization	Vertical
Max.Power-W	100
Connector	N female or customized
Dimensions-m	φ 1.8
Weight-Kg	30

#### Installation Sketch



#### Installation:

1. Mount the feeder horn on the reflector. Make sure the polarization meets your requirement.
2. Install the bracket on the reflector.
3. Fasten the assistant clamp on the mast. Then mount the antenna on the mast according to the sketch map.
4. Use equipment to test the receiving signal. Adjust the antenna azimuth and pitching angle to make the receiving signal maximum. Fasten all the screws and seal the connector which connect the antenna and cable.

