

# TDJ-1500SPL12

## Square Grid Parabolic Antenna

### Technical Sheet



#### Applications

- 1500MHz long-distance communication
- Point to point system
- Point to multipoint system

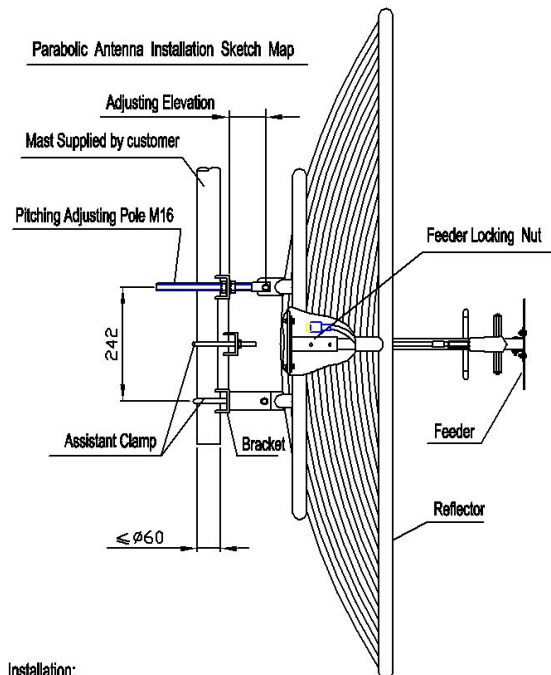
#### Features

- High gain, High F/B ratio
- Long-distance transmission
- Folded structure, Easy to transport & store
- No need to use tool, Easy to install
- UV stable coat finish
- Low wind loading

#### Specifications

Model	TDJ-1500SPL12
Freq.Range-MHz	1400 to 1550
Bandwidth-MHz	150
Gain-dBi	22.5
Beamwidth-°	E:10 H:10
F/B Ratio-dB	≥30
VSWR	≤1.5
Impedance-Ω	50
Polarization	Vertical
Max.Power-W	100
Connector	N female or customized
Diameter-m	φ 1.2
Weight-Kg	20
Mast Diameter-mm	φ 50 to 75

#### Installation Sketch



#### Installation:

1. Mount the feeder horn on the reflector. Make sure the polarization meets your requirement.
2. Install the bracket on the reflector.
3. Fasten the assistant clamp on the mast. Then mount the antenna on the mast according to the sketch map.
4. Use equipment to test the receiving signal. Adjust the antenna azimuth and pitching angle to make the receiving signal maximum. Fasten all the screws and seal the connector which connect the antenna and cable.

