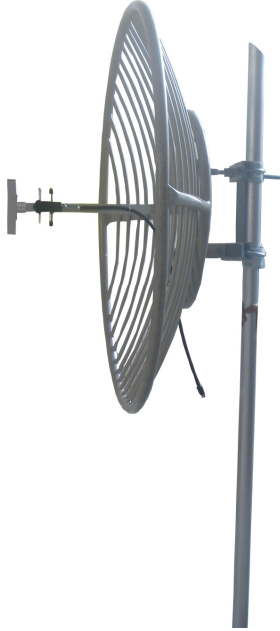


TDJ-1200SPL15

Grid Parabolic Antenna

Technical Sheet



Applications

- 1200MHz System
- Point to Point Communication
- Long-distance Communication
- Wireless Bridges

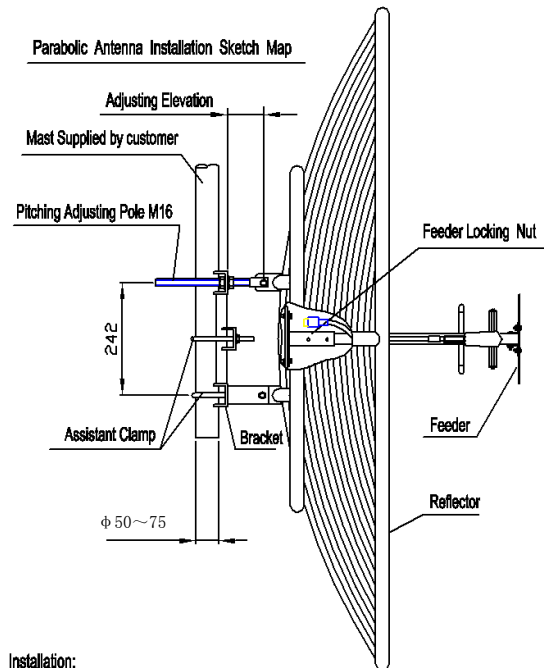
Features

- Welded Aluminum Grid Structure
- Strong Corrosion Resistance Ability
- UV Stable Coat Finish
- Low Wind Loading

Specifications

Model	TDJ-1200SPL15
Freq.Range-MHz	1120 to 1200
Bandwidth-MHz	80
Gain-dBi	22.5
Beamwidth-°	E:10 H:10
F/B Ratio-dB	≥30
VSWR	≤1.5
Impedance-Ω	50
Polarization	Vertical
Max.Power-W	100
Connector	N Female or Customized
Dimension-m	φ 1.5
Weight-Kg	15
Mast Diameter-mm	φ 50 to 75

Installation Sketch



Installation:

1. Mount the feeder horn on the reflector. Make sure the polarization meets your requirement.
2. Install the bracket on the reflector.
3. Fasten the assistant clamp on the mast. Then mount the antenna on the mast according to the sketch map.
4. Use equipment to test the receiving signal. Adjust the antenna azimuth and pitching angle to make the receiving signal maximum. Fasten all the screws and seal the connector which connect the antenna and cable.

