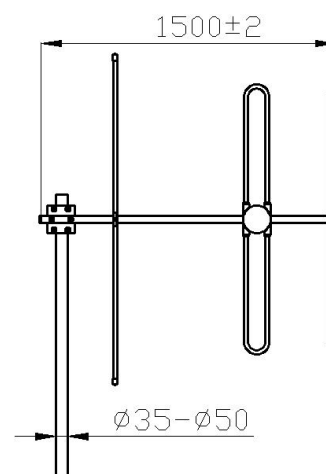


# TDJ-100A3 YAGI 3 Elements FM Antenna

- Yagi 3 elements antennas for FM band
- All parts of the antenna are DC grounded from lightning protection
- All black design

Specifications	
Model	TDJ-100A3
YAGI Antenna	
Freq. Range-MHz	88 to108
Gain-dBi	6.5
Vertical Beam width-°	H:120 E:68
VSWR	≤2:1 on12MHz bandwidth@98MHz
Nominal impedance-Ω	50
Polarization	Vertical or horizontal
Max. Power-W	100
Type of Connection	N-Female
Machine Guide Line	
Length-mm	1500×1560
Colour	Black
Weight-g	1800
Mounting on master tube(mm)	φ35 to φ50
Temperature range-(°C)	-40 to +65
Wind resistance(Km/h)	120



## KENBOTONG TECHNOLOGY CO., LTD.

Addr : NO.2 Chanxiu Road ,Foshan city,Guangdong China

Code: 528061

Tel: 86(757)8202-5597, 8221-9788

Fax : 86(757)8221-2072,8802-2808

Email: kbt@kenbotong.com

web: <http://www.kenbotong.com>