

TDJ-0305DS

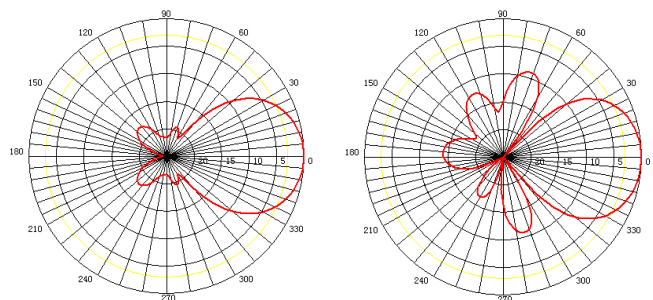
Directional Antenna

Technical Sheet



Features

- Broad band, low VSWR
- High gain, high F/B Ratio
- Long-distance communication, strong anti-jamming ability
- High quality aluminum alloy material
- Strong adaptability of environment
- The connector with a low loss cable
- Suitable for detecting system of environment, remote sensing & telemetry system or video communications system etc.



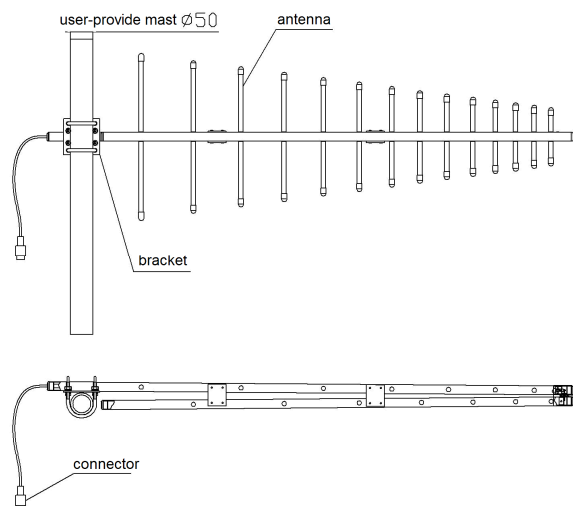
E Plane

H Plane

Specifications

Model	TDJ-0305DS
Freq. Range (MHz)	380 to 500
Beamwidth(degree)	E:50 H:65
Gain (dBi)	11
F/B Ratio (dB)	≥22
VSWR	≤1.5
Polarization	Vertical
Max.Power (W)	200
Impedance (Ω)	50
Connector	N female or customized
Weight (Kg)	1.6
Dimensions (cm)	116x36
Antenna Color	Aluminum alloy primitive colors
Mast Diameter-mm	40 to 50

Installation Sketch



1. Install as figure, polarization is chosen as needed, fix the antenna on the mounting mast;
2. Adjust the antenna azimuth to maximize the signal, tighten all the screws, and then waterproof the connector.



Kenbotong Technology Co., Ltd.

Add : NO.2 Chanxiu Road, Foshan City, Guangdong China
 Code:528061 Tel : 86(757)8202-5597 8221-9788, Fax :
 86(757)8221-2072,8802-2808 Email: kbt@kenbotong.com web:
<http://www.kenbotong.com>