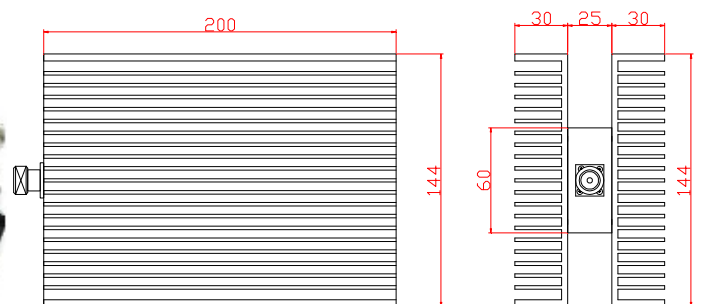




Kenbotong Technology Co., Ltd.

200W Dummy Load/Termination Load(Square,Indoor)

Main Specifications	
Part Number	KL-200-NM/NF-V
Operating Frequency(GHz)	DC-3.0
Impedence(Ohm)	50
VSWR	≤1.2: 1
Application	Indoor
Average Power,Maximum(W)	200
Interface	N Male or N Female
Operating Temperature(°C)	-40 ~ + 80
Net Weight(g)	2260 ± 50
Dimensions(mm)	See Below Outline Drawing
Connector Material	Brass
Inner Contact Plating	Silver
Outer Contact Plating	Trimetal
Body Material	Aluminum





Kenbotong Technology Co., Ltd.

Product Picture

Outline Drawing