

**KBT****2400-2500MHz 18°18dBi Directional Antenna****KDP2-D2400BGT18****Application**

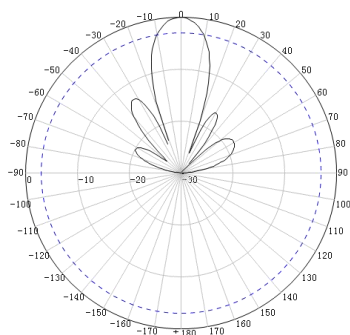
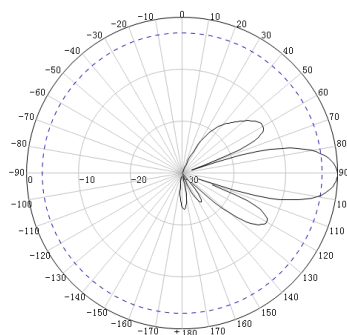
Wi-Fi MIMO Directional Antenna

**Electrical specifications**

Frequency range (MHz)	2400-2500
Polarization	VP+HP
Gain (dBi)	18
Electrical Downtilt (°)	0
Nominal Horizontal Plane 3-dB BW(°)	18
Nominal Elevation Plane 3-dB BW(°)	18
Front-to-back ratio (dB)	≥20
Isolation (dB)	≥20
Impedance (Ω)	50
VSWR	≤2.0
Maximum power (W)	50
Lighting protection	DC Ground

**Mechanical specifications**

Connector	2*NK
Connector position	Back
Antenna size (mm)	380*380*33
Packing size (mm)	540*470*230
Weight (kg)	Antenna 2.2KG, Bracket 1.7KG
Radome material	ASA
Radome color	White
Mechanical tilt (°)	-30 - +30
Operating temperature (°C)	-40-+65
Rated wind velocity (m/s)	55
Suitable pole diameter (mm)	D34-114
Mounting kit	JM-VB4A

**2400-2500MHZ H-Plane****2400-2500MHZ E-Plane**

Kenbotong reserves the right to change specifications without prior notice.

No.2 ChanxiuRoad, Foshan, Guangdong, China. 528061 Tel: +86-757-82219788

Fax: +86-757-82212072

Email: kbt@kenbotong.com Web: http://www.kenbotong.com



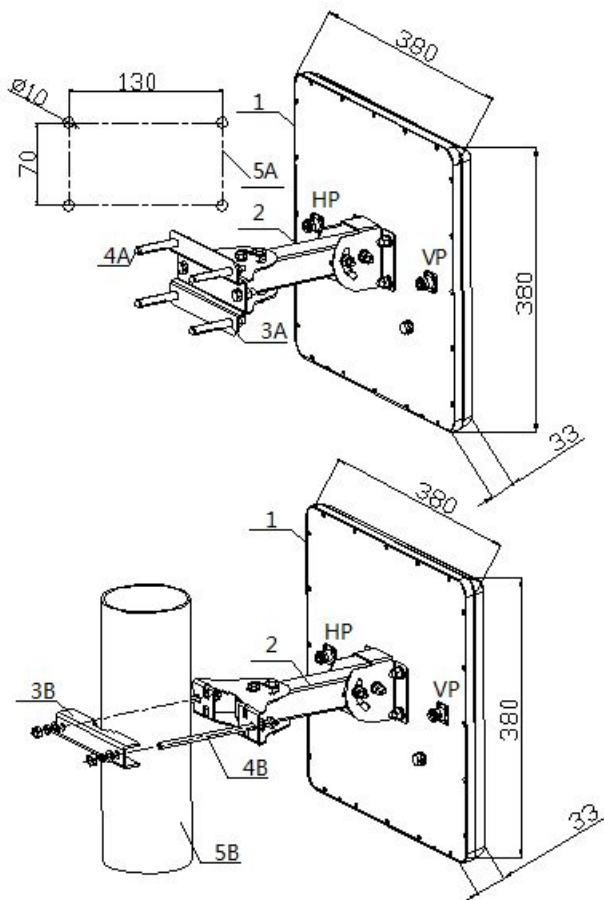
**KBT**

**2400-2500MHz 18°18dBi Directional Antenna**

**Antenna Picture**



**Installation Sketch**



Wall Installation		
1, Antenna	2, Bracket	3A, Installation Board
4A, M8*80mm Expansion Bolt		5A, Installation Hole

Pole Installation		
1, Antenna	2, Bracket	3B, Installation Board
4B, Bolt	5B, Mast Supplied By Customer	

Kenbotong reserves the right to change specifications without prior notice.

No.2 ChanxiuRoad, Foshan, Guangdong, China. 528061 Tel: +86-757-82219788 Fax: +86-757-82212072

Email: kbt@kenbotong.com Web: http://www.kenbotong.com