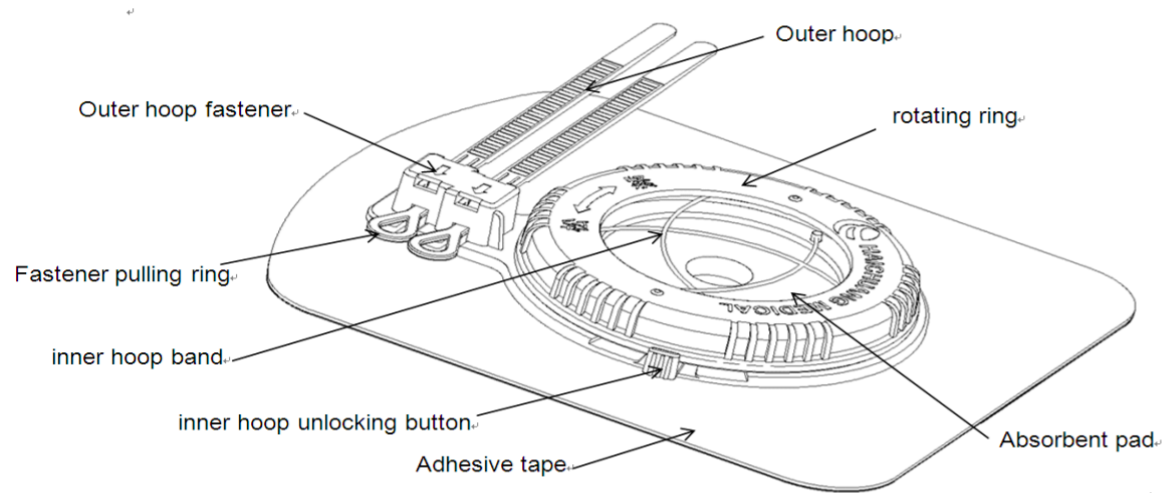


PRODUCT INTRODUCTION

LOOPIX® DRAINAGE TUBE FIXING DEVICE PATENT

Drainage Tube Securement Device is suitable for the fixation of all indwelling drainage tubes without any secondary damage to the skin, completely improved the traditional 'suture fixation' method and reducing the risk of drainage tube displacement and accidental extubation.

COMPOSITION OF PROUDUCT STRUCTURE



PRODUCT CATALOGUE

PRODUCT NAME :Drainage Tube Securement Device

BRAND/TRADE MARK:LOOPIX

MODEL:GD8090-A

MATERIALS:PSA,PET,HYDROCOLLIOD

PRODUCT COMPONENTS:The device is composed of adhesive tape, absorbent pad, rotating ring, Outer hoop, Outer hoop fastener, fastener pulling ring, inner hoop band and inner hoop unlocking button.

VALID DATE:30 MONTHS

STORAGE: -10°C~30°C ,Keep dry.

INTENDED USE:Intended to fix the drainage tube which can replace fixing with suture needles. And it can help minimize catheter movement and accidental removal to avoid secondary skin damage.

APPLICABLE TUBE SIZE:6fr - 36fr

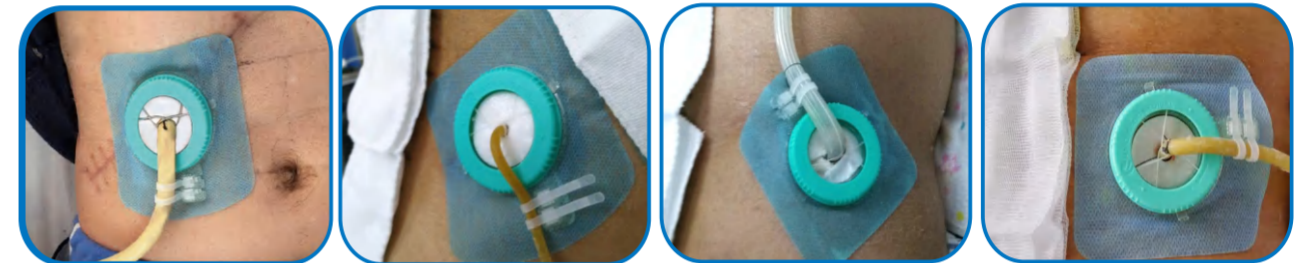
DIMENSIONS:

Area of Adhesive tape	Inner diameter of rotating ring	Outer diameter	Thickness of Rotating ring
90mm X 80mm	30mm	50mm	8mm

PACKING DETAILS:10sets per box, 20 boxes per carton

Total: 200 sets per carton

Clinical Trial Case Picture:



Zhejiang Haichuang Medical Device Co., Ltd.

Product name: Surgical Incision Closure Set

Trade mark: BI-FIX®

Registration number: 20162650103

License number: 20160009

Packing size: Please see catalogue

Scope of application: Obstetrics and gynecology, general surgery, orthopedics, paediatric surgery, thoracic surgery, orthopedics and minimally invasive surgery

Storage: Store at room temperature, sealed, cool and dry place, avoid direct sunlight

Validity period: 30 months

Address: 1st Floor, No. 146, East Chaofeng Road, Yuhang Economic And Technological Development Zone, Yuhang District, Hangzhou, China

Contact: 01186-18616652496

Fax: 01186-571-87178683

Website: www.zjhcytl.com



LOOPIX®

Drainage Tube Fixation Device Product Catalog