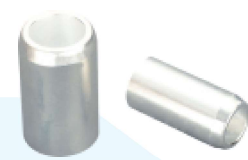
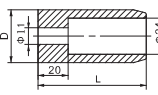


Types and installation dimensions for high-voltage primary static contact

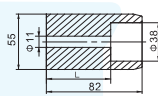


high-voltage primary static contact



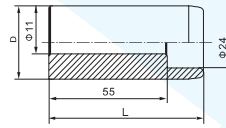
Type	D	L
8WXJ.551.001	35	72
8WXJ.551.002	35	82
8WXJ.551.003	49	72
8WXJ.551.004	49	82

(4) Configuration and installation dimensions for 8XL.551.001-004



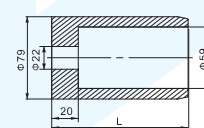
Type	L
8WXJ.551.005	55
8WXJ.551.006	20

(5) Configuration and installation dimensions for 8XL.551.005-006



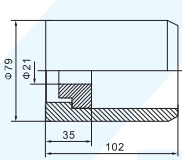
Type	D	L
8WXJ.551.020.1	35	72
8WXJ.551.020.2	49	82

(1) Configuration and installation dimensions for 8XL.551.020.1-2

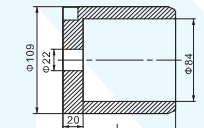


Type	L
8WXJ.551.007	102
8WXJ.551.008	107

(6) Configuration and installation dimensions for 8XL.551.007-008

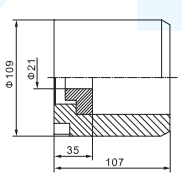


2 Configuration and installation dimensions for 8XL.551.010

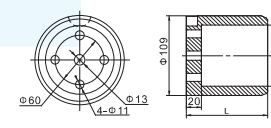


Type	L
8WXJ.551.009	107
8WXJ.551.010	102

(7) Configuration and installation dimensions for 8XL.551.009-010



(3) Configuration and installation dimensions for 8XL.551.011

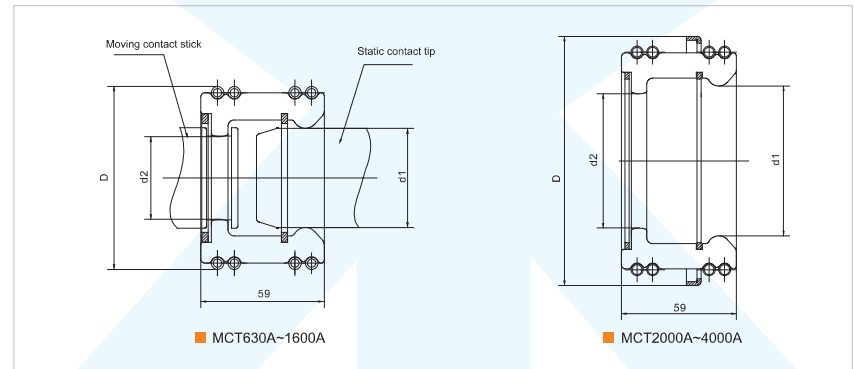


Type	L
8WXJ.551.011	107
8WXJ.551.012	112

(8) Configuration and installation dimensions for 8XL.551.011-12



Configuration and installation dimensions for CT-630A~4000A series club contact



CT-630A~3150A series club contact tip

No.	Type	Contact plate No.	D	d1	d2	The diameter for static contact	The diameter of fixed groove for moving contact	Remark
1	MCT-630A-12	12	Φ74	Φ33.5	Φ26	Φ35	Φ28	
2	MCT-630A-24	24	Φ74	Φ33.5	Φ26	Φ35	Φ28	
3	MCT-1250A-30	30	Φ88	Φ47.5	Φ40	Φ49	Φ42	
4	MCT-1600A-36	36	Φ94	Φ53.5	Φ46	Φ55	Φ48	
5	MCT-2000/2500A-48	48	Φ128	Φ77.5	Φ70	Φ79	Φ72	
6	MCT-2500/3150A-64	64	Φ158	Φ107.5	Φ100	Φ109	Φ102	
7	MCT-4000A-82	82	Φ158	Φ107.5	Φ100	Φ109	Φ102	