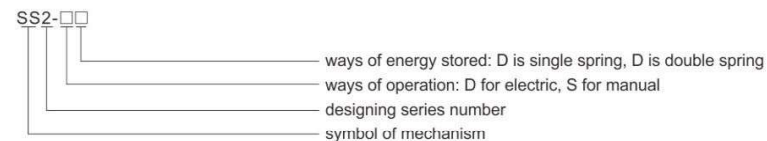




XING JI ELECTRIC
OPERATING MECHANISM

Model meaning

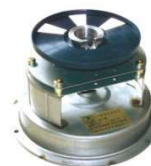


Range of appliance

SS2-D□ spring single coil operation mechanism is the operation mechanism of FLN36B-12D/T630-25 indoor alternation high voltage SF6 load switch. It is applicable for XGN15-12 fixed AC metal enclosed switch cabinet, specially used for the operation of the load switch in the compact prefabricate substation.

Operation instruction

Spring single mechanism has three position operation of controlling opening, closing and grounding for the load switch. The angle of the mechanism output shaft is "80° +80° ". When it is opening, clockwise rotation for 80° ,and the load switch is closing, on the contrary, anticlockwise rotation for 80° , and the grounding switch is closing.



■ SS2-SD Manual spring single mechanism

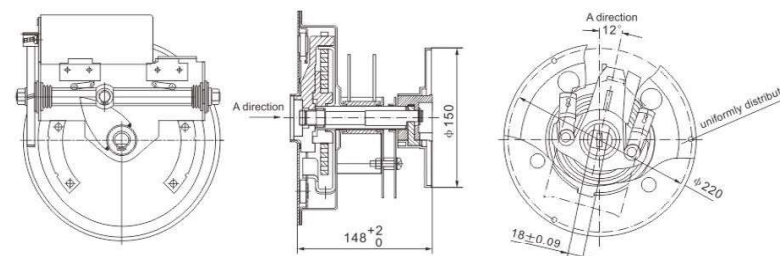


■ SS2-SD Electric spring single mechanism



■ 3XS.820.002F Spring single electric part

SS2-□D boundary dimensions and installation dimensions



■ Note: If you have any special needs about closing and opening velocity, please give clear indication when ordering.

SS2 novel spring mechanism



■ SS2-SS novel manual spring mechanism ■ SS2-DS Novel electric spring mechanism ■ 3XS.882.001F Spring double electric part

The range of appliance

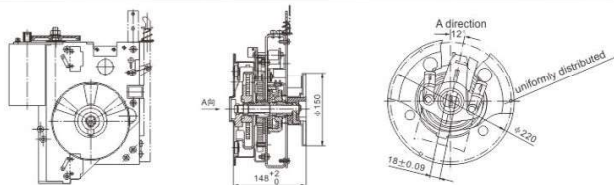
SS2-□S double spring operating mechanism is the operating mechanism of FLRN36B(48)-12D/T100-31.5 indoor AC high voltage SF6 load switch-fuse combination electrical apparatus. It is applicable for XGN15-12 fixed AC metal enclosed cabinet, and it can ensure the safety of the electrical apparatus under total operating model.

Operating instruction

Except the same functions of SS2-□D single spring operating mechanism, Double spring operating mechanism adds a fuse tripping mechanism according to the combination electrical apparatus, leading load switch opening, when fuse is breaking.

Attention: If changing the same fusion tube for the fuse breaking, please plug the operating handle into the operating hole of the mechanism, anticlockwise rotation, making the transmission of mechanism reset with smaller force, and then, operate by the operating process of the cabinet.

SS2-□S boundary dimensions installation dimensions and technical parameter

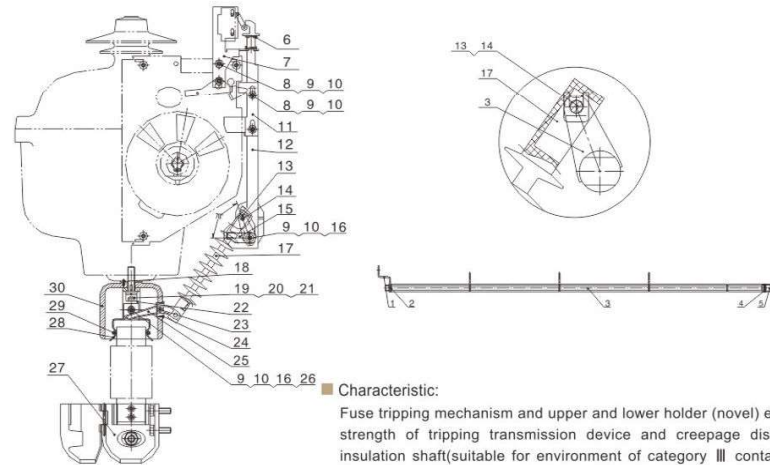


■ Note: If you have any special needs about closing and opening velocity, please give clear indication when ordering.

No.	program name	unit	value
1	rated voltage(motor)	V	DC220V/, 110V, 48V, 24V
2	electric operation (energy stored) time	S	≤10
3	average closing speed(with body)	m/s	4.5±1.5
4	average opening speed(with body)	m/s	4.5±1.5
5	the max torque of manual operation	N.m	≤130
6	the max time of activating the release	ms	50-60
7	the power of hitting the release	J	2-5
8	mechanism endurance of the load switch	times	5000
9	mechanism endurance of the grounding switch	times	2000
10	the max attitude of equipment installation	m	2000
11	the max temperature	°C	40
12	the lowest temperature	°C	-25

Fuse tripping mechanism upper and lower holder (new) boundary dimensions

■ Fuse tripping mechanism and upper and lower holder (novel) 3XS.084.003F



■ Characteristic:

Fuse tripping mechanism and upper and lower holder (novel) enhances strength of tripping transmission device and creepage distance of insulation shaft(suitable for environment of category III contaminative area). It is suitable for SS2-SS novel manual spring mechanism or Spring double electric operating mechanism.

Assembling table of fuse tripping mechanism upper and lower holder (new) 3XS.084.003F

No.	name	symbol	mount	number	name	symbol	mount
1	bracket	8XS.043.052F	1	16	screw M6*16	GB2672-1986	7
2	bearing sleeves	8XS.263.025F	1	17	insulation pulling bar	8XS.743.004F	3
3	tripping transmission	5XS.206.078F	1	18	pin 3*8	GB/T119.1-2000	6
4	shaft welding	GB/T879.1-2000	1	19	scrow M10*40	GB/T70.1	3
5	tripping shaft	8XS.205.027F	1	20	washer 10	GB93-1987	3
6	returning spring	8XS.288.083F	1	21	washer 10	GB/T97.3-2000	3
7	upper fixed board	8XS.100.059F	1	22	wire board	8XS.150.033F	3
8	screw M6*12	GB2672-1986	4	23	pin 5*12	GB/T119.1-2000	3
9	washer 6	GB93-1987	11	24	fixed frame	8XS.087.001F	3
10	washer 6	GB/T97.3-2000	11	25	crutch	8XS.151.059F	3
11	dial plate	8XS.150.034F	1	26	nut M6	GB/T6170-2000	6
12	linking board	8XS.135.077F	1	27	lower out coming holder	5XS.104.010F	3
13	blocking card	DK-6	6	28	assembling plum contact	8XS.559.010F	3
14	pin shaft	8XS.205.028F	3	29	contact spring	8XS.288.036F	3
15	Crutch	8XS.151.060F	1	30	upper contact	8XS.045.005F	3