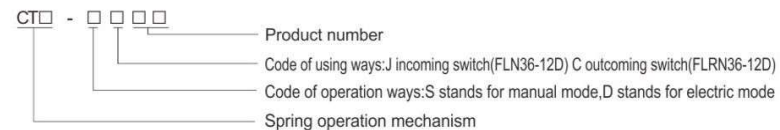




XING JI ELECTRIC
OPERATING MECHANISM

Model composition and meaning



Description

CT spring operation mechanism is used to be the corollary equipment of PLRN36-12D/T100-31.5 and FLN36-12D/630-20 indoor high voltage SF6 load switch, with rated voltage of 12kv. The version is according to the principle of the spring released during passing half. There are three stations of closing, tripping and grounding. It is characterized for its medium volume, convenient equipment appliance and strong adaptability. There are the function of the fuse tripping and the shunt trip coil. The mechanism conforms to the relevant requirements of the GB3804-1990 <<3-63KV high voltage alternation load switch>>, GB16926-1997 <<alternation high voltage load switch-fuse-combination unit>>.

CT-□J (K) spring operation mechanism

Manual in-coming line spring operating mechanism
Code: CT-□-SJ(K Type)
Diagram code: 3WXJ.085.001



Note: The stander is DC. The special stander of EU is DR.

Electoral in-coming line spring operating mechanism
Code: CT-□-SJ(K Type)
Diagram code: 3WXJ.085.001+3WXJ.085.002



Note: If custom need the incoming line mechanism alone, the diagram code is 3WXJ.085.002

The operating instruction of CT-□J (K) spring operation mechanism

Closing operation of the load switch

Plugging the operating handle into the under hole of closing operating shaft (lower right corner) clockwise rotation for about 180°, the mechanism leads the contact to complete the closing operation of load switch.

Closing operation of the load switch

Rotating the operating handle anticlockwise for 180°, completing this operation.

Grounding operation of the load switch

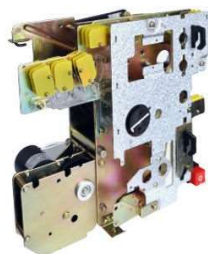
Plugging the operating handle into the operating shaft hole with anticlockwise for 180°, the mechanism lead the contact complete the grounding closing quickly. Contrarily when it comes to the tripping operation of the grounding switch, just plugging the operating handle into the grounding shaft anticlockwise for about 180°.

CT□-□C (A) spring operation mechanism

■ Manual in-coming line spring operating mechanism
Code: CT□-□-SJ(K Type)
Diagram code: 3WXJ.085.001



■ Electrol out-coming line spring operating mechanism
Code: CT□-□-SJ(K Type)
Diagram code: 3WXJ.085.001+3WXJ.085.002



■ Note: If custom need the incoming line mechanism alone,
the diagram code is 3WXJ.085.002

The operating instruction of CT□-□C (A) spring operation mechanism

The closing operation of the load switch

Plugging the operating handle into the hole of the closing operation shaft (lower right corner) clockwise rotation for 180°, the mechanism leads the contact to complete the closing operation of the load switch quickly. At the same time the spring with energy storage is ready for tripping.

The opening operation of the load switch

Just stirring the tripping by opening button, the opening spring energy is released, and mechanism leads the principal shaft to complete the opening operation quickly.

The grounding operation of the load switch

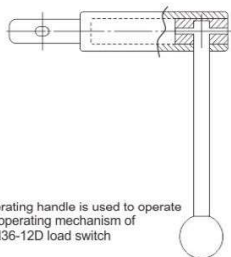
The grounding operation of CT□-□C /XJ (A) spring operation mechanism is same to the CT□-□C (K).

Note: 1. The spring operation mechanism with outgoing line include the functions of the fuse tripping, manual tripping knob. In addition, it can include tripping coil and overcurrent tripping coil.

2. If users order electric spring operation mechanism, please note the rate of voltage (such as DC220, DC110, DC48, DC24)

3. If users need the shunt trip coil, please specify the rate of the voltage, or it is recognized the same voltage level as the electric operating motor.

CT□ operation handle 5WXJ.253.027



■ Characteristic: CT operating handle is used to operate
spring operating mechanism of
FL(R)N36-12D load switch

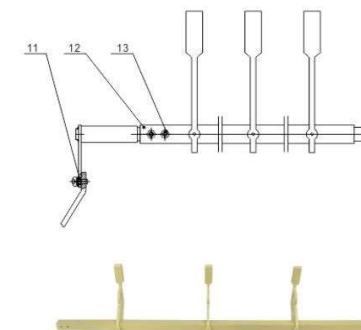
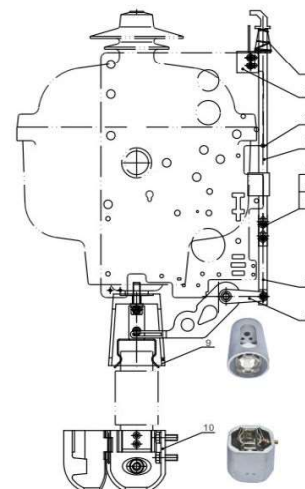
Lower interlocking equipment 5WXJ.362.007



■ Characteristic: It is used to link mechanism, body and lower
door interlock.

Fuse tripping installation

■ Fuse tripping installation: FLN.5XJ.174.080



■ Characteristic: Fuse device makes out-coming mechanism
sub-lock when the fuse tube is fusing.

FLN.5XJ.174.080 program for fuse tripping installation

No.	Item	Code	Qty	ramark
1	Returning spring	8XS.288.083F	1	
2	Upper fixed board	FLN.8XJ.100.081	1	
3	Linking board	FLN.8XJ.174.078	1	
4	Gasket	GB93-1987	5	
5	Hexagon socket pan head screws M5*12	GB/T 2672-2004	5	
6	Plain washer-A rate5	GB/T97.1-2002	5	
7	Tripping indication board	FLN.8XJ.174.079	1	
8	Tripping dowel steel group	5XS.233.002F	1	
9	Upper fuse base assembling	FLN.5XJ.045.005	3	
10	Lower outcoming base assembling	5XS.104.010F	3	
11	Bushing	8XS.263.017F	2	
12	Tripping bar assembling	FLN.5XJ.174.079	1	
13	Hexagon socket head cap screws M5*20	GB/T 70.1-2000	2	