

Aluminium Pergola

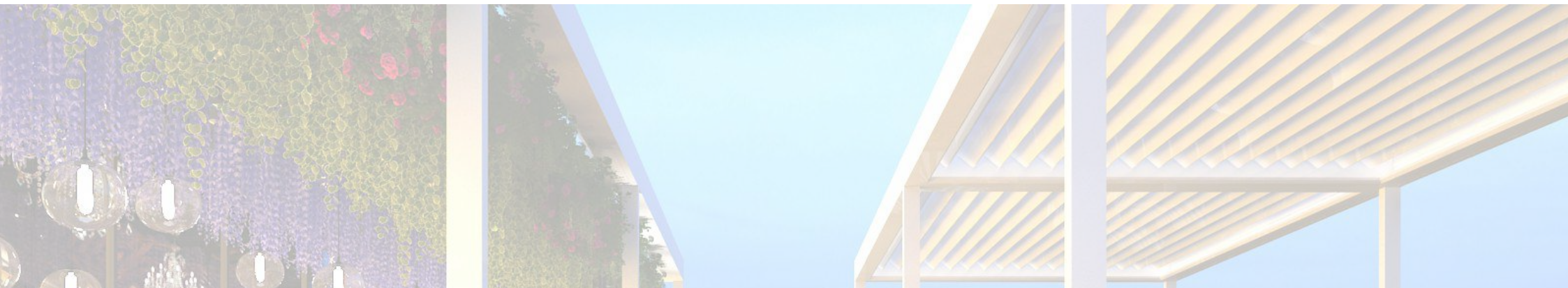
WWW.SUNLEVER.CN



Contents

- Product Description (01)
- Function (02)
- Applications (03)
- Category (04-08)
- Standard Size (09)
- Advantage (10-16)
- Installation Instructions (17)
- Components (18-19)
- Relevant Products (20)
- About Us (21)

Product Description



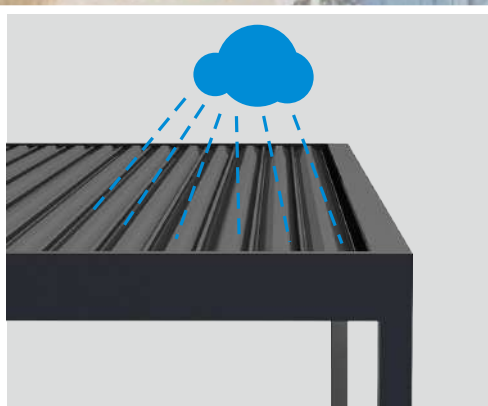
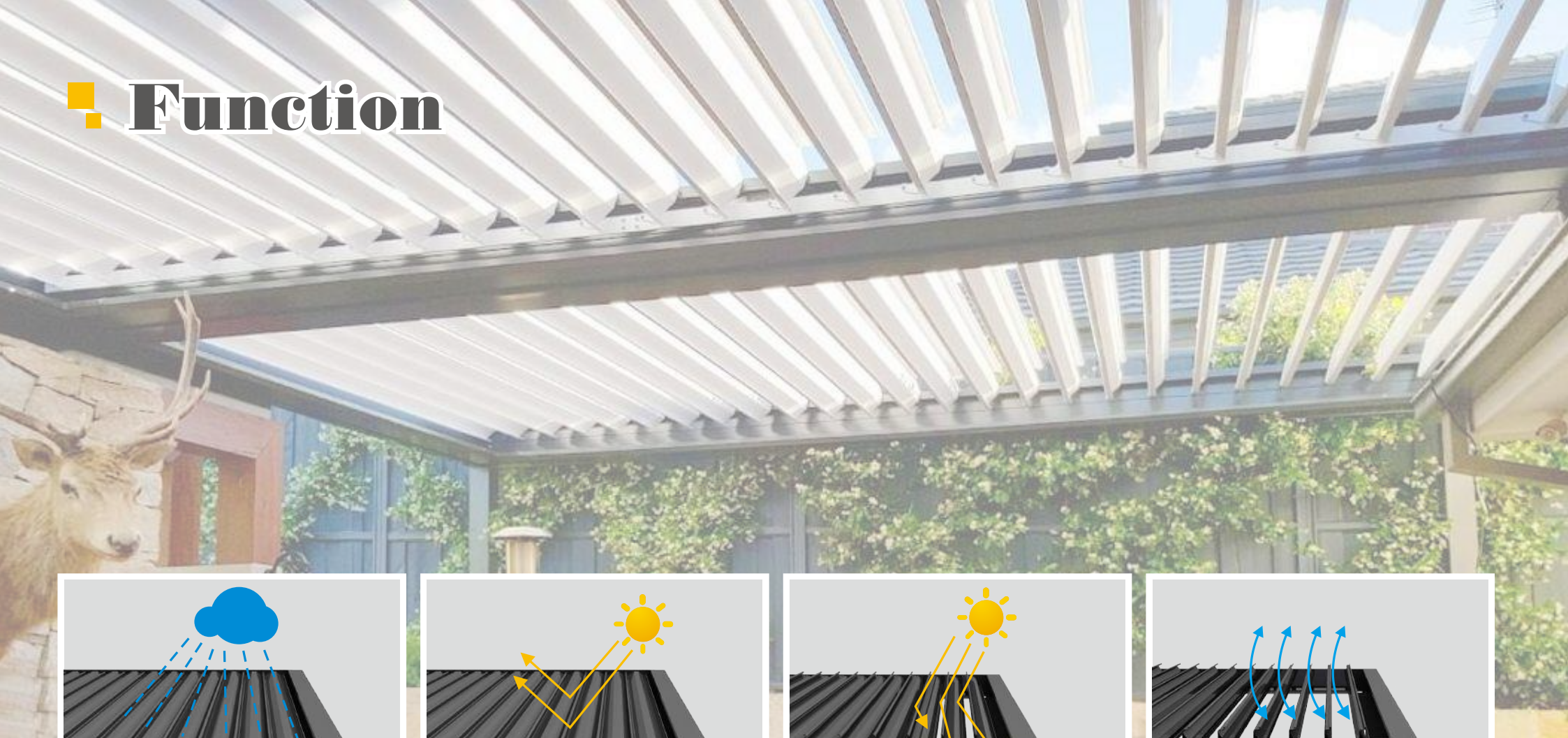
Patented Design

5 Models Optional

The First 6-meter-long
Louver Blade Design
In ASIA

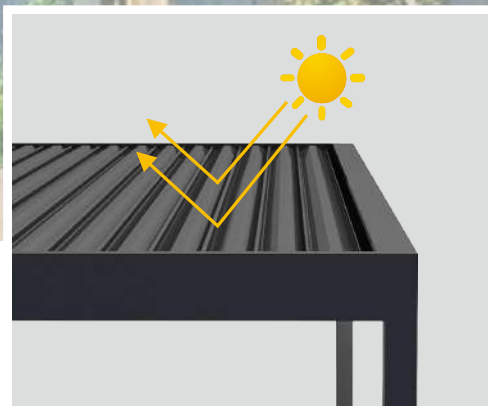


Function



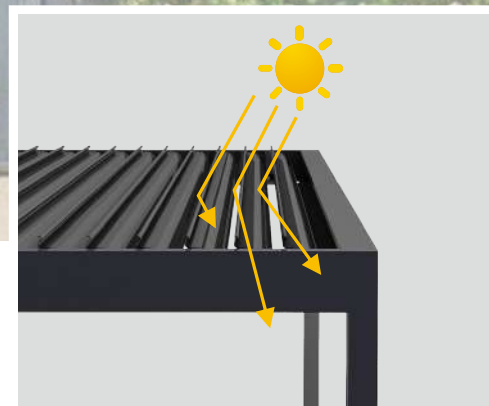
Rubber Strip Build Into The Louver Blade

To reach 100% waterproof.



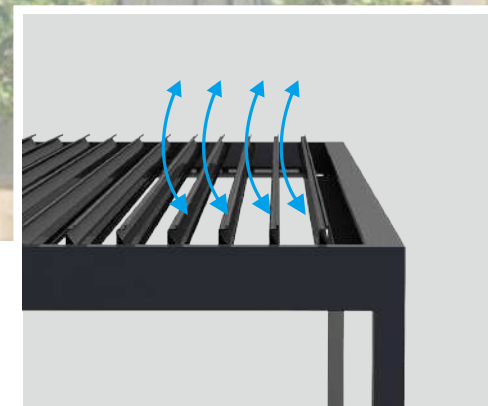
Double-layer Louver Blade

To realize shading and heat insulation.



0-120° Opening And Closing Angle

To adjust light through refraction.



80% Ventilation Effect

To create a good ventilated environment.

Applications



House



Home-stay



Swimming Pool



Balcony

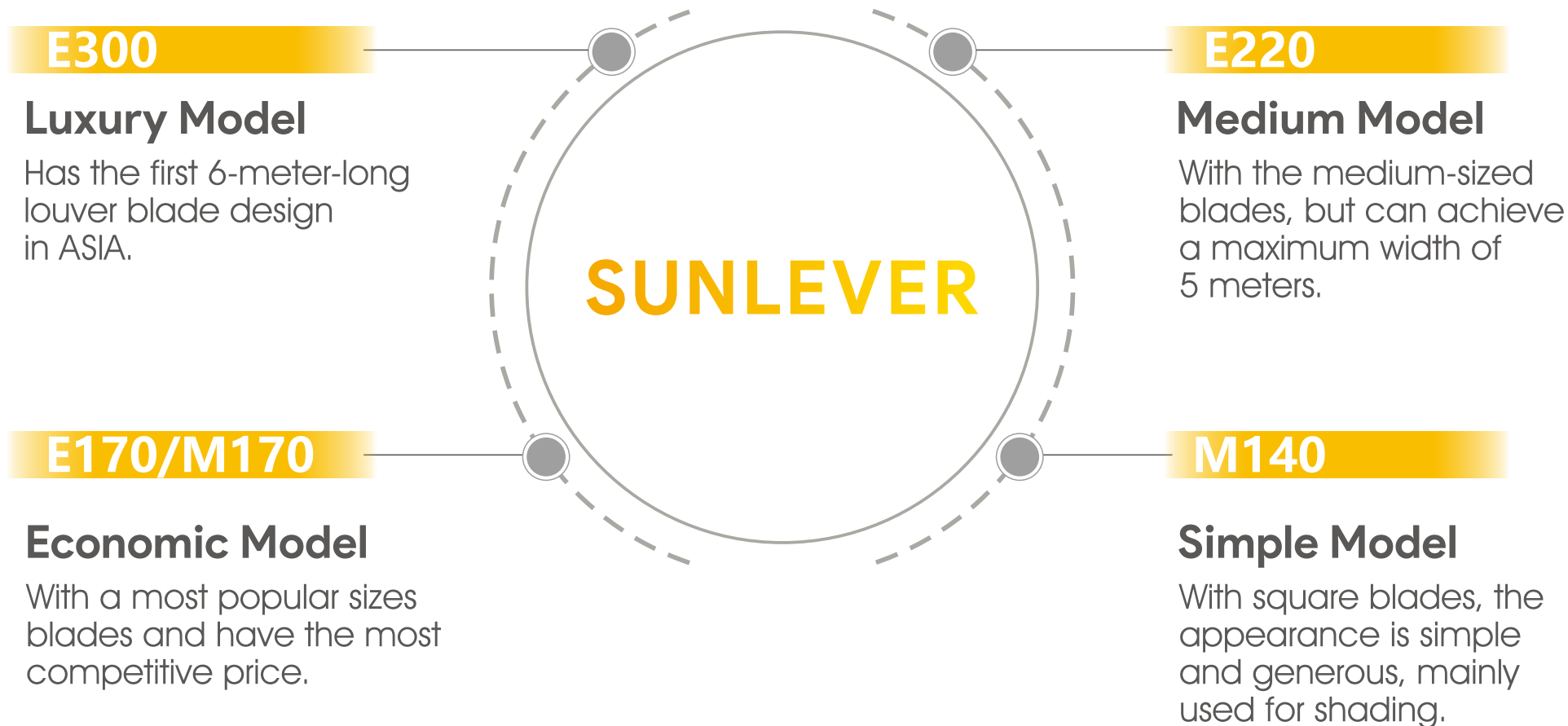


Hotel



Pavilion

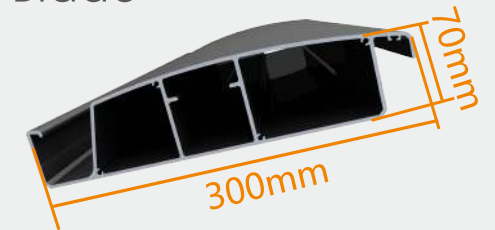
Category



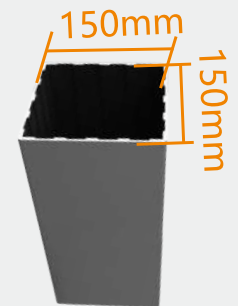
E300 Luxury Model



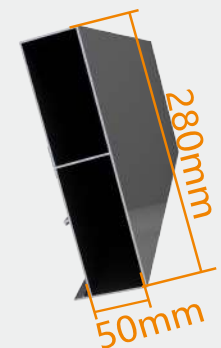
Blade



Post



Beam



Product Features: Has the first 6-meter-long louver blade design in ASIA.
Operating Mode: Electric control.

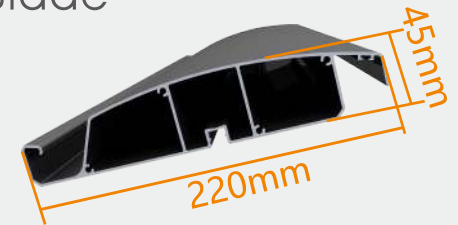
E220 Medium Model



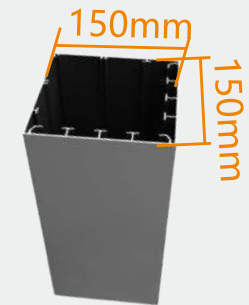
Product Features: With the medium-sized blades, but can achieve a maximum width of 5 meters.

Operating Mode: Electric control.

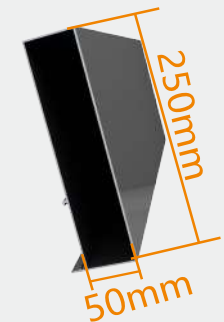
Blade



Post



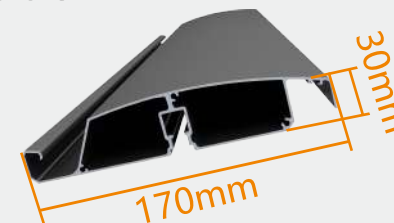
Beam



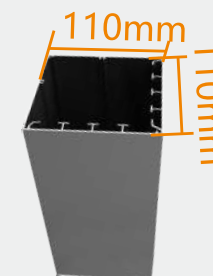
E170/M170 Economic Model



Blade



Post



Beam



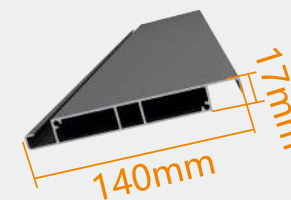
Product Features: With a most popular sizes blades and have the most competitive price.

Operating Mode: Electric control/Manual control.

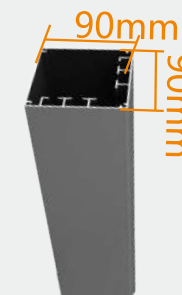
M140 Simple Model



Blade



Post



Beam



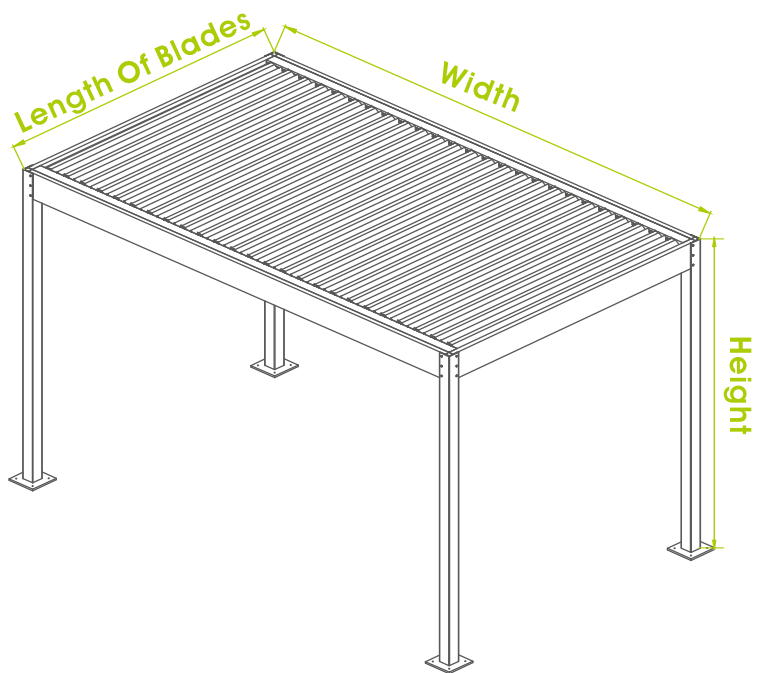
Product Features: With square blades, the appearance is simple and generous, mainly used for shading.

Operating Mode: Manual control.

Standard Size

		Width (mm)			
		3000	4000	5000	6000
Length Of Blades (mm)	3000	▲ ■ ★	▲ ■ ★	▲	▲
	4000	●	● ▲ ■	● ▲	● ▲
	4500		●	●	●

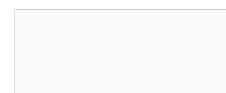
注：● E220 ▲ E170 ■ M170 ★ M140 The size not in the table regard as customized size.



Standard Color



Dark Grey



Matt White

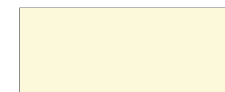
Optional Customize Color



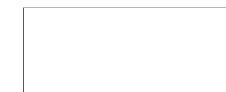
Black



Brown



Yellow



Gloss White

Advantage

Aluminum 6063-t5

Possess strong wind pressure resistance, corrosion resistance, assembly and decoration performance.



Strong Waterproof Performance

100% waterproof.



Well-known Brand Powder

No rust, no maintenance, safe and environmentally friendly, no fading for 20 years.



Easy To Install

The snap-on design of the frame and the post makes the installation convenient and stable.



Quick Drainage System

Drainage rate:
0.07-0.08 l/sec/m².



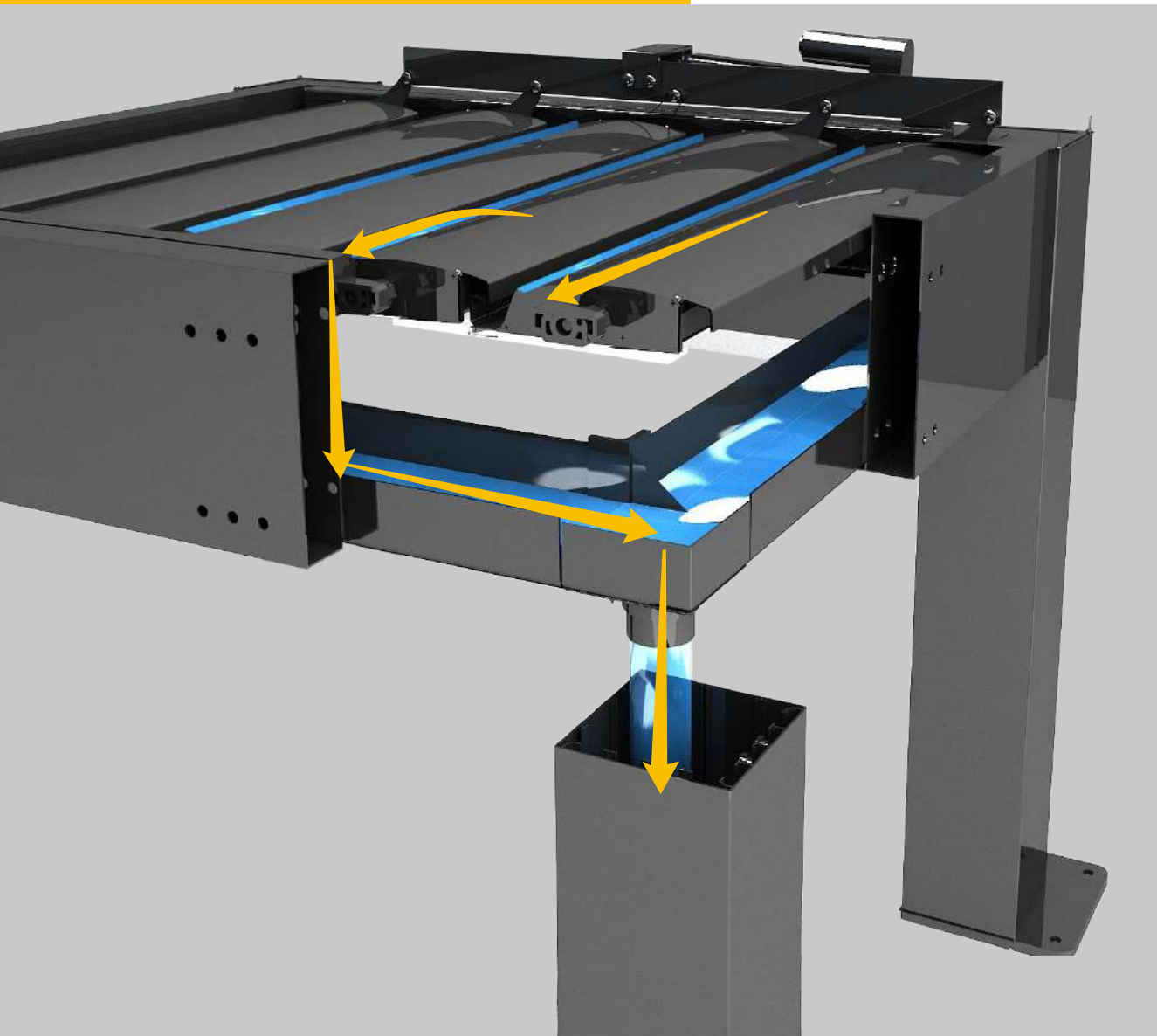
Patented Design

Obtained utility model patents and appearance patent designs.

Aluminum 6063-T5

20 extrusion lines





Strong Waterproof Performance

100% waterproof rubber strip

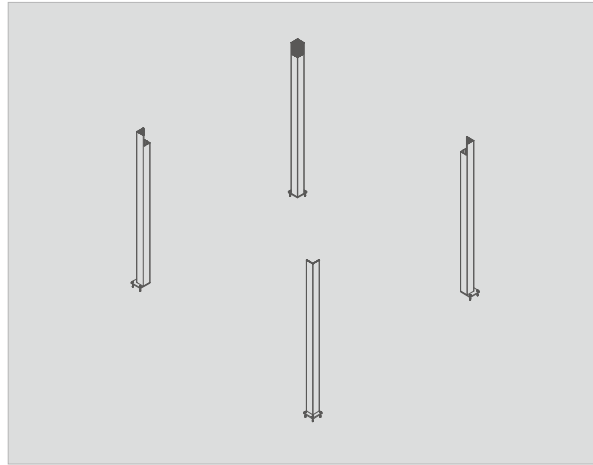


Well-known Brand Powder

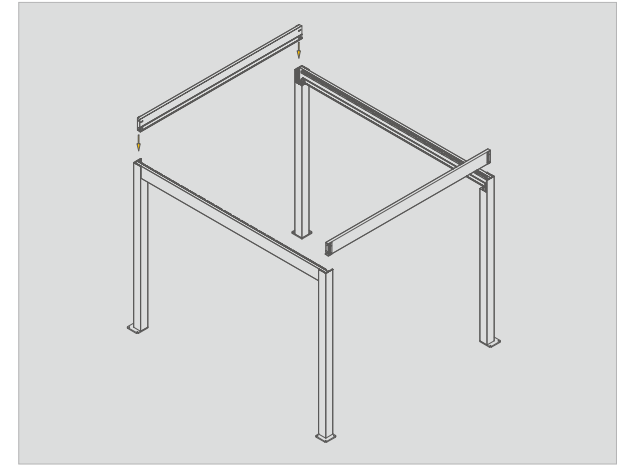
5 powder coating lines



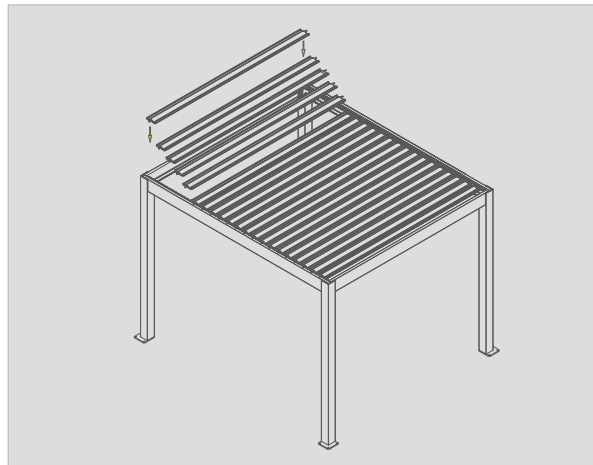
Easy To Install



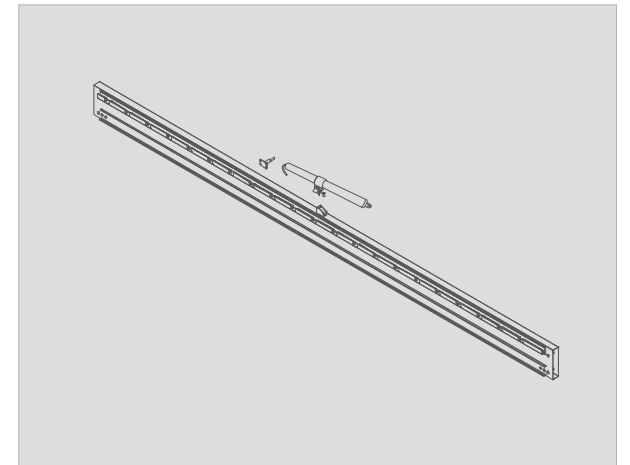
01 Install the post



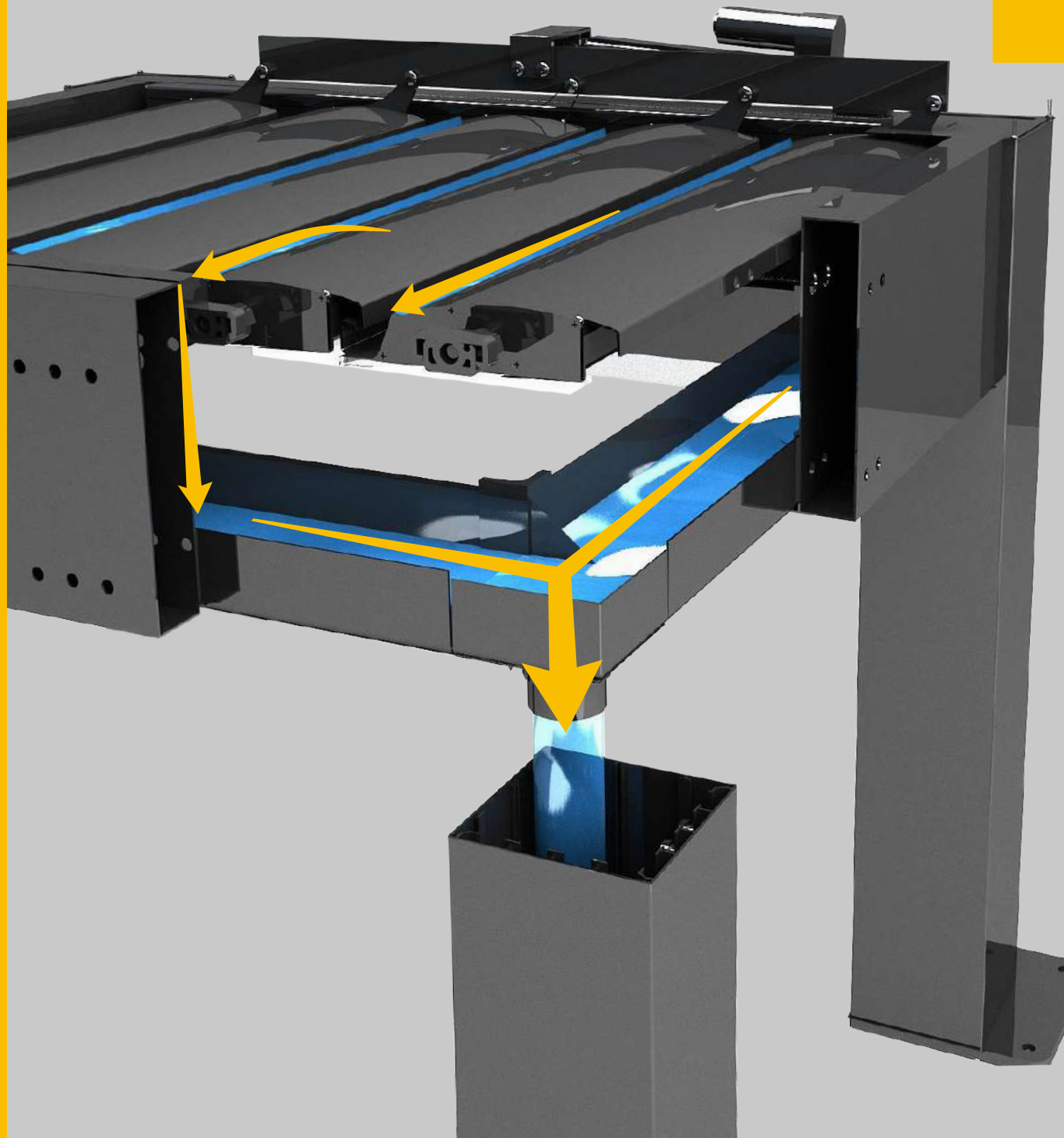
02 Assemble the frame



03 Install the blade



04 Install the motor



Quick Drainage System



Patent Design



Product Installation



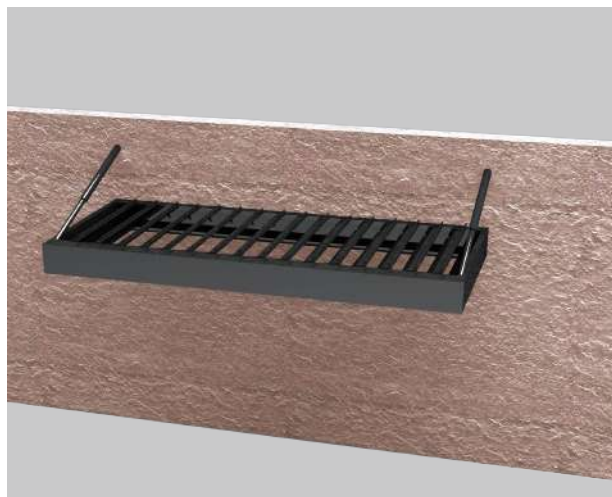
Free Standing
4 posts



Install On 1 Wall
2 posts



Install On A Right-angled Wall (2 Walls)
1 post



Ceiling Installation
No post



Install On A Parallel Wall (2 Walls)
No post



4 Wall Installation
No post

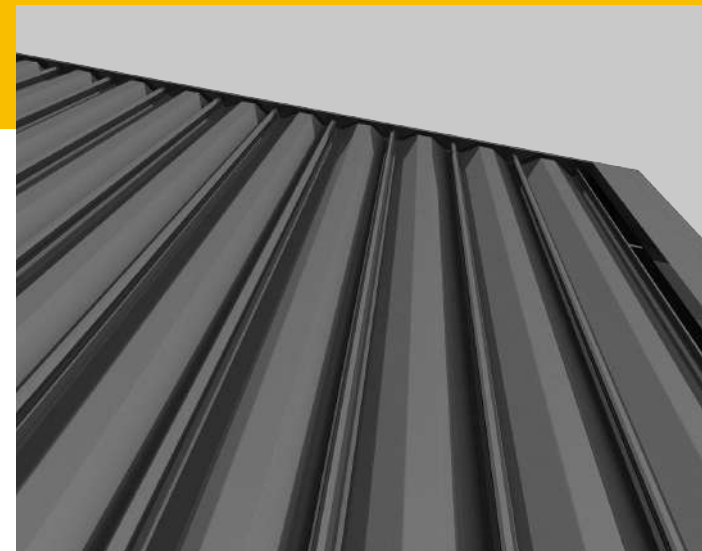
Product Components



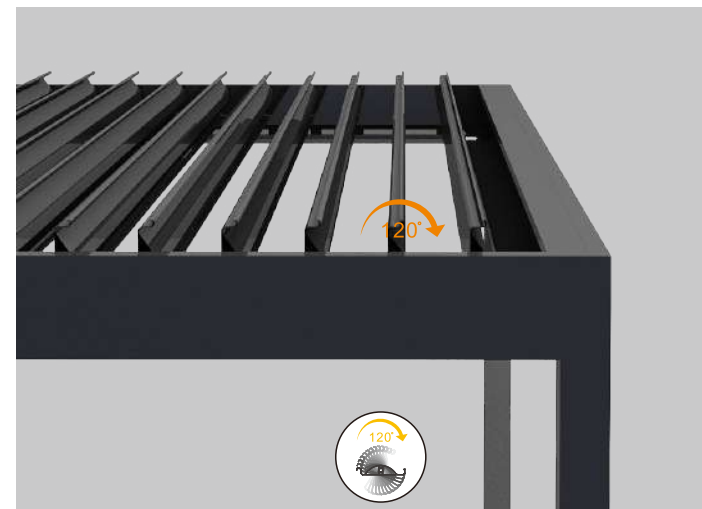
Motor device



Hand crank



Full closed louver roof



The opening and closing angle of the blades: **0-120°**

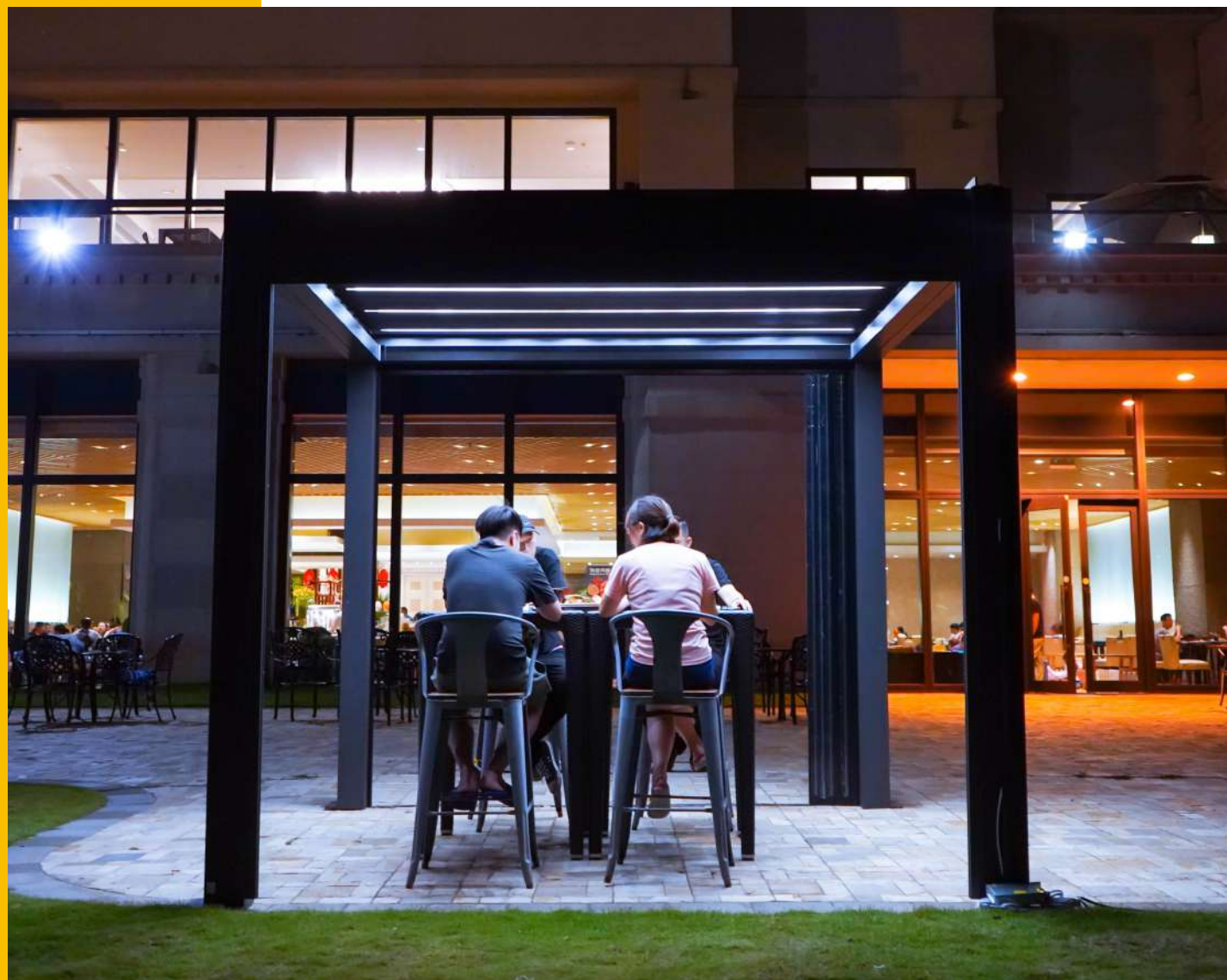
Outdoor Dedicated Waterproof LED Lights

High brightness

Low energy consumption

Fast heat dissipation

Good safety performance



Relevant Products



Electric Zip Screen

Through special design, testing, and processing, the electric zip screen effectively combines the fabric and the metal structure into a whole. It is an excellent product that integrates heat insulation, sunshade, light adjustment, privacy protection.



Aluminium Shutter

Durable, sun shading, heat insulation, light weight, high strength, airtight, safe and stable. The wind pressure resistance value is 300pa-3500pa.



Balustrade And Fence

High strength and corrosion resistance, compared with other traditional materials, aluminium hardness can withstand greater impact and tension. With better flexibility, practicality and ornamental are better integrated.



Blinds

Prevent strong sunlight and ultraviolet effectively. Solve the greenhouse effect of sunlight. Fight against various climate change, have a long-term protective effect on the indoor environment.



Aluminium Screen Window (Door)

With the advantages of fireproof, corrosion resistance, easy cleaning, nice ventilation effect, high strength and stable, Aluminium Screen Window (Door) is the best supporting product for protecting against flies and mosquitoes.

Note:
For more information, please contact our salesperson.



About Us

Guangdong YONGFENG LIHUA Shading Technology Co., Ltd was founded in 2020. The special year, full of unknown and uncertainties, is unforgettable. However, the market, full of potentials and opportunities, is unstoppable. The brand name "SUNLEVER" is stepping towards new start and good future.

Leisurely sunshine and enjoyable outdoors are the components of our healthy and happy life. At the beginning of early stage of R&D and design, sunshine and outdoor have been well integrated into shading products.

SUNLEVER has established R&D team, whole-chain production process and systematic sales service, which makes us have a rich product system, high efficient lead time and confident competitive advantage at the beginning of our establishment!

Feeling the different sunshine is a re-imagining and construction of a better life for our whole-series of sunshade products and accessories!

We will spare no efforts to provide better sunshade solutions to customers! Looking forward to the future, we will keep going and strive to become the world's leading comprehensive supplier of sunshade solution!