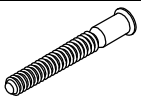
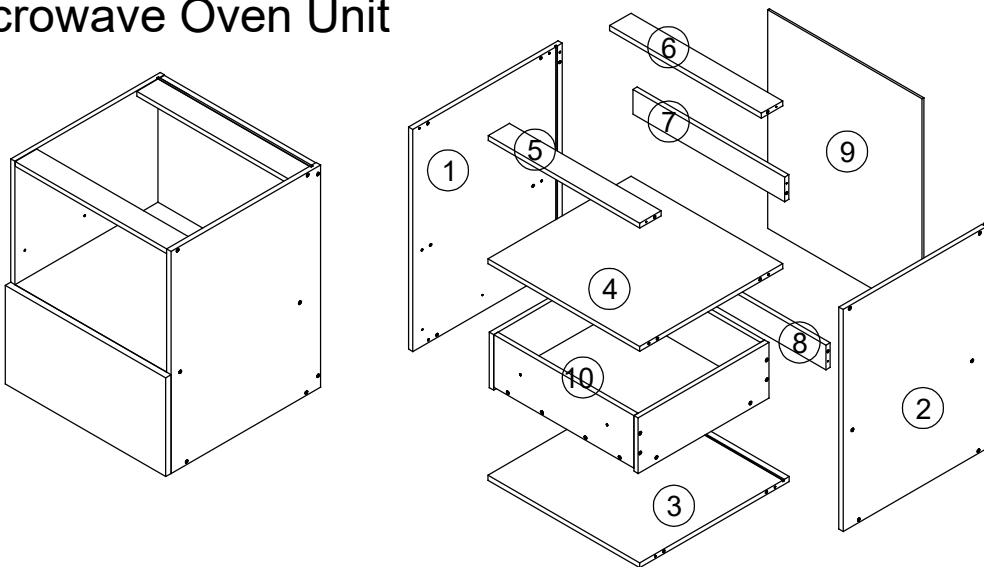
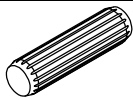


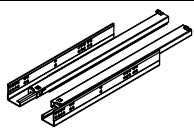
# Base Microwave Oven Unit



A:16pcs  
ø7x48mm



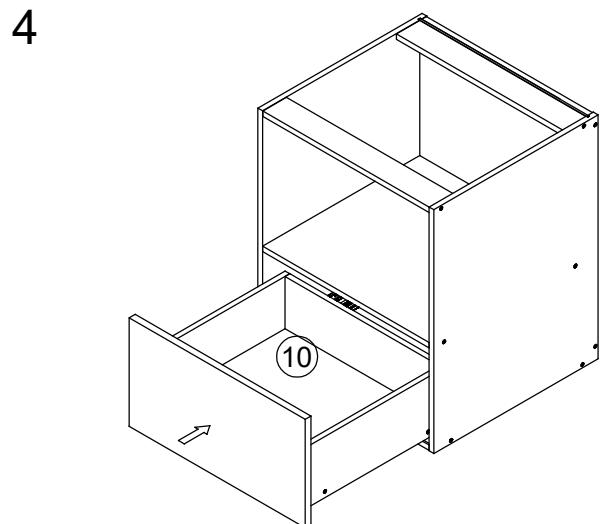
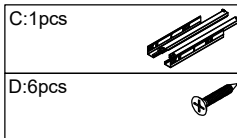
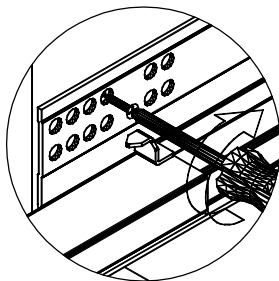
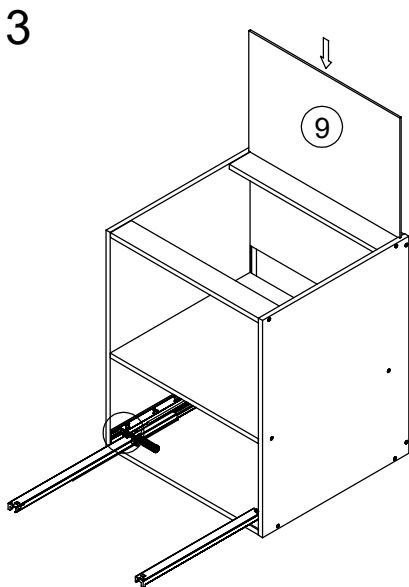
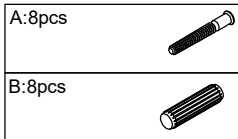
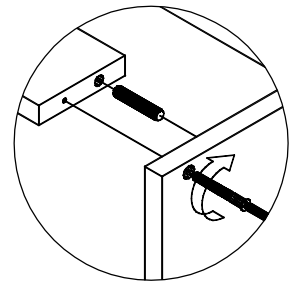
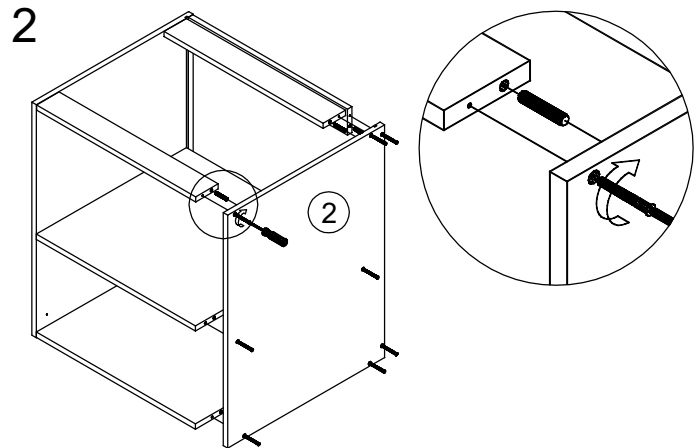
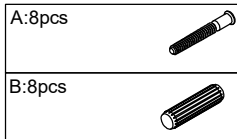
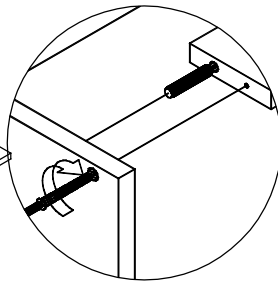
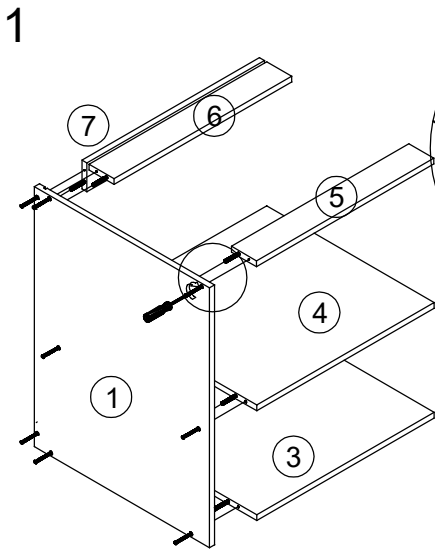
B:16pcs  
ø8x40mm



C:1pcs

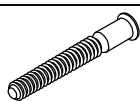
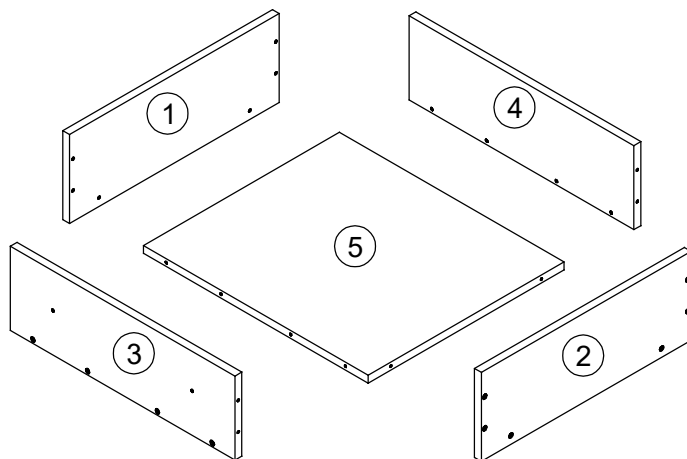
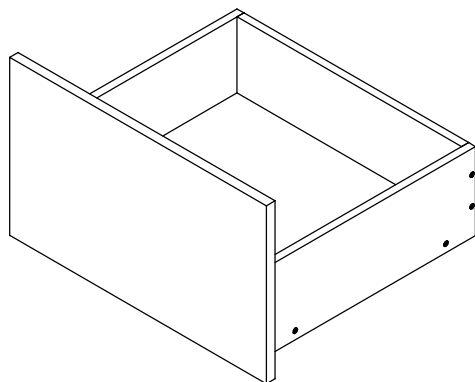


D:6pcs  
ø4x16mm

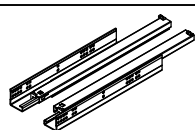


After installing the cabinet, install the drawer box according to the installation instructions of the drawer.

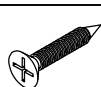
# Drawer Box



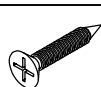
A:20pcs  
ø7x48mm



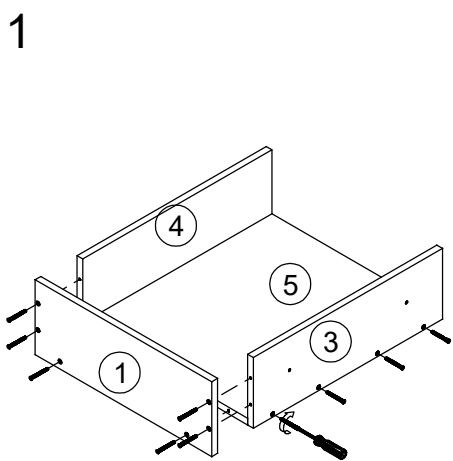
B:1pcs



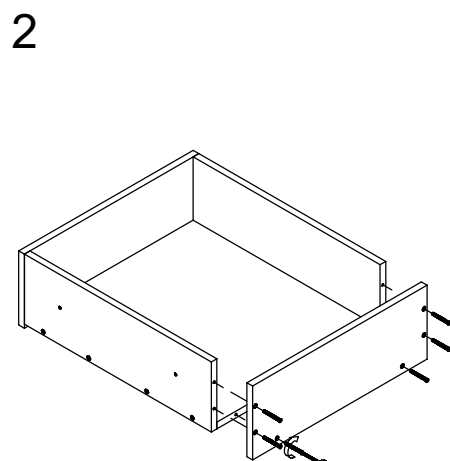
C:2pcs  
ø4x26mm



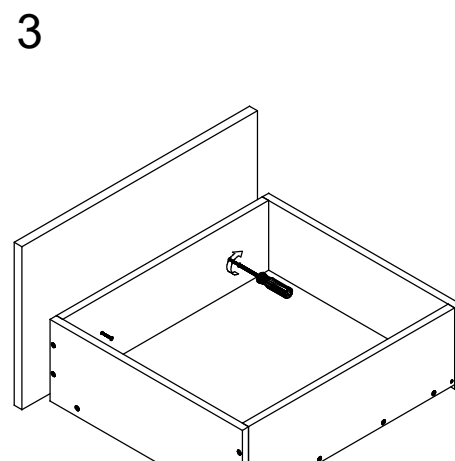
D:10pcs  
ø4x16mm



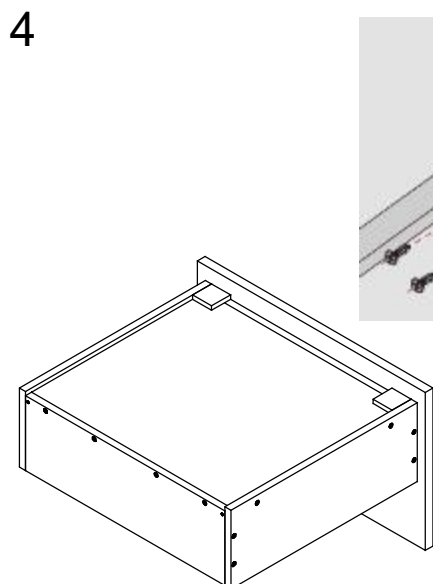
A:14pcs



A:6pcs



C:2pcs



D:10pcs

