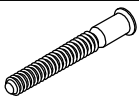
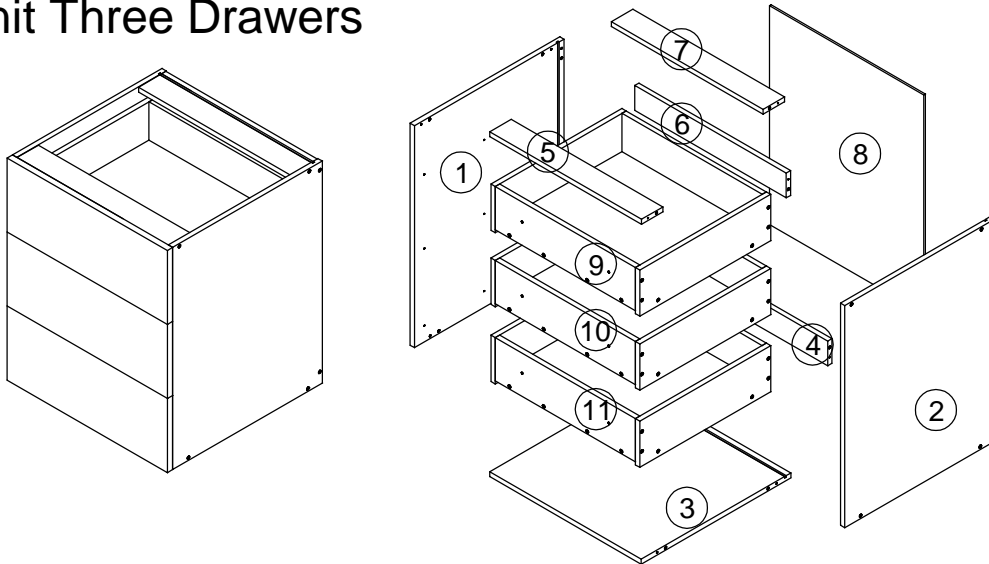
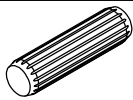


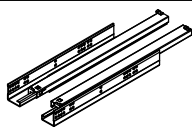
# Base Unit Three Drawers



A:12pcs  
ø7x48mm



B:12pcs  
ø8x40mm

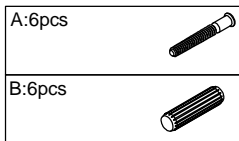
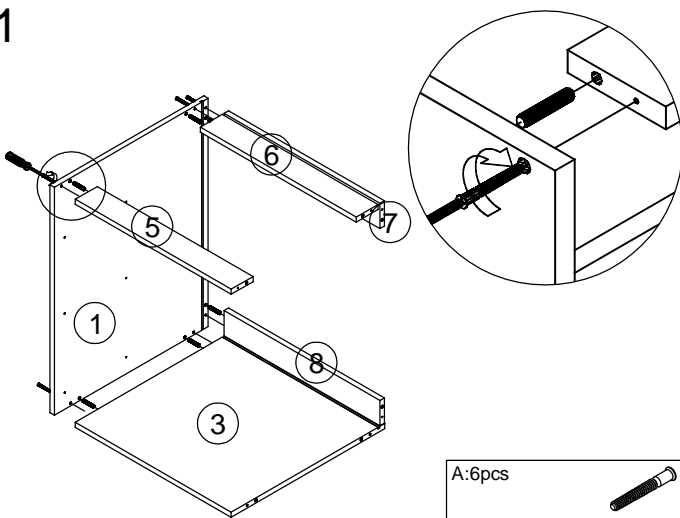


C:3pcs

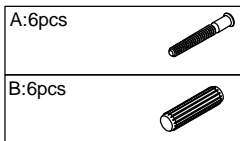
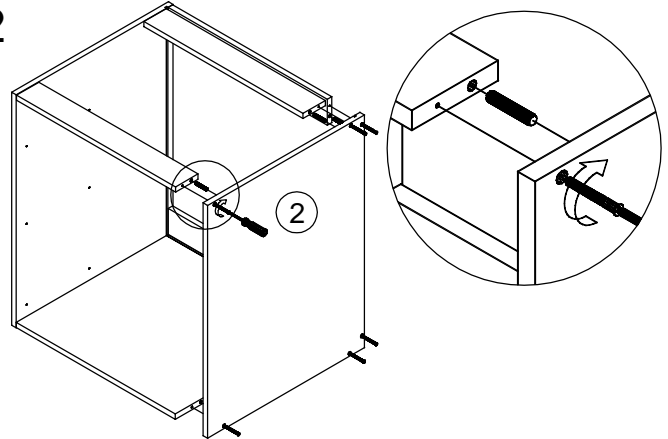


D:18pcs  
ø4x16mm

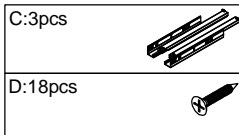
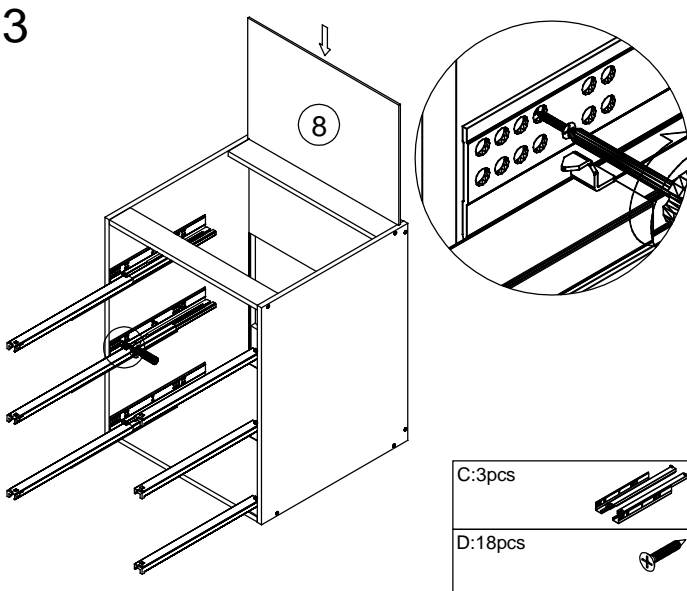
1



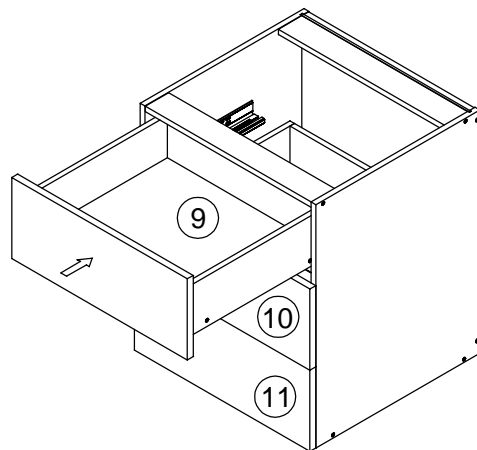
2



3

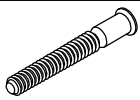
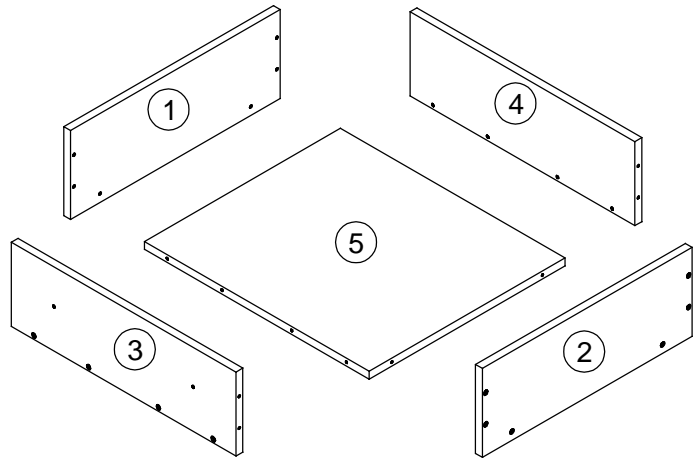
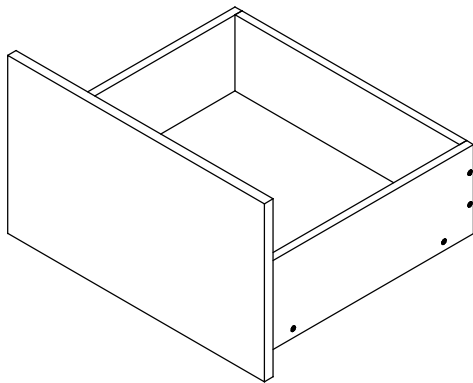


4

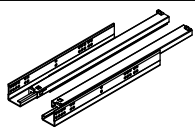


After installing the cabinet, install the drawer box according to the installation instructions of the drawer.

# Drawer Box



A:20pcs  
ø7x48mm



B:1pcs

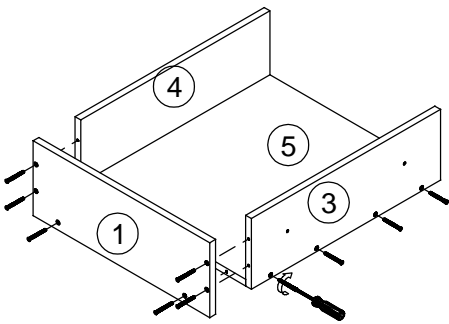


C:2pcs  
ø4x26mm



D:10pcs  
ø4x16mm

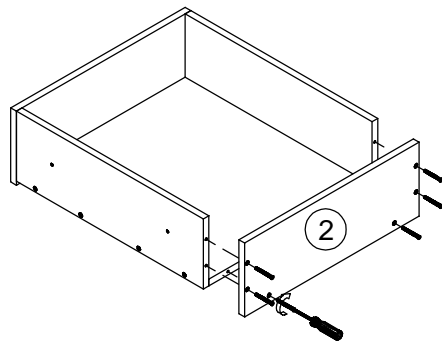
1



A:14pcs



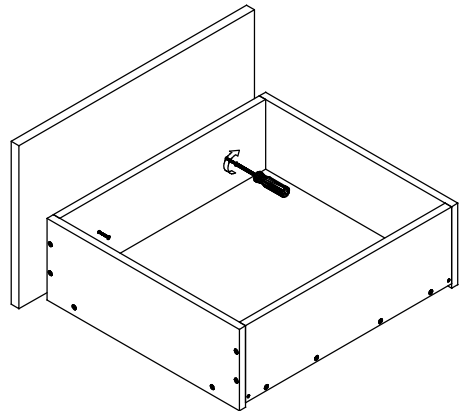
2



A:6pcs



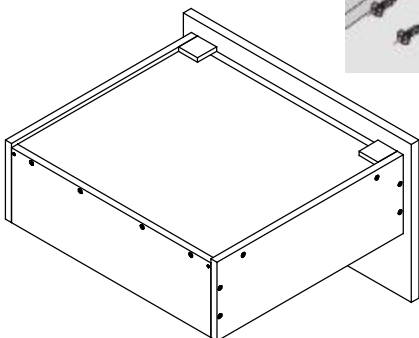
3



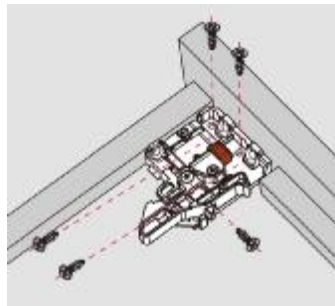
C:2pcs



4



D:10pcs



5

