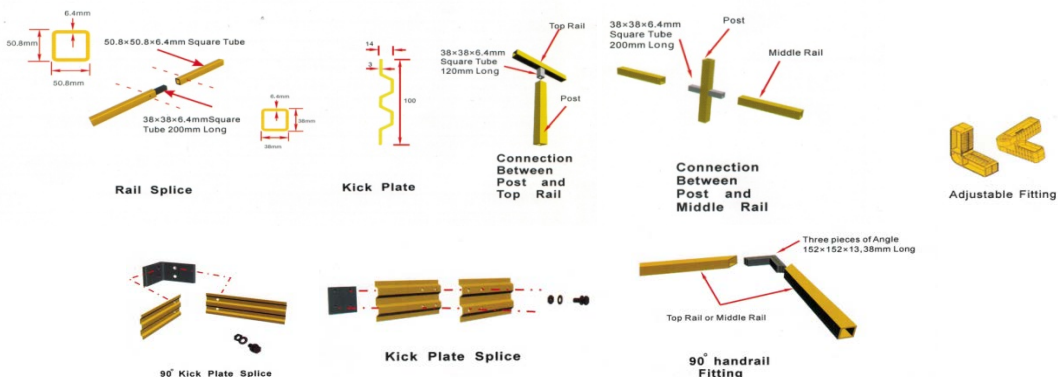
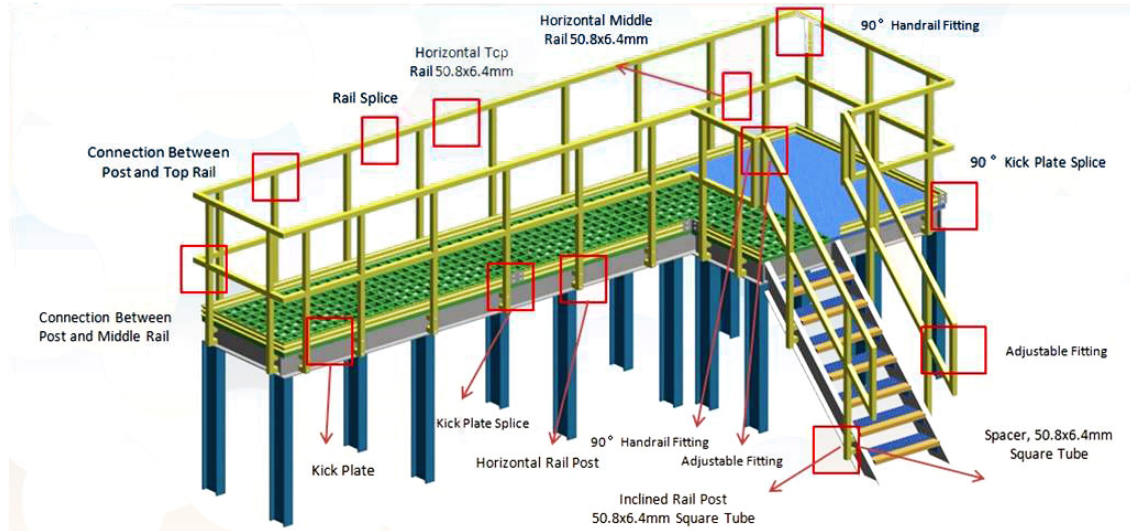


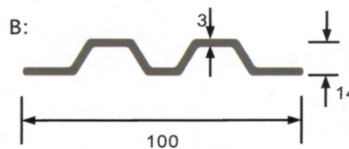
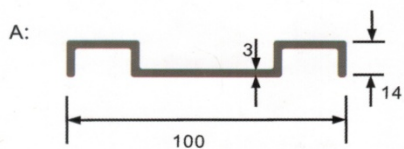
Square Tube Handrail System

Both horizontal or incline posts and rails are permanently joined using rivets and an epoxy compound

Description	Dimensions
Distance between Post	1500mm as a maximum
Height of Handrail	1220mm as a maximum
Horizontal Post, Square Tube	50x50x6.4mm
Incline Post, Square Tube	50x50x6.4mm
Top Rail, Square Tube	50x50x6.4mm
Middle Rail, Square Tube	50x50x6.4mm
Top and Middle Rail Splice, Square Tube	38x38x6.4mm, 200mm long
Connection between Post and Top Rail, Square Tube	38x38x6.4mm, 120mm long
Connection between Post and Middle Rail, Square Tube	38x38x6.4mm, 200mm long
Kick Plate	100x14x3mm
Kick Plate splice, Plate	45mm wide x 101mm long x 6mm thick
90° Kick Plate Splice, Angle	54x29x6.4mm
90° Handrail Fitting	3 pcs of 152x152x13mm FRP angle, 38mm long
Adjustable Handrail Fitting Plastic	39° to 180°
Rivet for Rail to Post and Kick Plate to Post Fitting	4x20mm
Space Material, Square Tube	50x50x6.4mm

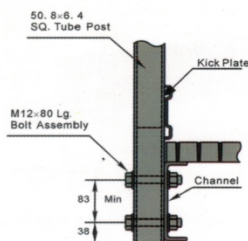


Kick Plate

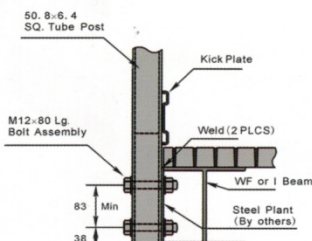


Unit: mm

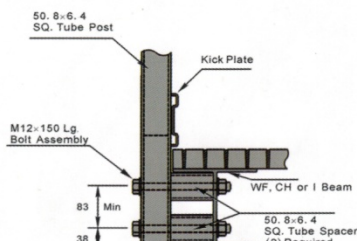
Drawing A-Post to FRP or Steel Channel



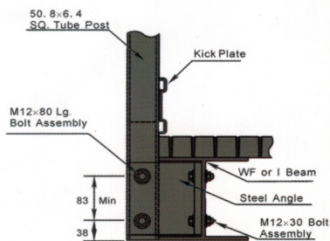
Drawing B-Post to Steel Plant on Steel Beam



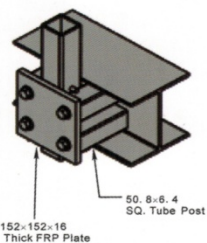
Drawing C-Post to FRP or Steel Beam or Channel with FRP Spacers



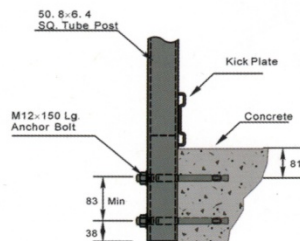
Drawing D-Post to Steel Angle on FRP or Steel Beam



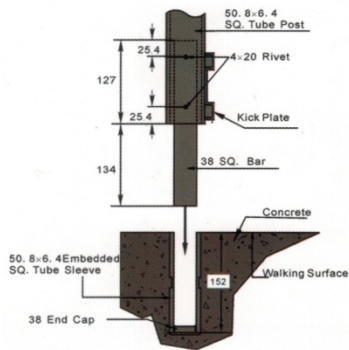
Drawing E-Removable Post to FRP or Steel Beam



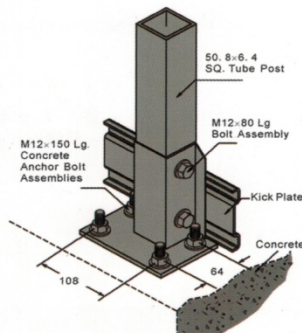
Drawing F-Side Mounted Post



Drawing G-Embedded Post



Drawing H-Top mount Stain-Less Steel Stanchion Base



Drawing I-Top Mount FRP Stanchion Base

