

# Miniature photoelectric sensor PSV series



## Feature description

- Small size, easy to install and use
- With 360° visible bright LED status indicator
- Superior anti-light interference, stable product performance
- Red light source for easy adjustment and alignment



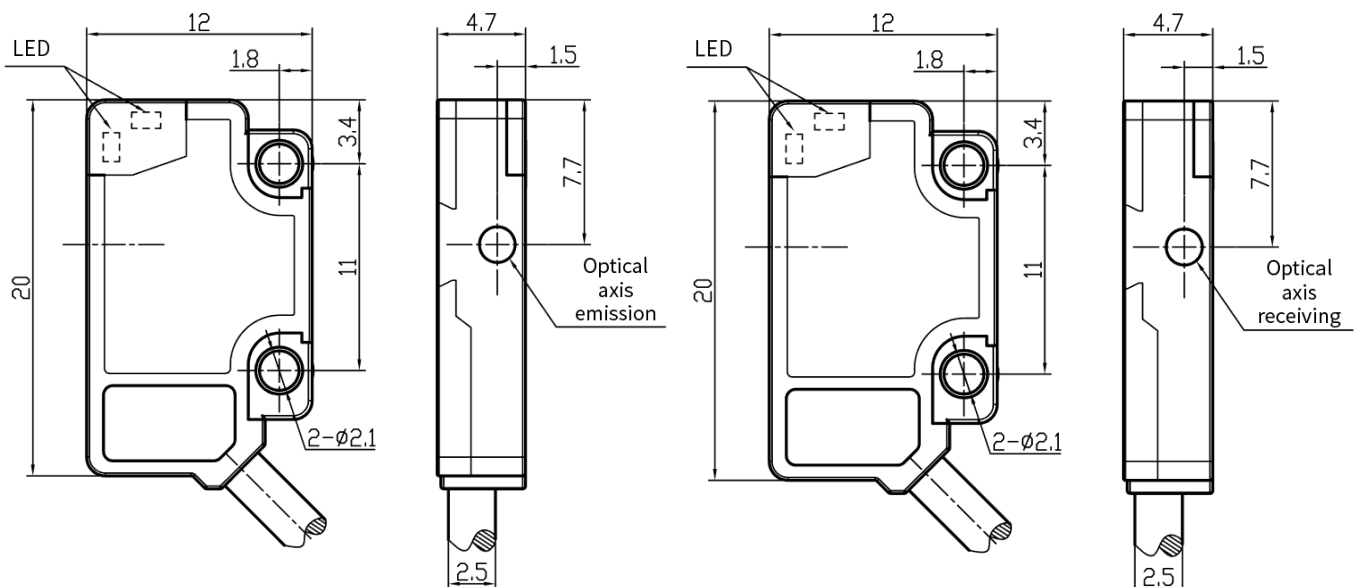
## Model specification

	Emitter	Receiver		Emitter	Receiver
NPN NO	PSV-TC50DR-S	PSV-TC50DNOR-S	PNP NO	PSV-TC50DR-S	PSV-TC50DPOR-S
NPN NC	PSV-TC50DR-S	PSV-TC50DNCR-S	PNP NC	PSV-TC50DR-S	PSV-TC50DPCR-S

## Specifications

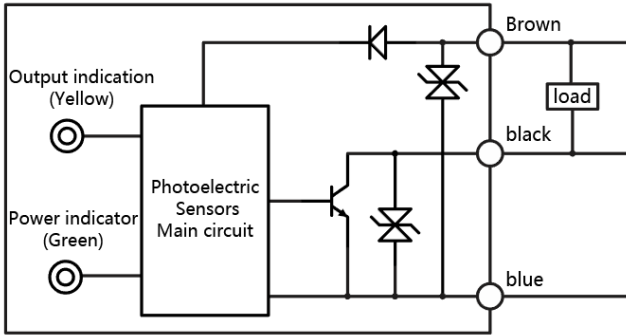
Detection distance	50cm	Response time	<1ms
Standard test body	Φ2mm above opaque objects	Anti ambient light	Sunlight interference ≤10,000 lux Incandescent light interference ≤3,000 lux
Direction angle	<2°	Operating temperature	-20...55 °C
Light spot size	7*7cm@50cm	Storage temperature	-30...70 °C
Supply voltage	10...30VDC	Protection degree	IP65
Consumption current	Emitter:≤10mA;Receiver:≤12mA	Certification	CE
Load current	≤50mA	Shell material	PC+PBT
Voltage drop	<1.5V	Lens	PMMA
Light source	Red light(640nm)	Weight	20g
Protection circuit	Short circuit protection,Polarity protection Overload protection,Zener protection	Accessory	Screws(M2×8mm)×2, Nut×2
Indicator	Green:power,stable indicator;Yellow:output indicator		

## Dimension

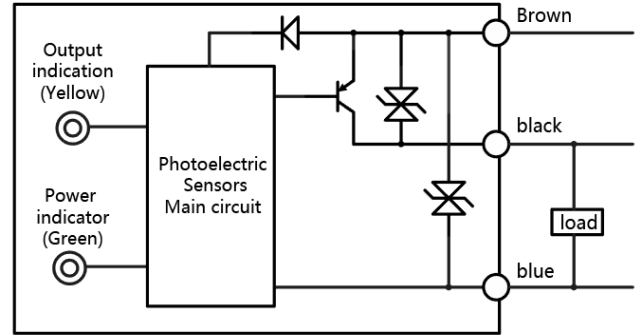


**Wiring diagram**

Receiver



NPN



PNP

Emitter

