

NAMUR inductive sensors **LR12X** series

Features

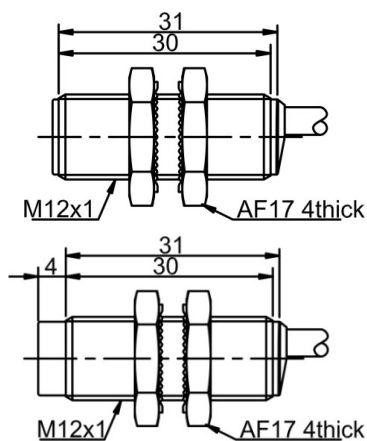
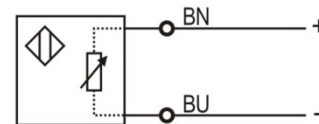
- ◆ Non-contact detection, safe and reliable;
- ◆ Low voltage and current output, suitable for explosive area;


Part number

NAMUR	LR12XAF02FLCN	LR12XAN04FLCN
-------	---------------	---------------

Technical specifications

Mounting	Flush	Non-flush	Load resistance	$\geq 1K\Omega$
Rated distance [Sn]	2mm	4mm	Circuit protection	...
Assured distance [Sa]	0...1.6mm	0...3.2mm	Output indicator	...
Dimensions	M12*31mm	M12*35mm	Ambient temperature	-25°C...70°C
Output	NAMUR		Ambient humidity	35...95%RH
Supply voltage	8.2 VDC		Switching frequency [F]	2000 Hz 1500Hz
Standard target	Fe 12*12*1t	Fe 12*12*1t	Voltage withstand	...
Switch-point drifts [%/Sr]	$\leq \pm 10\%$		Insulation resistance	$\geq 50M\Omega$ (500VDC)
Hysteresis range [%/Sr]	1...20%		Vibration resistance	10...50Hz (1.5mm)
Repeat accuracy [R]	$\leq 3\%$		Degree of protection	IP67
Output current	Triggered $\leq 1mA$		Housing material	Nick-copper alloy
	Not triggered $\geq 2.2mA$		Connection type	2m PVC cable

Dimensions

Wiring diagram


NAMUR