

Unit: inch



Screw Thread		10#	1/4	5/16	3/8	7/16	1/2	5/8	3/4	7/8	1
d		0.1900	0.2500	0.3125	0.3750	0.4375	0.5000	0.6250	0.7500	0.8750	1.0000
PP		24	20	18	16	14	13	11	10	9	8
ds	max	0.199	0.260	0.324	0.388	0.452	0.515	0.642	0.768	0.895	1.022
	min	0.182	0.237	0.298	0.360	0.421	0.483	0.605	0.729	0.852	0.976
dk	max	0.469	0.594	0.719	0.844	0.969	1.094	1.344	1.594	1.844	2.094
	min	0.438	0.563	0.688	0.782	0.907	1.032	1.219	1.469	1.719	1.969
k	max	0.114	0.145	0.176	0.208	0.239	0.270	0.344	0.406	0.469	0.531
	min	0.094	0.125	0.156	0.188	0.219	0.250	0.313	0.375	0.438	0.500

ANSI/ASME B 18.5 - 1978

ANSI/ASME B 18.5 - 1998

ANSI/ASME B 18.5 - 1998

ANSI/ASME B 18.5 - 2008

ANSI/ASME B 18.5 - 2012

Screw Thread		M5	M6	M8	M10	M12	M16	M20
d								
P	Pitch	0.8	1	1.25	1.5	1.75	2	2.5
b	L≤125	16	18	22	26	30	38	46
	125 < L≤200	22	24	28	32	36	44	52
	L>200	/	/	41	45	49	57	65
d_k	max	13.55	16.55	20.65	24.65	30.65	38.8	46.8
	min	12.45	15.45	19.35	23.35	29.35	37.2	45.2
d_s	max	5	6	8	10	12	16	20
	min	4.52	5.52	7.42	9.42	11.3	15.3	19.16
k₁	max	4.1	4.6	5.6	6.6	8.75	12.9	15.9
	min	2.9	3.4	4.4	5.4	7.25	11.1	14.1
k	max	3.3	3.88	4.88	5.38	6.95	8.95	11.05
	min	2.7	3.12	4.12	4.62	6.05	8.05	9.95
s	max	5.48	6.48	8.58	10.58	12.7	16.7	20.84
	min	4.52	5.52	7.42	9.42	11.3	15.3	19.16
Weight of per 1000 steel products(≈kg)		-	-	-	-	-	-	-

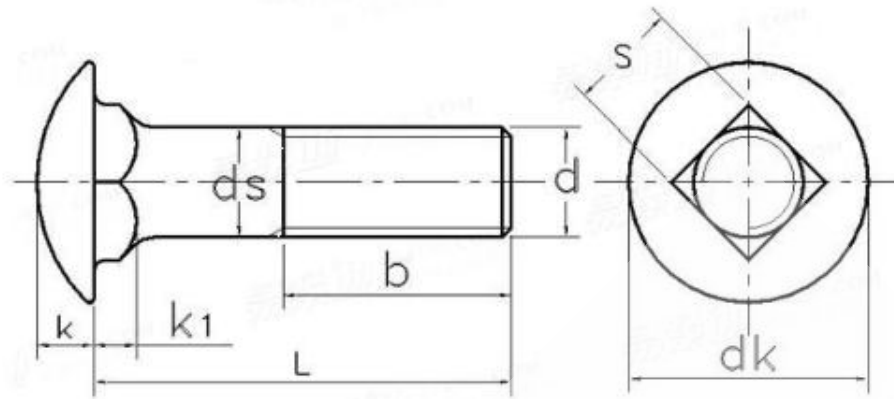
DIN 603 - 1981

DIN 603 - 2010

DIN 603 - 2017

Screw Thread d		M5	M6	M8	M10	M12	M16	M20
P	Pitch	0.80	1.00	1.25	1.50	1.75	2.00	2.50
b	L≤120	16	18	22	26	30	38	46
	130 < L≤200	/	/	28	32	36	44	52
	L>200	/	/	/	/	/	57	65
d_k	max=nominal size	13.00	16.00	20.00	24.00	30.00	38.00	46.00
	min	11.90	14.90	18.70	22.70	28.70	36.40	44.40
k₁	max	4.10	4.60	5.60	6.60	8.80	12.90	15.90
	min	2.90	3.40	4.40	5.40	7.20	11.10	14.10
k	max	3.10	3.60	4.80	5.80	6.80	8.90	10.90
	min	2.50	3.00	4.00	5.00	6.00	8.00	10.00
s	max	5.48	6.48	8.58	10.58	12.70	16.70	20.84
	min	4.52	5.52	7.42	9.42	11.30	15.30	19.16

ISO 8677 - 1986



Unit: mm



Screw Thread d		M6	M8	M10	M12	M16	M20
P	Pitch	1	1.25	1.5	1.75	2	2.5
b	$L \leq 125$	18	22	26	30	38	46
	$125 < L \leq 200$	/	/	/	/	44	52
dk	max	14.2	18	22.3	26.6	35	43
k₁	max	3	3	4	4	5	5
	min	2.4	2.4	3.2	3.2	4.2	4.2
k	max	3.6	4.8	5.8	6.8	8.9	10.9
	min	3	4	5	6	8	10
s	max	6.48	8.58	10.58	12.7	16.7	20.84
	min	5.88	7.85	9.85	11.82	15.82	19.79

JIS B 1171 - 2001

JIS B 1171 - 2005