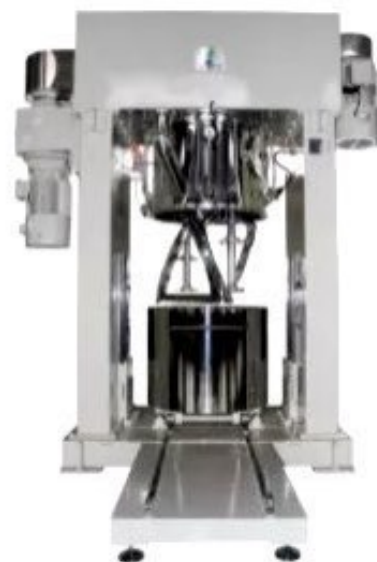




2L - 15L



30L - 200L



300L- 3000L



High-speed Homogenizer



Magnetic Filter



Slurry Transfer Tank

## Lithium-ion battery automatic batching system

