

Add: 10-2-101 Fenghexinyuan Nankai District Tianjin China
Tel:+86 22 87348386 Web:www.newroc-phe.com E-mail:info@newroc-phe.com

New Roc Plate Heat Exchanger

We can not only provide you with PHE, but also we can design the appropriate plan for heating exchange according to your need. We have 10- year experience of designing in this field and solve various problems for you. We have a wealth of HVAC, refrigeration, metal steel, marine engineering, paper, power, hemical, marine engineering, food and beverage experience.

Standard Materials

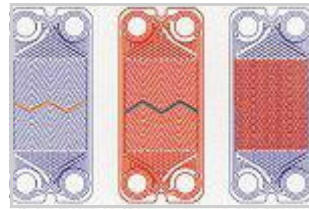
Frame plate Mild steel, Epoxy painted Metal lined: stainless steel, titanium Plates Stainless steel alloy 304, Stainless steel alloy 316 Stainless steel alloy C276 or Titanium or SMO Gaskets Nitrile, EPDM, Viton

Maximum pressure and temperature

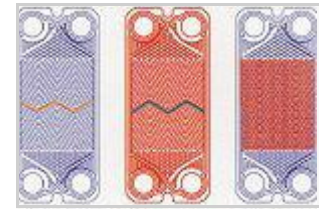
All models are available with different frame designs and different plate thickness depending on the required design pressure. The maximum temperature depends on the gasket material used, and the working pressure



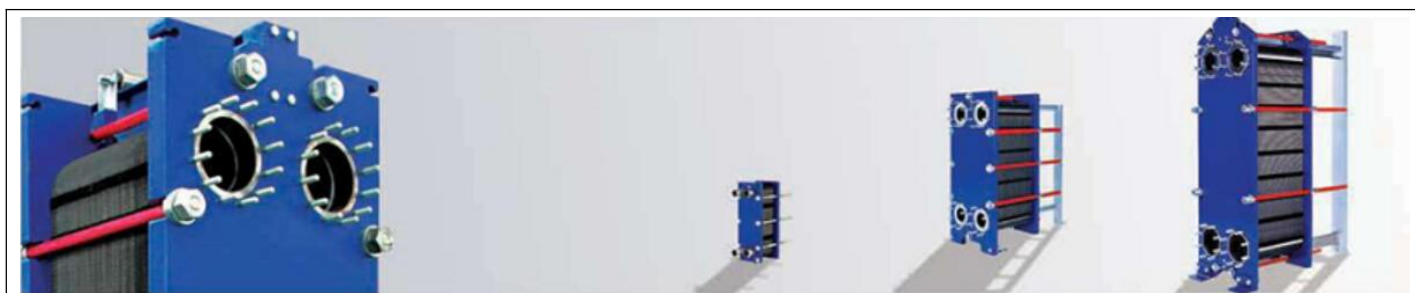
Low angle channel arrangement
For lower allowable pressure drop requirement applications



Mixed channel arrangement
Optional arrangement to gain the optimized performance



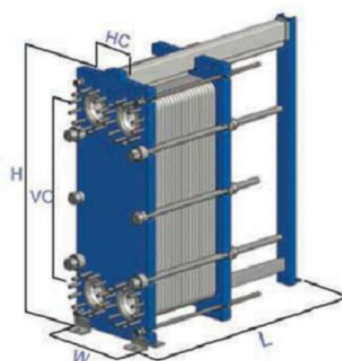
High angle channel arrangement
For higher thermal performance and allowable pressure drop requirement applications



Model	DN30-03	DN60-14/DN60-14M		NS60H	RL10B
Cross Reference ALFA LAVAL	M3	M6,M6M		TS6M	TL10B
Height,H [mm]	480	920	940	704	1885
Width,W [mm]	180	320	330	400	480
Min standard length,L [mm]	400	500	500	530	850
Max standard length,L [mm]	650	1500	1500	1430	2350
Vertical port distance,VC [mm]	357	640	640	380	1338
Horizontal port distance,HC [mm]	60	140	140	203	225
Max temperature [°C]	180	180	180	180	160
Max pressure [barg]	16	10	16	16	10
Flange size	Pipe 1/4"	DN50/2"	DN50/2"	DN65/2"	DN100/4"
Max,flow rate [kg/s]	4	16		20	50

Model	DN100-22M/DN100-24B	DN150-62M/DN150-62B		DN200H	
Cross Reference ALFA LAVAL	M10M,M10B	M15M,M15B		M20M,T20M,T20B	
Height,H [mm]	1084	1084	1885	1885	2150
Width,W [mm]	470	470	610	650	750
Min standard length,L [mm]	700	700	1150	1150	1250
Max standard length,L [mm]	2300	2300	2050	3250	3350
Vertical port distance,VC [mm]	719	719	1294	1294	1478
Horizontal port distance,HC [mm]	225	225	298	298	353
Max temperature [°C]	180	180	180	180	180
Max pressure [barg]	10	16	10	16	10/16
Flange size	DN100/4"	DN100/4"	DN150/6"	DN150/6"	DN200/8"
Max,flow rate [kg/s]	50		80		225

Model	NS20H	DX250-148B	DN300H
Cross Reference ALFA LAVAL	TS20M	MX25B	M30
Height,H [mm]	1405	2595	2920
Width,W [mm]	740	920	1190
Min standard length,L [mm]	900	1550	1650
Max standard length,L [mm]	2700	3350	5200
Vertical port distance,VC [mm]	698	1939	1842
Horizontal port distance,HC [mm]	363	439	596
Max temperature [°C]	180	180	180
Max pressure [barg]	10/16	10/16	10/16
Flange size	DN200/8"	DN200/DN250/8"/10"	DN300/DN350/12"/14"
Max,flow rate [kg/s]	190	250	497






www.newroc-phe.com

SUPERIOR




www.newroc-phe.com

SUPERIOR




www.newroc-phe.com

SUPERIOR




www.newroc-phe.com

SUPERIOR