

INSTRUCTION

Tools:

- Adjustable Wrench
- Pliers
- Pipe Wrench
- Screwdriver
- Teflon Tape
- 1 3/8" Basin Wrench or
1 11/32" Shower Valve Socket Wrench



Single Handle Kitchen Faucet With Pull Down Spray

Model NO: 812L-CP

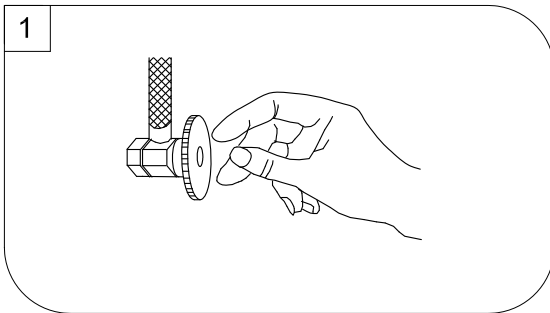
812L-BN

812L-ORB

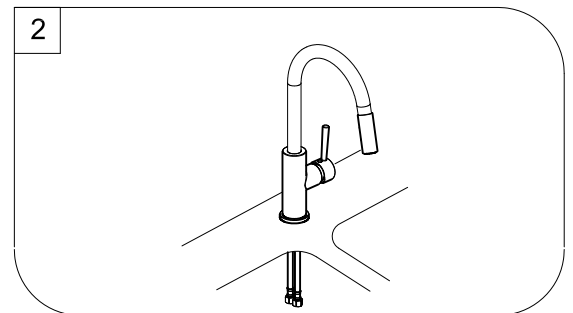
Maintenance:

Your new kitchen faucet is designed for years of trouble-free performance. Keep it looking new by cleaning it periodically with a soft cloth. Avoid abrasive cleaners, steel wool and harsh chemicals as these will dull the finish and void your warranty.

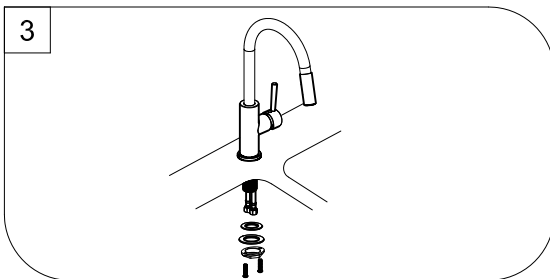
Preparation / Assembly



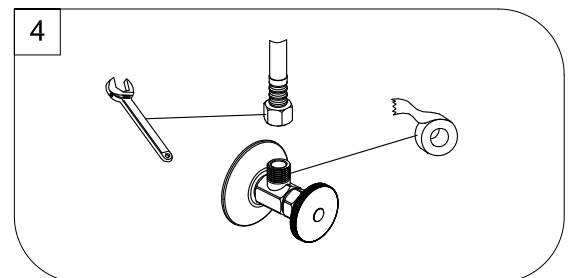
Shut off water supplies. Remove old faucet. Clean sink surface in preparation for new faucet.



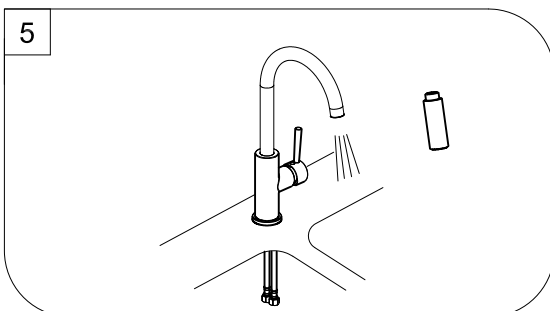
Place optional Flange and Escutcheon on bottom of new faucet before position faucet through mounting hole.



Remove the 2 screws from locking nut .From under the sink,install the rubber washer,steel washer,and locking nut onto the shank Tighten the locking nut with a basin wrench or socket tool and install the 2 screws to secure the faucet in place.



Apply pipe tape onto threads of water supplies. Use wrench when tightening the hose connection, do not overtighten.



Important: After installation is completed, Turn on water supply and allow both hot and cold water to run for at least one minute each. While water is running, check for leaks. Reinstall Spray head. Your new faucet is now ready to use.

Exploded Drawing
 RP(Replacement Parts)

Model NO: 812L-CP
 812L-NB
 812L-ORB

