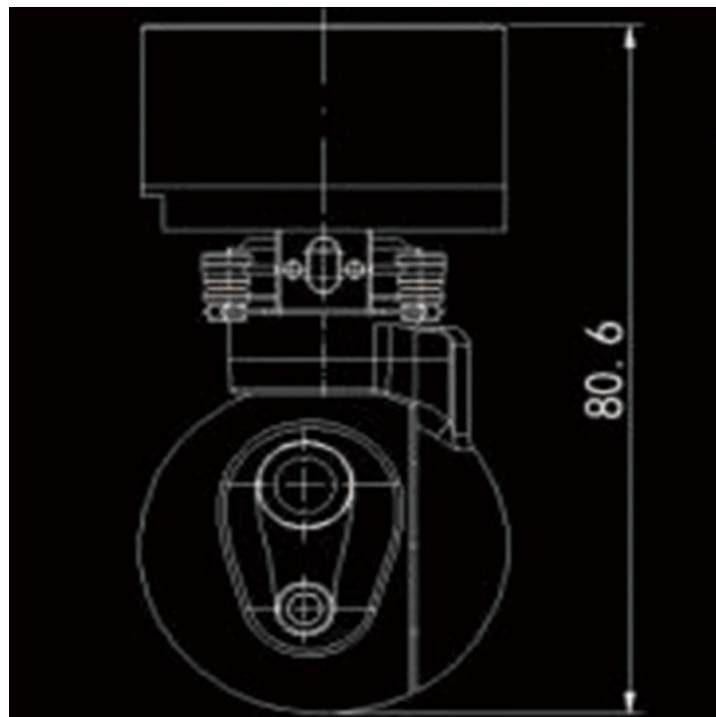


Product features:

1. Drone Universal Joint: This miniature universal joint is designed specifically for drones, providing seamless integration and optimal performance.
2. Target tracking module: Equipped with a built-in tracking module, this universal joint can accurately track selected targets.
3. Rich camera types: This universal joint combines infrared and visible light cameras to improve visibility under all lighting conditions.
4. Dual axis servo image stabilization: With this advanced stabilization system, you can still capture clear and stable images even during high-speed maneuvers.
5. Structural stability: The design of the micro universal joint ensures structural stability, thereby improving tracking accuracy.
6. Target recognition function: This universal joint not only tracks targets, but also provides target recognition, providing valuable information during task execution.
7. Small size and low power consumption: This micro universal joint has a small size and low power consumption, which improves the efficiency of drones during use and is one of the best choices for drone missions.

Dimensions:



Parameters

MODEL		SIV-40
Stable system	Platform type	Two axis servo image stabilization
	Azimuth	±120°
	pitch	-110°~+30°
Visible light camera	Resolution and frame rate	1920×1080
	Load focal length	Visible 10mm
	FOV	30°×17°
Infrared camera	Resolution and frame rate	256×192
	Load focal length	Infrared 7mm
	FOV	24°×18°
Tracking module	Whether or not to have	have
Target recognition	Whether or not to have	have
Specifications	Volume	Φ40mm×70mm
	Weight	<100g