



Reshine Display (HK) Technology Co., Limited
瑞翔顯示（香港）科技有限公司

PRODUCT SPECIFICATION
TFT-LCD MODULE

Model No: RXL101100-H

For Customer's Acceptance	
Approved by	Comment

	Signature	Date
Prepared by	陈友平	2019.11.27
Checked by	方焱	2019.11.27
Approved by	胡仕政	2019.11.27

Reshine Display (HK) Technology Co., Limited

Add: 1 st Floor,Building H and 4th Floor,Building L,Third ,Industrial Park,Xinwei,Longhua,Shenzhen.

Tel : 0755-23063683

Web : www.reshine-display.com

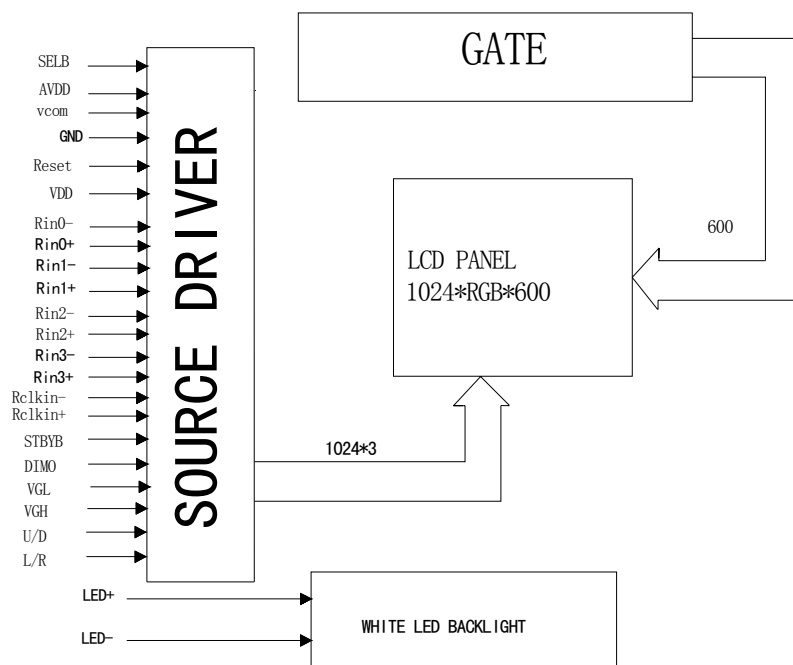
info@reshine-display.com



1. PHYSICAL DATA

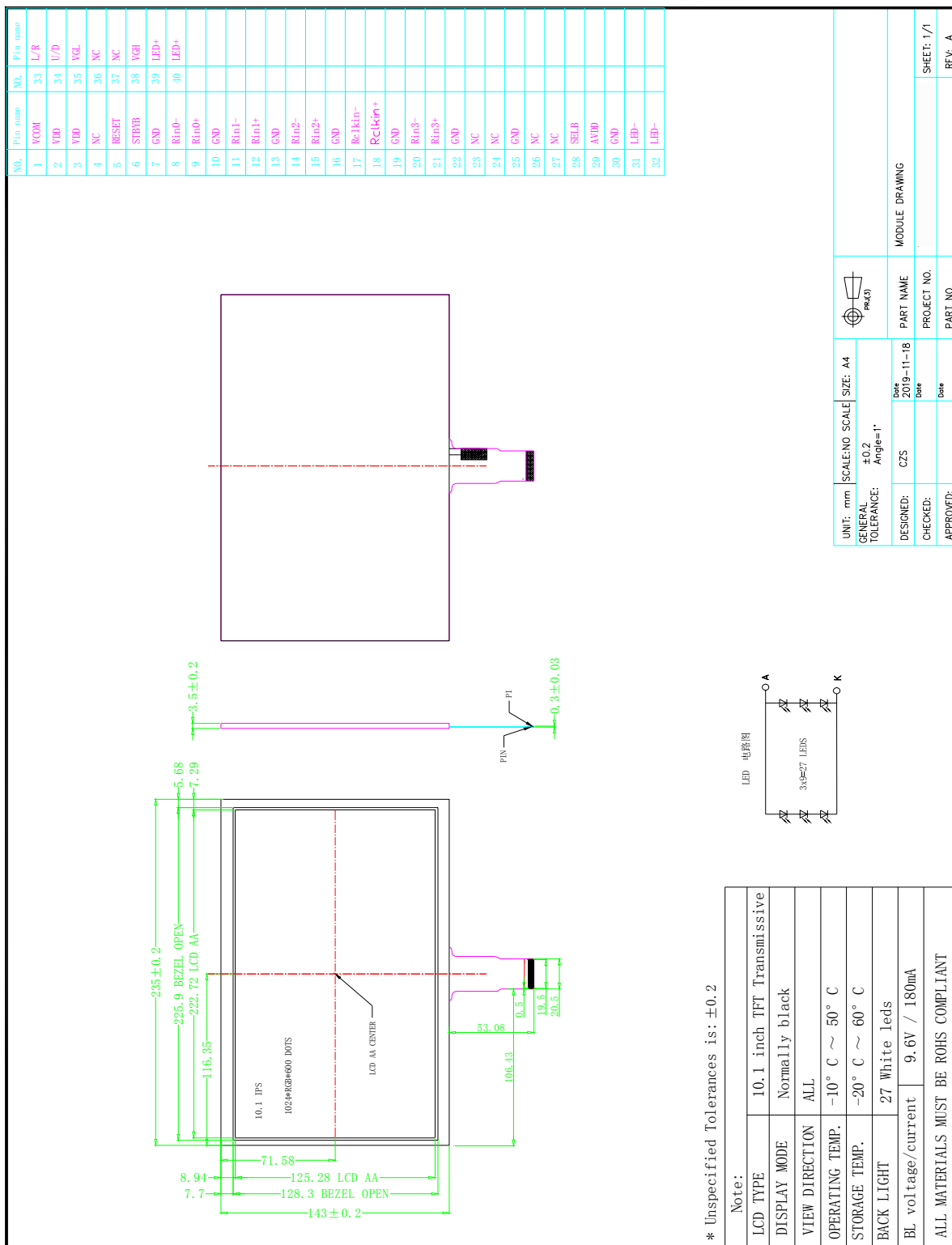
Item	Contents	Unit
LCD type	TFT TRANSMISSIVE	---
Viewing direction	ALL	o'clock
Module size (W×H×T)	235 × 143 × 3.5	mm ³
Active area(W×H)	222.72×125.28	mm ²
Number of dots(W×H)	1024(RGB) × 600	dots
Pixel Pitch(H×V)	0.2175×0.2088	mm
Driver IC	EK79001HQ3	---
Colors	16.7M	---
Backlight Type	27 white leds 9.6V 180mA	---
Interface Type	LVDS	---

2. BLOCK DIAGRAM





3. Mechanical Dimension





4. Pin Descriptions

Pin No.	Symbol	Functional	Notes
1	VCOM	Common Voltage	
2~3	VDD	Power Supply for digital circuit	
4	NC	No connection	
5	RESET	Global reset pin	
6	STBYB	Standby mode, Normally pulled high	
7	GND	Ground	
8	Rin0-	-LVDS differential data input	
9	Rin0+	+LVDS differential data input	
10	GND	Ground	
11	Rin1-	-LVDS differential data input	
12	Rin1+	+LVDS differential data input	
13	GND	Ground	
14	Rin2-	-LVDS differential data input	
15	Rin2+	+LVDS differential data input	
16	GND	Ground	
17	RclkIN-	-LVDS differential clock input	
18	RclkIN+	+LVDS differential clock input	
19	GND	Ground	
20	Rin3-	-LVDS differential data input	
21	Rin3+	+LVDS differential data input	
22	GND	Ground	
23-24	NC	No connection	
25	GND	Ground	
26	NC	No connection	
27	NC	NC	
28	SELB	6bot/8bit mode select , L=8 BIT , H=6BIT	
29	AVDD	Power for Analog Circuit	
30	GND	Ground	
31-32	LED-	LED Cathode	
33	L/R	Horizontal inversion	
34	U/D	Vertical inversion	
35	VGL	Gate OFF Voltage	
36	NC	NC	
37	NC		
38	VGH	Gatr ON Voltage	
39-40	LED+	LED Anode	



5. OPERATION SPECIFICATION

5.1 Absolute Maximum Ratings

Parameter	Symbol	Min	Max	Unit
Power supply1	VDD	-0.5	+3.96	V
Power supply2	AVDD	-0.5	+13.85	V
Operating temperature	T _{OPR}	-10	50	°C
Storage temperature	T _{STG}	-20	60	°C

5.2 Input voltage refer list

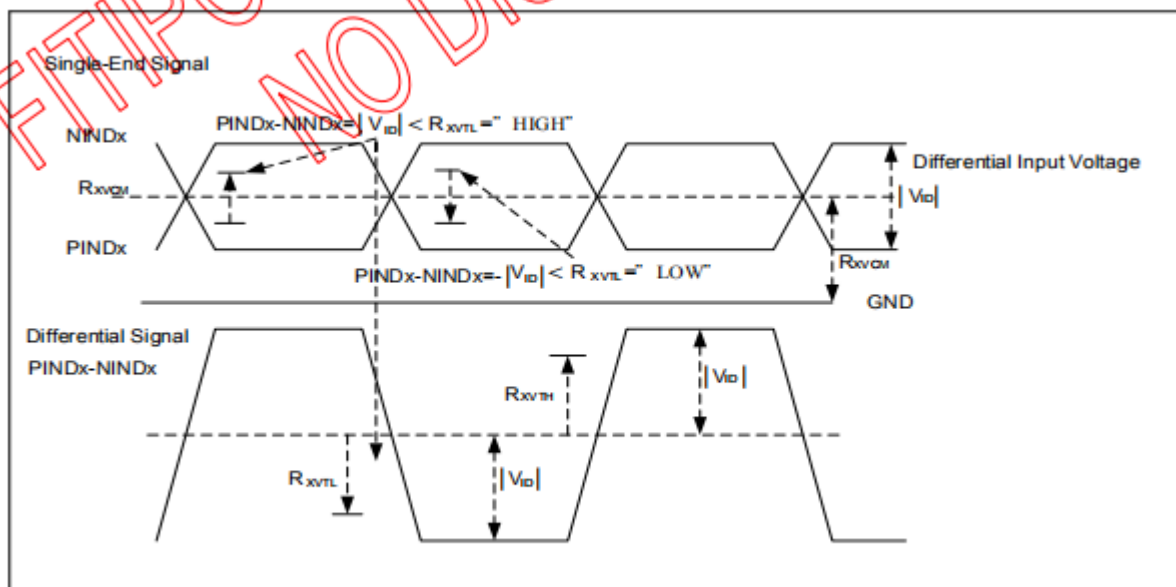
Parameter	Symbol	Value	Unit	Remarks
TFT Gate ON Voltage	VGH	21	V	
TFT Gate Off Voltage	VGL	-8	V	
Analog Power Supply Voltage	AVDD	10.3	V	
TFT Common Electrode Voltage	VCOM	4.4	V	NOTE

Note: Please adjust Vcom to make the flicker level be minimum



6. DC ELECTRICAL CHARACTERISTICS

Parameter	Symbol	Min.	Typ.	Max.	Unit	Condition
Differential input high threshold voltage	RxVTH			+0.1V	V	RxVCM=1.2V
Differential input low threshold voltage	RxVTL	-0.1			V	
Input voltage range(single-end)	RxVIN	0		2.4	V	
Differential input common mode voltage	RxVCM	$ V_{ID} /2$		$2.4 - V_{ID} /2$	V	
Differential input voltage	$ V_{ID} $	0.2		0.6	V	
Differential input leakage current	RxVTH	-10		+10	μ A	
LVDS Digital Operating Current	Iddlvds	-	40(TBD)	50	mA	Fclk=65Mhz, VDD=3.3V
LVDS Digital Standby Current	Istlvds	-	10(TBD)	50	μ A	Clock & all functions are stop





7. Parallel RGB input timing table

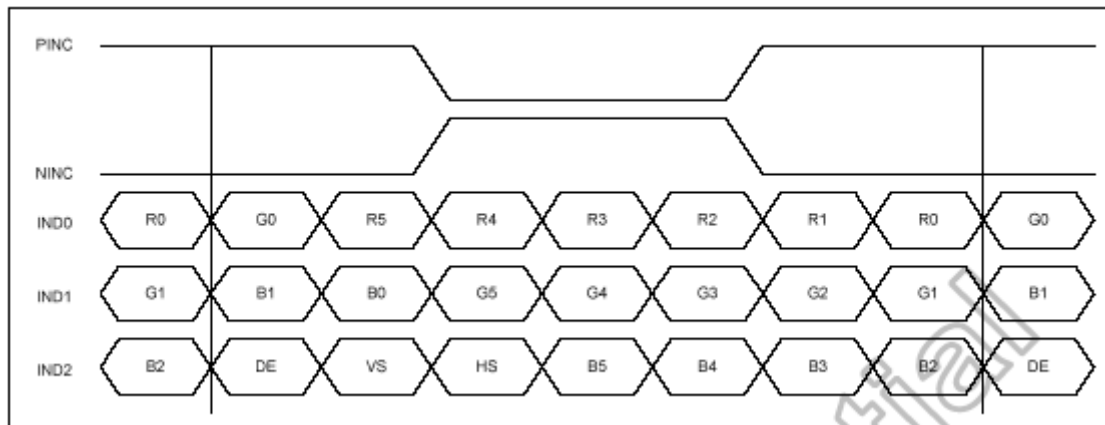
DE mode

DE mode

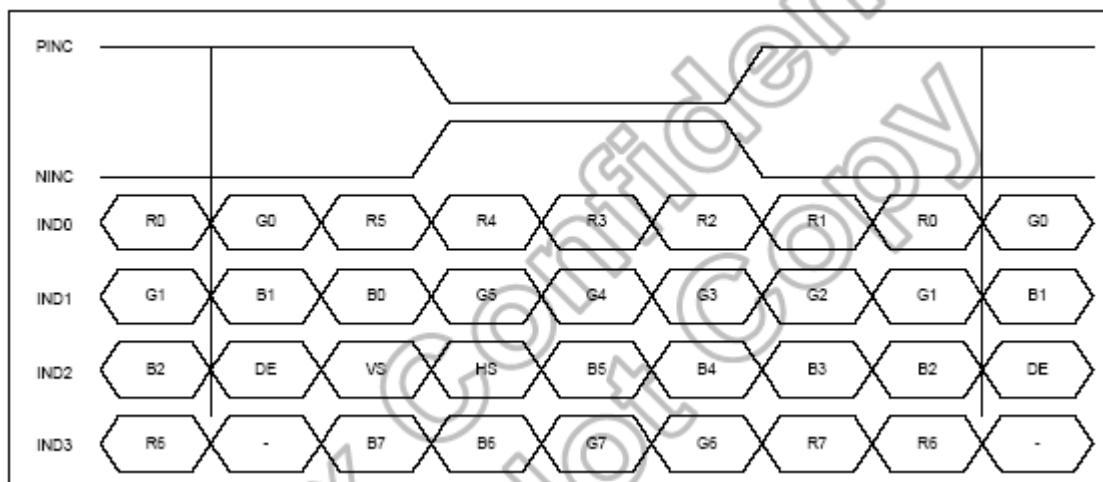
Parameter	Symbol	Value			Unit
		Min.	Typ.	Max.	
DCLK frequency @Frame rate=60hz	fclk	40.8	51.2	67.2	Mhz
Horizontal display area	thd	1024			DCLK
HSYNC period time	th	1114	1344	1400	DCLK
HSYNC blanking	thb+thfp	90	320	376	DCLK
Vertical display area	tvd	600			H
VSYNC period time	tv	610	635	800	H
VSYNC blanking	tvb+tvfp	10	35	200	H

8. Data input format for LVDS

8.1 For 6-Bit LVDS



8.2 For 8-Bit LVDS





9. Backlight Characteristic

Item	Symbol	Min	Typical	Max	Unit
LED module Forward voltage	V_{LED}	9.0	9.3	9.6	V
LED module current	I_{LED}	--	180	--	mA
LCM Surface Luminance ★1	L_s	--	TBD	--	mcd
LCM Surface brightness uniform ★2	L_D	80	--	--	%

★ 1 Test condition is:

(a) Center point on active area.

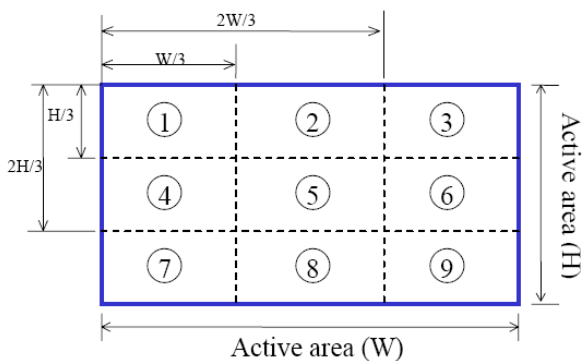
(b) Best Contrast.

★2 Uniform measure condition:

(1) Measure 9 point. Measure location show below;

(2) $Uniform = (Min. \text{ brightness} / Max. \text{ brightness}) * 100\%$

(3) Best Contrast.





10. Electro-optical Characteristics

Parameter	Symbol	Condition	Min.	Typ.	Max.	Unit	Remark					
Viewing Angle range	Horizontal	Θ3	-	85	-	Deg.						
		Θ9	-	85	-	Deg.						
	Vertical	Θ12	-	85	-	Deg.						
		Θ6	-	85	-	Deg.						
Luminance Contrast ratio	CR		-	800	-							
Cell Transmittance	Tr		4.8	5.8	-	%						
White Chromaticity	xw	Θ = 0	TYP. - 0.03	0.307	TYP. + 0.03							
	yw			0.338								
Red	Rx			0.605								
	Ry			0.336								
Green	Gx			0.297								
	Gy			0.552								
Blue	Bx			0.139								
	By			0.132								
Color Gamut (C light)								-	50	-	%	
Response Time (Rising + Falling)	TRT			Ta= 25 °C Θ = 0				-	30	40	ms	

11. Reliability

11.1 Mtbf

The LCD module shall be designed to meet a minimum MTBF value of 50000 hours with normal

11.2 Test condition

N O.	ITEM	CONDITION	CRITERION
1	High Temperature Non-Operating Test	60°C*120Hrs	No Defect Of Operational Function In Room Temperature Are Allowable
2	Low Temperature Non-Operating Test	-20°C*120Hrs	
3	High Temperature/Humidity Non Operating Test	60°C*75%RH*120Hrs	
4	High Temperature Operating Test	50°C*120Hrs	
5	Low Temperature Operating Test	-10°C*120Hrs	
6	Thermal Shock Test	-10 °C (30Min) - 50 °C (30Min) *10CYCLES	



Notes:

- 1. Judgments should be made after exposure in room temperature for two hours.
- 2. The distill water is used for the high temperature/humidity test.
- 3. The sample above is individually for every reliability tests condition.

12. Inspection standards

1.AQL(Acceptable Quality Level

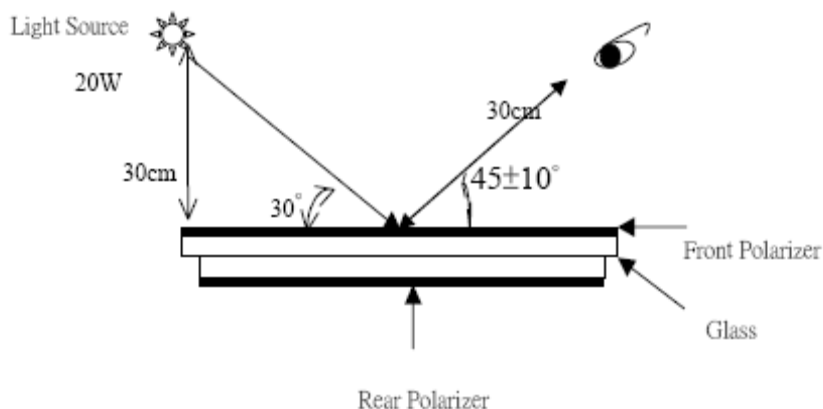
AQL of major and minor defect.

	MAJOR DEFECT	MINOR DEFECT
AQL	0.65	1.5

2. Basic conditions for inspection

The LCM face to us, in normal environment, the lux is 1000 ± 200 .(Darkroom's lux: 100 ± 50),About an angle of incidence 30,a distance of 30 cm with an angle of 45 degree to check the products without uncovering the film!

(As shown below)

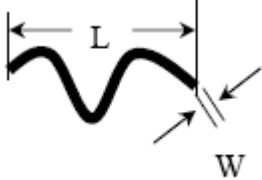
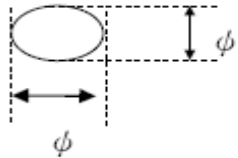




3.Inspection item and criteria

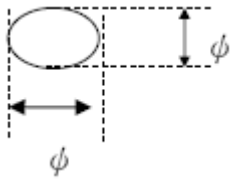
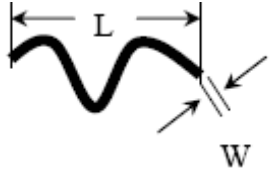
3.1 Visual inspection criterion in immobility

3.1.1 LCD appearance defect(View area)

NO	Defect item	Criteria		Remark
		Specification	Allowable	
1	Fiber、 glass cratch、 polarizer scratch/folded (minor defect)	$W \leq 0.03\text{mm}$	disregard	note1:L: Length, W: Width note2: disregard if out of AA 
		$0.03\text{mm} < W \leq 0.05\text{mm};$ $L \leq 3.0\text{mm}$	2	
		$0.05\text{mm} < W \leq 0.1\text{mm};$ $L \leq 3.0\text{mm}$	1	
		$W > 0.1\text{mm}; L > 3.0\text{mm}$	0	
2	Polarizer bubble、 concave and convex (minor defect)	$\phi \leq 0.2\text{mm}$	disregard	note1: $\phi = (L+W)/2$, L:Length, W :Width note2:disregard if out of AA
		$0.2\text{mm} < \phi \leq 0.3\text{mm}$	2	
		$0.3\text{mm} < \phi \leq 0.5\text{mm}$	1	
		$0.5\text{mm} < \phi$	0	
3	Black dots、 dirty dots、 impurities、 eye winker (minor defect)	$\phi \leq 0.15\text{mm}$	disregard	note2:disregard if out of AA 
		$0.15\text{mm} < \phi \leq 0.25\text{mm}$	2	
		$0.25\text{mm} < \phi \leq 0.3\text{mm}$	1	
		$0.3\text{mm} < \phi$	0	
4	Polarizer prick (minor defect)	$\phi \leq 0.1\text{mm}$	disregard	note1: $\phi = (L+W)/2$, L=Length, W=Width note2:the distance between two dots>5mm
		$0.1\text{mm} < \phi \leq 0.25\text{mm}$	3	
		$\phi > 0.25\text{mm}$	0	



3.2 Electrical criteria

NO	Defect item	Criteria	Remark	
1	No display (major defect)	No display 【Reject】		
2	Missing line (major defect)	Missing line 【Reject】		
3	Seg-com light and dark (major defect)	Seg-com light and dark 【Reject】	ND filter 2% test	
4	No display in immobility (major defect)	No display in immobility 【Reject】		
5	Flicker of Pattern (major defect)	Flicker of Pattern 【Reject】		
6	Mura (major defect)	ND filter 2% test		
7	Over current (major defect)	Over current 【Reject】		
8	Voltage out of specification (major defect)	Voltage out of specification 【Reject】		
9	Pattern blur, error code (major defect)	Pattern blur, error code 【Reject】		
10	Dark light, Flicker (major defect)	Dark light, Flicker 【Reject】		
11	Black/white dots 、 Dirty dots、 eye winker (major defect)	Specification	Allowable	Note1:disregard if out of AA 
		$\phi \leq 0.15\text{mm}$	disregard	
		$0.15\text{mm} < \phi \leq 0.25\text{mm}$	2	
		$0.25\text{mm} < \phi \leq 0.3\text{mm}$	1	
		$0.3\text{mm} < \phi$	0	
12	Fiber、glass crutch、Polarizer scratch/folded (major defect)	$W \leq 0.03\text{mm}$	disregard	Note1:L: Length, W: Width Note2: disregard if out of AA 
		$0.03\text{mm} < W \leq 0.05\text{mm}$ $L \leq 3.0\text{mm}$	2	
		$0.05\text{mm} < W \leq 0.1\text{mm}$ $L \leq 3.0\text{mm}$	1	
		$W > 0.1\text{mm}; L > 3.0\text{mm}$	0	



13. Precautions for using LCD modules.

13.1 Safety

- (1) Do not swallow any liquid crystal, even if there is no proof that liquid crystal is poisonous.
- (2) If the LCD panel breaks, be careful not to get liquid crystal to touch your skin.
- (3) If skin is exposed to liquid crystal, wash the area thoroughly with alcohol or soap.

13.2 Storage Conditions

- (4) Store the panel or module in a dark place where the temperature is $23 \pm 5^{\circ}\text{C}$ and the humidity is below $45 \pm 20\% \text{RH}$.
- (5) Store in anti-static electricity container.
- (6) Store in clean environment, free from dust, active gas, and solvent.
- (7) Do not place the module near organics solvents or corrosive gases.
- (8) Do not crush, shake, or jolt the module.

13.3 Handling Precautions

- (9) Avoid static electricity, which can damage the CMOS LSI.
- (10) The polarizing plate of the display is very fragile, please handle it very carefully.
- (11) Do not give external shock.
- (12) Do not apply excessive force on the surface.
- (13) Do not wipe the polarizing plate with a dry cloth, as it may easily scratch the surface of plate.
- (14) Do not use ketonic solvent & Aromatic solvent, use with a soft cloth soaked with a cleaning naphtha solvent.
- (15) Do not operate it above the absolute maximum rating.
- (16) Do not remove the panel or frame from the module.

13.4 Warranty

The period is within twelve months since the date of shipping out under normal using and storage conditions.
