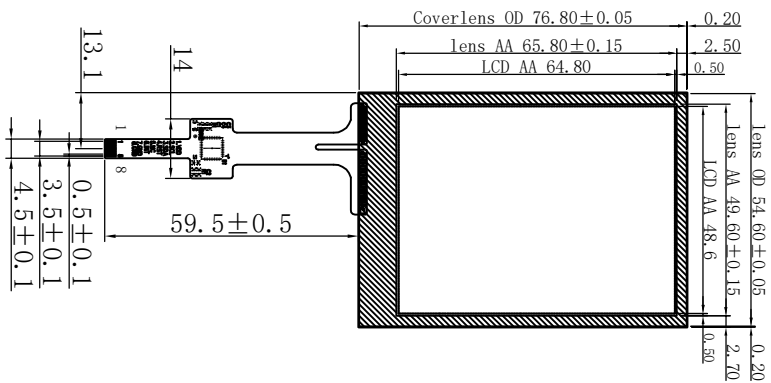
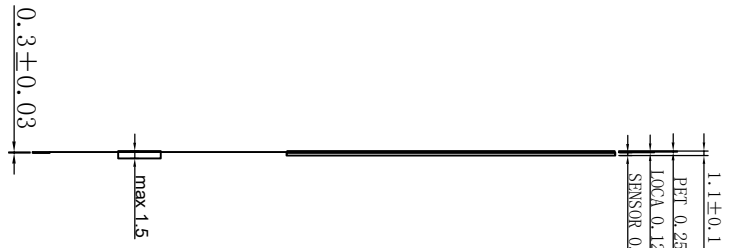


REV	DESCRIPTION	DATE
1.0	First version	2017.11.27

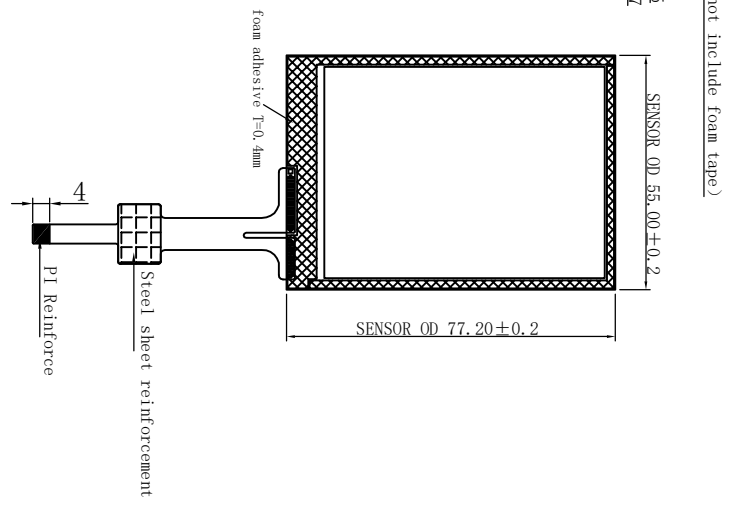
Front view



Side view



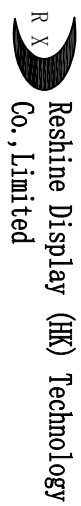
Back view



Technical Parameters:

1. Driver IC: FT5216MG7
2. Structure: Cover (0.25mm PET)+ITO (0.7mm ITO glass)+FPC (with IC)
3. Operating voltage: 2.8V-3.3 V;  
I2C communication voltage: 2.8V-3.3 V
4. Transparent rate:  $\geq 80\%$
5. Surface hardness:  $\geq 3H$
6. Operating temperature:  $-20^{\circ}\text{C} \sim +70^{\circ}\text{C}$ ,  $\leq 90\% \text{RH}$
7. Storage temperature:  $-30^{\circ}\text{C} \sim +80^{\circ}\text{C}$ ,  $\leq 90\% \text{RH}$
8. Unmarked tolerance:  $\pm 0.2 \text{mm}$
9. Meet ROHS environmental requirements

PIN#	Definition
1	VDD 3.3V
2	SCL
3	SDA
4	RST
5	WAKE (置空)
6	INT
7	GND
8	GND



Tel: 0755-29190292 Fax: 0755-29190291

MODEL NUMBER :

RXC-PG032100B-1.0

SCALE: 1:1 NOT TO SCALE	UNITS MM
PAGE: 1 OF 1	DATE
GENERAL TOL. 0.50mm	
APPROVALS	
APP:	
CHK:	
DWN: MHY	2017-11-27