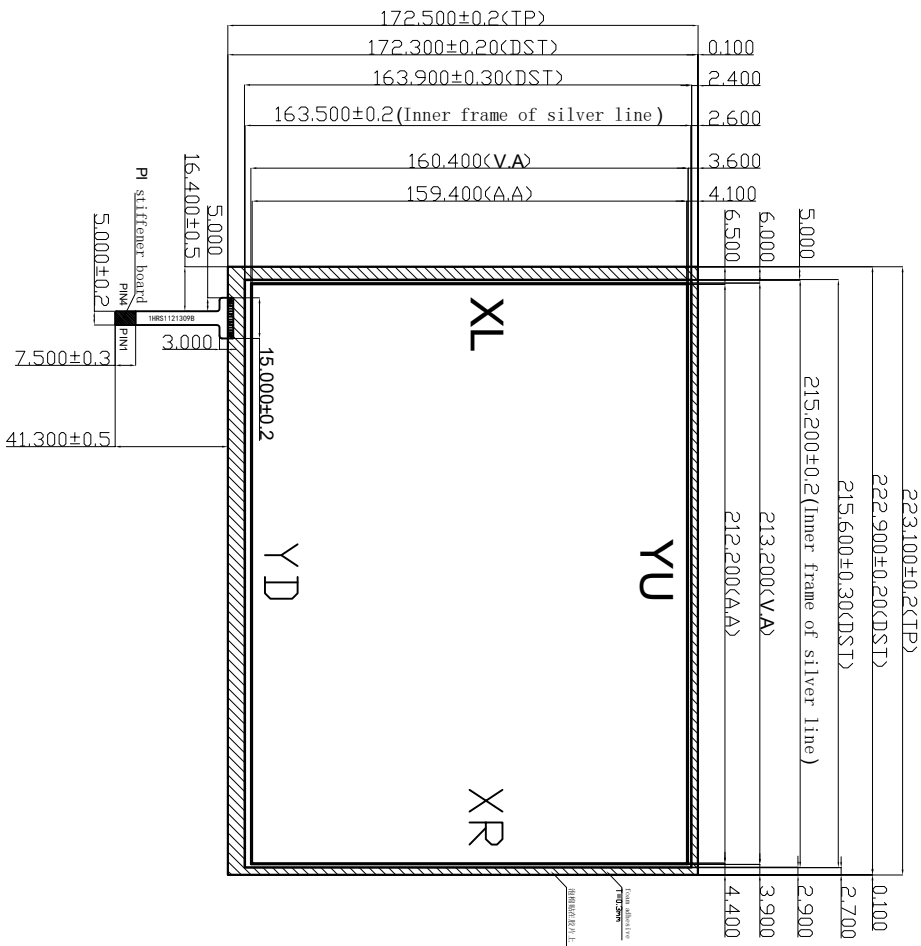
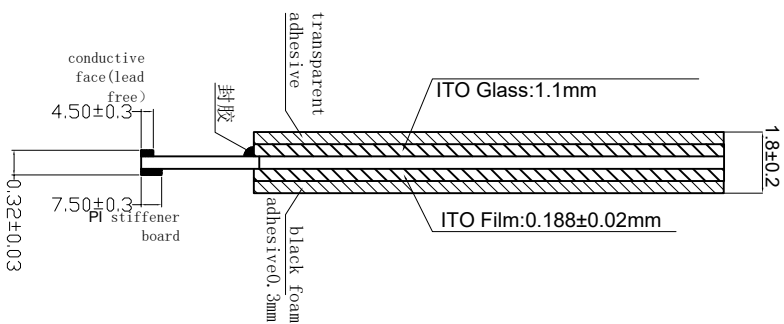


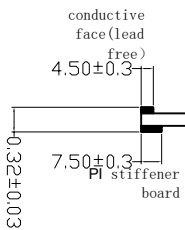
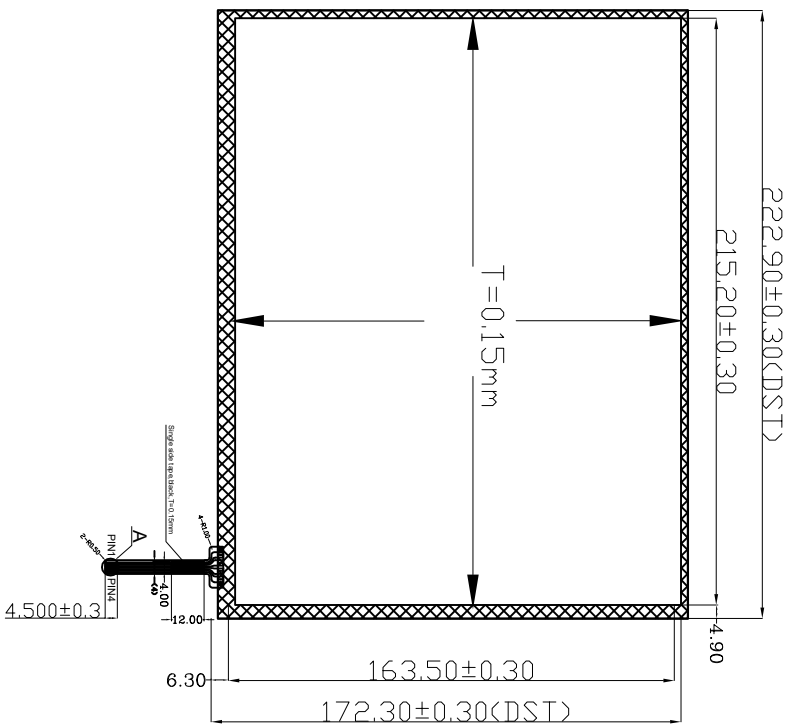
Front view



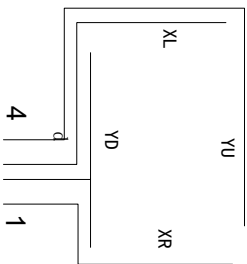
Side view



Back view



- Technical parameters:
1. Structure: films+glass+PPC (Matte anti-scratch)
 2. ITO Film type: Anti-glare and anti-newton ring coating
 3. Circuit level: DC5V 1mA
 4. Insulation resistance: $\geq 20M \Omega$ (25V DC)
 5. Linear: $\leq 1.5\%$
 6. Transparent rate: $\geq 76\%$
 7. Operating pressure: 50~120g
 8. Operational life spa: $\geq 1000,000$ times
 9. Life span with pen operation: 50,000 times
 10. Operating temperature: $-20^{\circ}\text{C} \sim +70^{\circ}\text{C}$
 11. Storage temperature: $-30^{\circ}\text{C} \sim +80^{\circ}\text{C}$
 12. Unmarked tolerance: $\pm 0.5\text{mm}$
 13. Meet ROHS environmental requirements



PIN	OUT
1	XR
2	YD
3	XL
4	YU

SCALE: 1:1 NOT TO SCALE	UNITS MM
PAGE: 1 OF 1	DATE
GENERAL TOL. 0.50mm	DATE
APPROVALS	DATE
APP: M/Chan	2014/06/11
CHK: Amor'11	2014/06/11
DWN: Amor'11	2014/06/11

Reshine Display (HK) Technology Co., Limited

TEL: 0755-29190292

MODEL NUMBER:

RXA-104001-01

CUSTOMER P/N

DATE: 2014/06/11