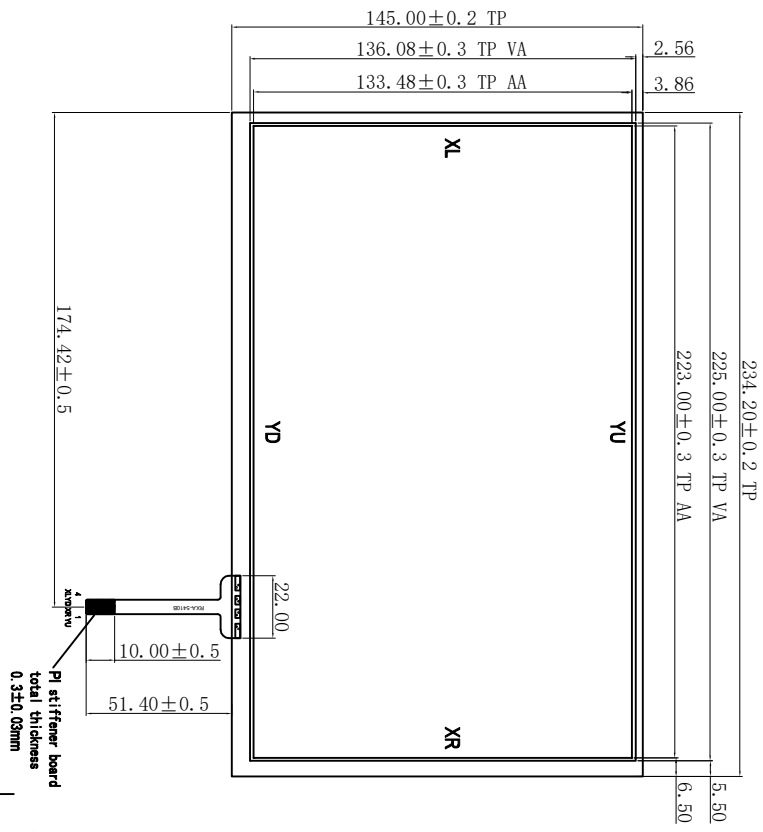
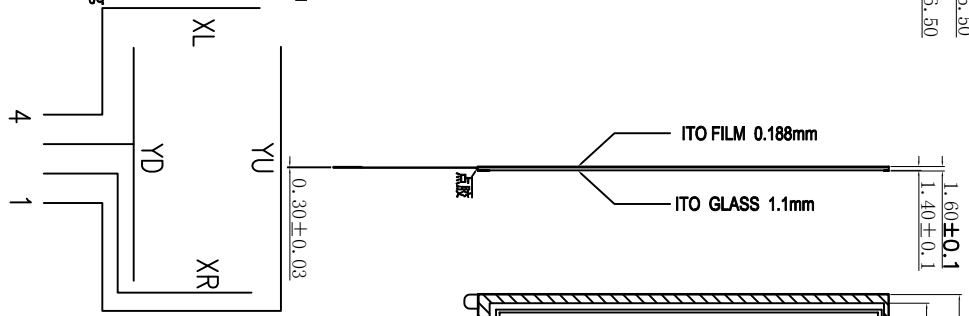


REV.	DESCRIPTION	DATE
	First version	2018-03-

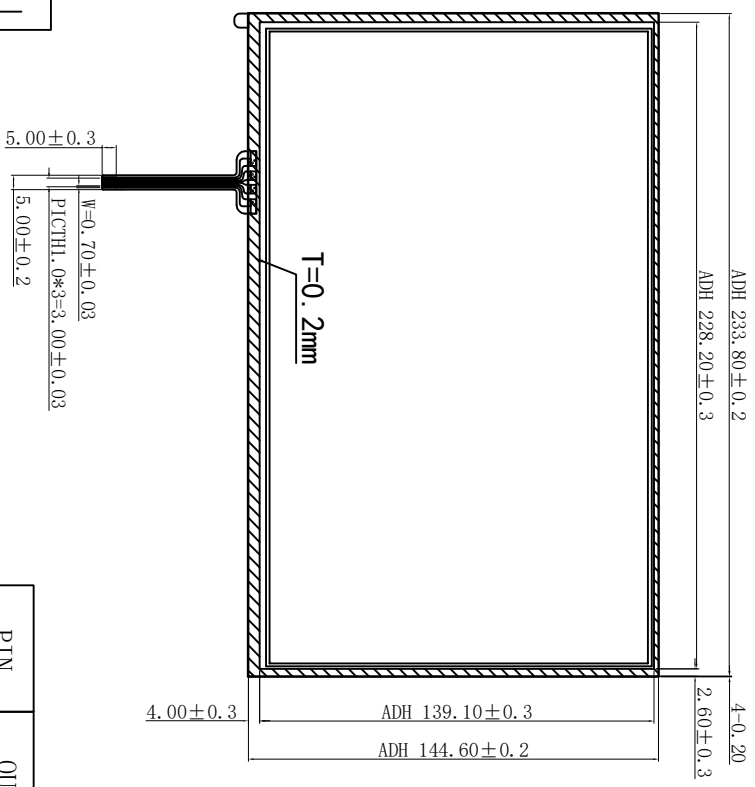
Front view



Side view



Back view



PIN	OUT
1	YU
2	XR
3	YD
4	XL

- Technical parameters:
1. Structure: film+glass+FPC (Matte anti-scratch)
  2. ITO Film typel: Anti-glare and anti-newton ring coating
  3. Circuit level: DC5V 1mA
  3. Insulation resistance:  $\geq 20M \Omega$  (25V DC)
  4. Linear:  $\leq 1.5\%$
  5. Transparent rate:  $\geq 76\%$
  6. Operating pressure: 50-120g
  7. Operational life spa:  $\geq 1000,000$  times
  8. Life span with pen operation: 50,000 times
  9. Operating temperature:  $-20^{\circ}C \sim +70^{\circ}C$
  10. Storage temperature:  $-30^{\circ}C \sim +80^{\circ}C$
  11. X: 400-1100  $\Omega$  Y: 150-500  $\Omega$ .
  12. Unmarked tolerance:  $\pm 0.3mm$
  13. Meet ROHS environmental requirements

SCALE: 1 : 1 NOT TO SCALE		SCALE: 1 : 1 NOT TO SCALE	
PAGE: 1 OF 1		PAGE: 1 OF 1	
GENERAL TOL. 0.30mm		GENERAL TOL. 0.30mm	
APPROVALS	DATE	INITIALS	DATE
APP: MYchan	2018-03-29		
CHK: Amor11	2018-03-29		
MODEL NUMBER : RXA-101028-01		MODEL NUMBER : RXA-101028-01	
RESHINE DISPLAY (HK) TECHNOLOG		RESHINE DISPLAY (HK) TECHNOLOG	
Tel: 0755-29190292 Fax: 0755-29190291		Tel: 0755-29190292 Fax: 0755-29190291	
CUSTOMER P/N		CUSTOMER P/N	
DATE: 2018-03-28		DATE: 2018-03-28	