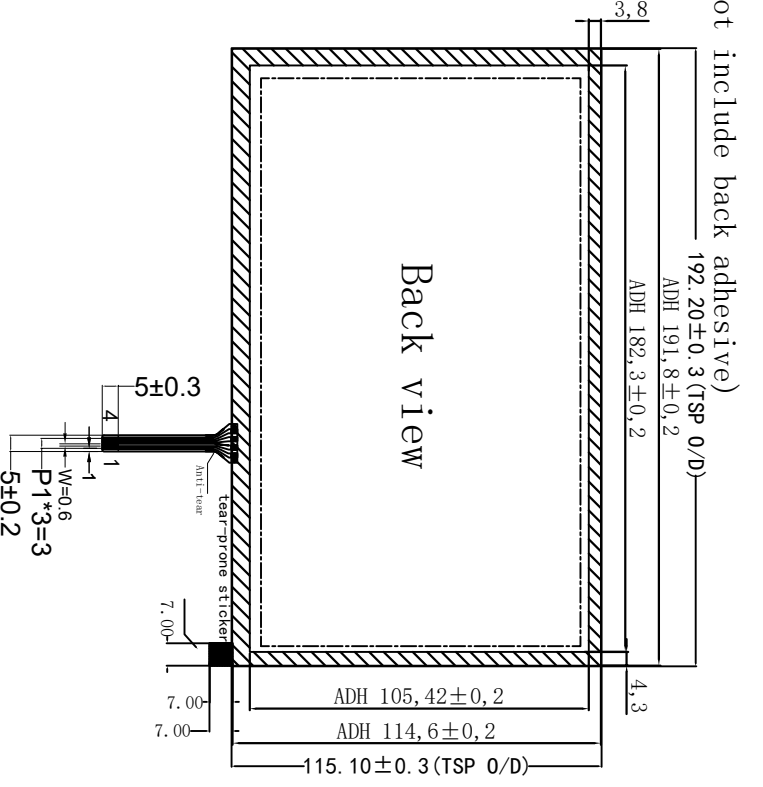
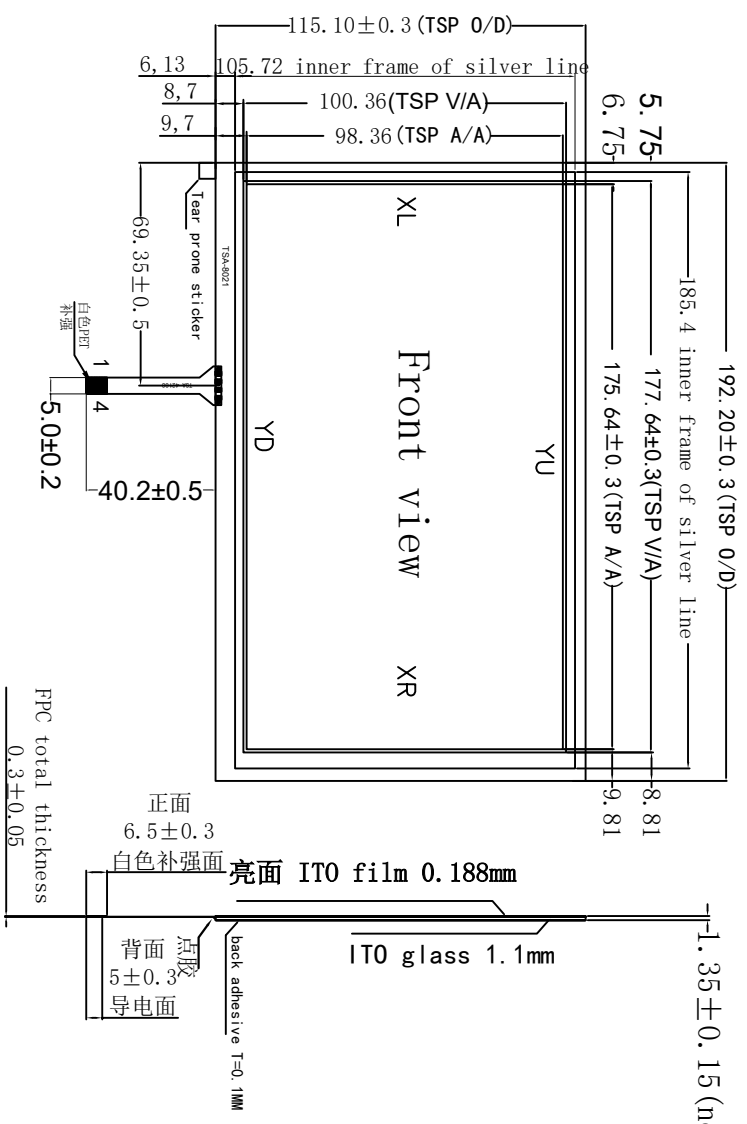
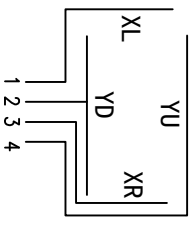


REV.	DESCRIPTION	DATE
A/0	First view	2017-12-2



- NOTE:
- Structure: film + glass + tail
  - Product thickness: 1.35±0.15mm
  - ITO glass: 500Ω/□ 1.1mm
  - ITO Film: 0.188mm (Bright surface anti-scraping)
  - Surface hardness: ≥3H
  - Linearity: ≤1.5%
  - Light Transmission: ≥80%
  - Chattering: ≤10 msec
  - Insulation resistance: ≤DC 25V 20MΩ
  - Load upon operation: ≤100Gg
  - Hitting Durability: Hit ≥1,000,000 times
  - Sliding Durability: Shuttle ≥100,000 times
  - Operation TEMP: -20~+60°C, ≤90%RH
  - Storage TEMP: -30~+70°C, ≤90%RH
  - X: 100-1200Ω; Y: 100-1200Ω.
  - Scale: 1:1
  - FPC Tail: Ni 2~5μm / Au 0.05~0.15μm
  - No note tolerances according to: + / - 0.3 mm.



Logic diagram

PIN	OUT
1	XL
2	YD
3	XR
4	YU

SCALE: 1:1 NOT TO SCALE		UNITTS MM			
PAGE: 1 OF 1				Tel: 0755-29190292 Fax: 0755-29190291	
GENERAL TOL. 0.30mm		DATE		MODEL NUMBER :	
APPROVALS		DATE		TSA-080021-07	
APP: MYchan		2017-12-22			
CHK: Amor11		2017-12-22		DATE: 2017-12-22	
Amor11		2017-12-22		Product NO :	