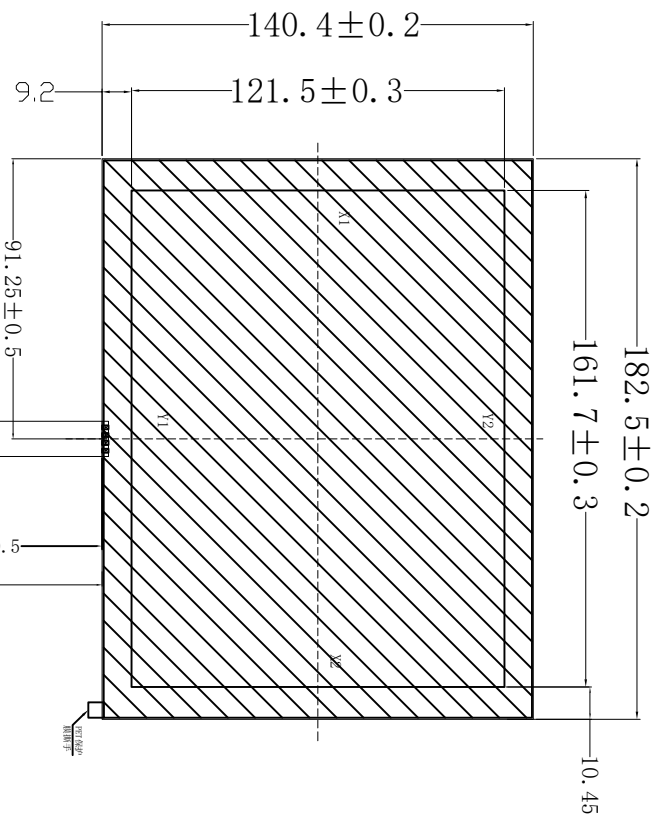
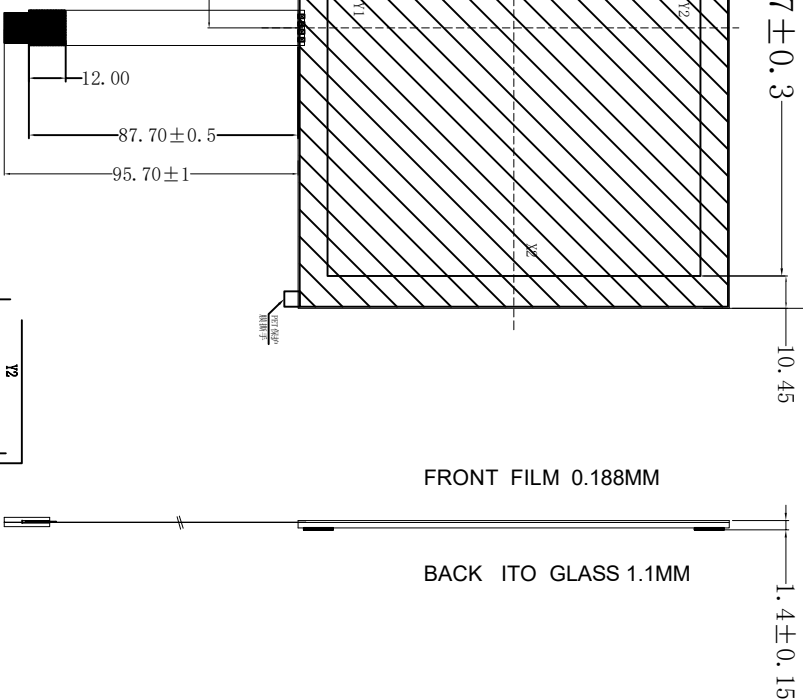


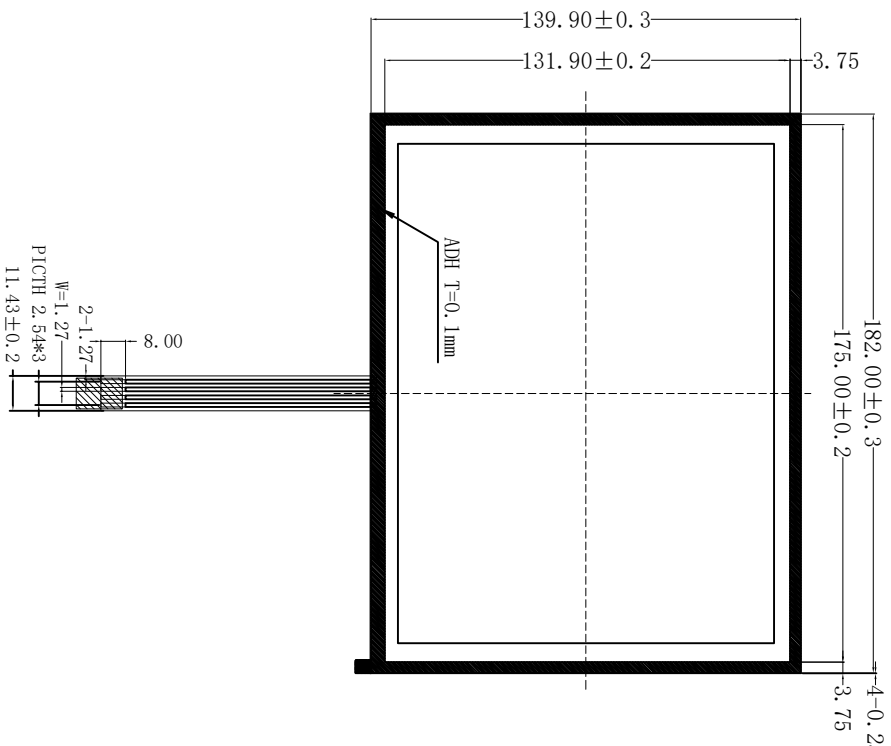
Front view



Side view



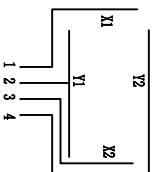
Back view



Technical parameters:

1. Structure: film+glass+FPC
2. Total thickness: 1.4 ± 0.15mm
2. Circuit level: DC5V 1mA
3. Insulation resistance: ≥ 20M Ω (25V DC)
4. Linear: ≤ 1.5%
5. Transparent rate: ≥ 78%
6. Operating pressure: 50-120g
7. Operational life spa: ≥ 1,000,000 times
8. Life span with pen operation: ≥ 100,000 times
9. Operating temperature: -10°C ~ +60°C
10. Storage temperature: -20°C ~ +70°C
11. X: 200-900 Ω Y: 200-900 Ω
12. Unmarked tolerance: ± 0.5mm
13. Meet ROHS environmental requirements

Logic diagram



PIN	OUT
1	X1
2	Y1
3	X2
4	Y2

SCALE: 1:1  
NOT TO SCALE

PAGE: 1 OF 1

GENERAL TOL.  
0.50mm

APPROVALS

APP: WYchan DATE: 2014/03/17

CHK: Amor11 DATE: 2014/03/17

Reshine Display (HK) Technology  
Co., Limited

Tel: 0755-29190292 Fax: 0755-29190291

MODEL NUMBER: RXA-080-E-02

Product NO: RX-SJ-140317-01/

DATE: 2014/03/17