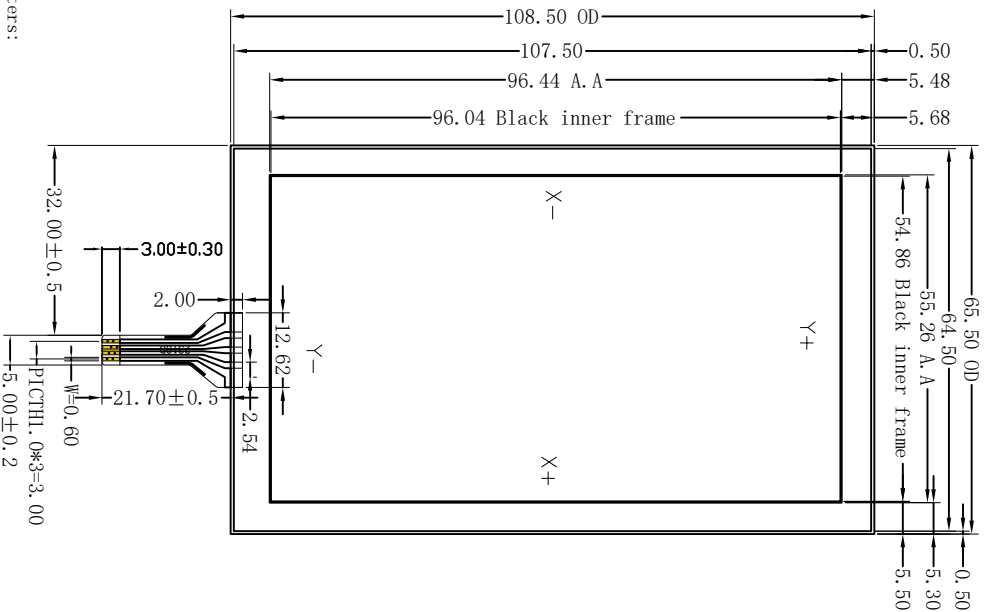
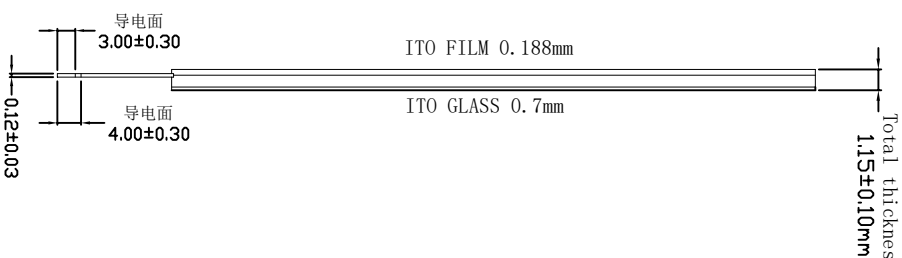


PIN1 ~ PIN3	150 ~ 500ohm
PIN2 ~ PIN4	350 ~ 1100ohm
PIN OUT	
1	X-
2	Y-
3	X+
4	Y+

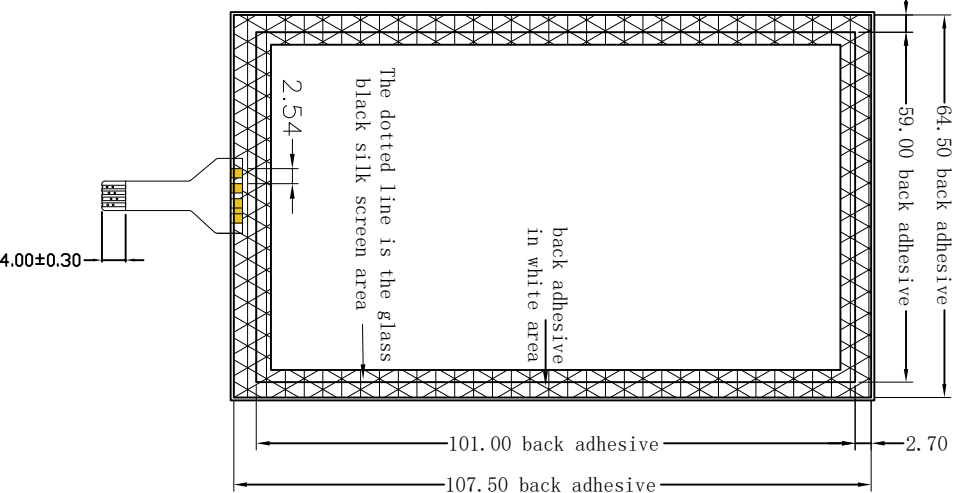
Front view



Side view

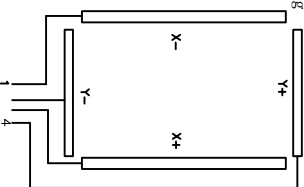


Back view



Technical parameters:

1. Structure: films+glass+PPC (Matte anti-scratch)
2. Total thickness: 1.15 ± 0.15mm
3. Insulation resistance: ≥ 20M Ω (25V DC)
4. Linear: ≤ 1.5%
5. Transparent rate: ≥ 78%
6. Operating pressure: 50-120g
7. Operational life spa: ≥ 1,000,000 times
8. Life span with pen operation: 100,000 times
9. Operating temperature: -20°C ~ +70°C
10. Storage temperature: -30°C ~ +80°C
11. X: 200-900 Ω Y: 200-900 Ω.
12. Unmarked tolerance: ± 0.2mm
13. Meet ROHS environmental requirements



SCALE: 1 : 1 NOT TO SCALE		R X Reshine Display (HK) Technology Co., Limited	
PAGE: 1 OF 2		Tel.: 0755-29190292 Fax: 0755-29190291	
GENERAL TOL. 0.20mm	UNITS MM		
APPROVALS	DATE	MODEL NUMBER : RXA-045009-01	
APP Mychan	2017-03-26	CUSTOMER P/N :	
CHK Amor11	2017-03-26	DATE: 2019-03-26	
DWN Amor11	2017-03-26	PROJECTION	