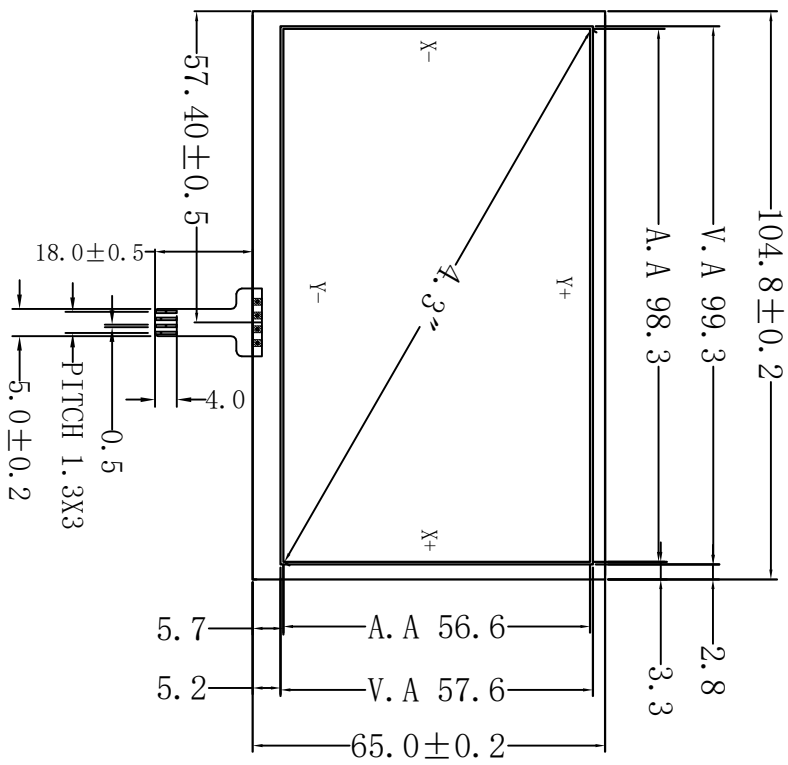
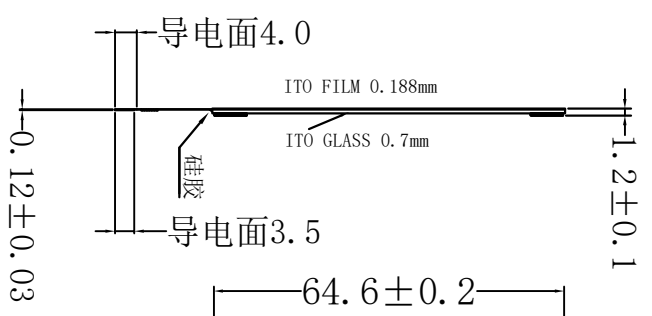


REV.	DESCRIPTION	DATE

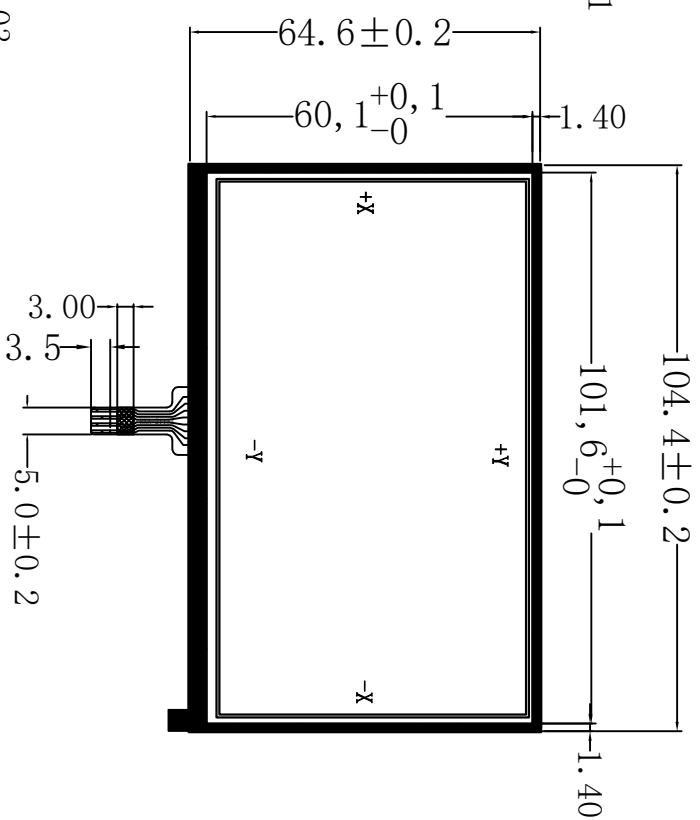
Front view



Side view

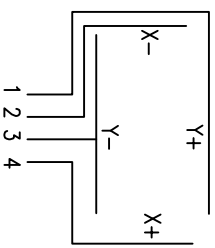


Back view



Technical parameters:

1. Structure: films+glass+FPC(Matte anti-scratch)
2. Total thickness: 1.2 ± 0.15mm
3. Insulation resistance: ≥ 20MΩ (25V DC)
4. Linear: ≤ 1.5%
5. Transparent rate: ≥ 78%
6. Operating pressure: 50-120g
7. Operational life spa: ≥ 1,000,000 times
8. Life span with pen operation: 100,000 times
9. Operating temperature: -20°C ~ +70°C
10. Storage temperature: -30°C ~ +80°C
11. X: 200-900Ω Y: 200-900Ω
12. Unmarked tolerance: ± 0.5mm
13. Meet ROHS environmental requirements



Logic diagram

SCALE: 1 : 1 NOT TO SCALE	PIN	OUT	
PAGE: 1 OF 2	1	Y+	
GENERAL TOL. 0.50mm	2	X-	
APPROVALS	3	Y-	
APP	4	X+	
Mychan			
Amoril			
CHK			

UNITS MM	DATE 2014/04/18
DATE 2014/04/18	DATE 2014/04/18

MODEL NUMBER : RXA-043001-10	PROJECTION	CUSTOMER P/N :

Reshine Display (HK) Technology Co., Limited	DATE: 2014/04/18
Tel: 0755-29190292	
Fax: 0755-29190291	

此图由 Autodesk 教育版产品制作