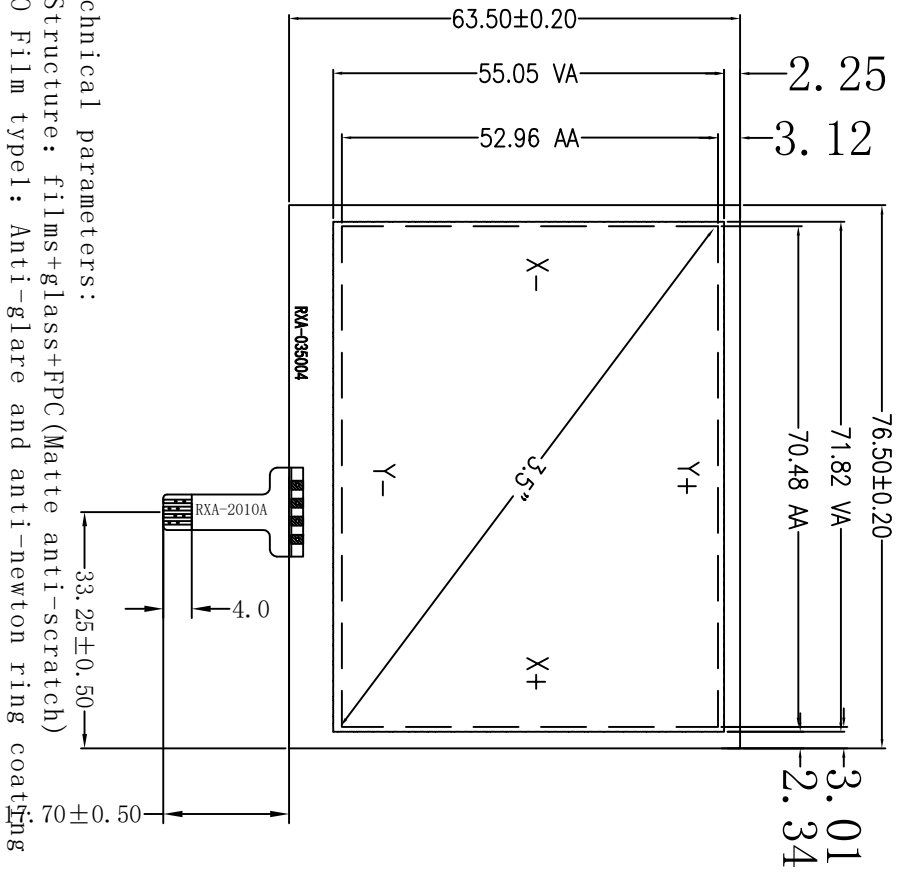
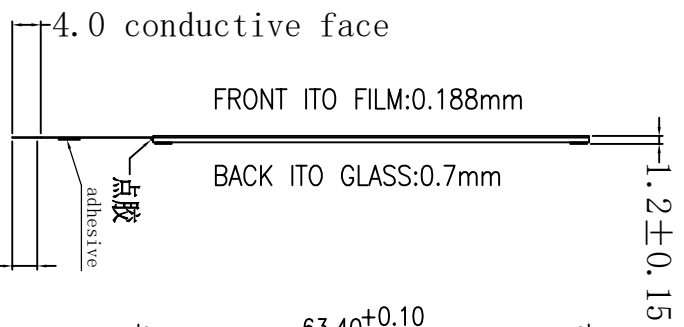


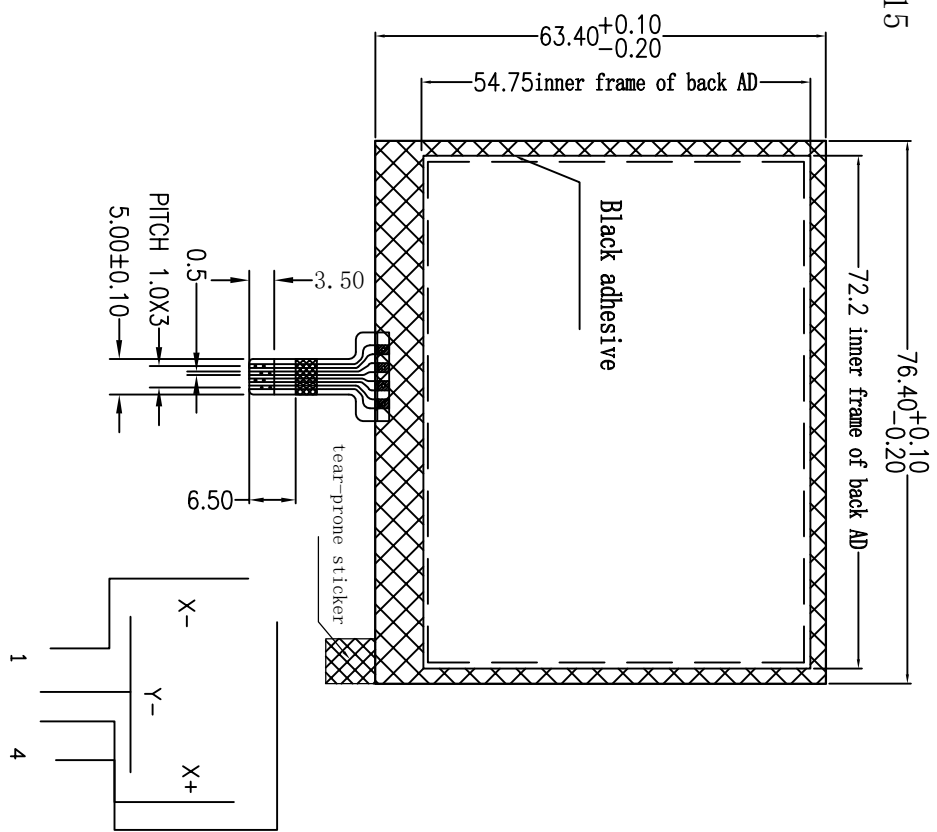
Front view



Side view



Back view



- Technical parameters:
1. Structure: films+glass+FPCC (Matte anti-scratch)
 2. ITO Film type: Anti-glare and anti-newton ring coating
 3. Circuit level: DC5V 1mA
 4. Insulation resistance: $\geq 20M\Omega$ (25V DC)
 5. Linear: $\leq 1.5\%$
 6. Transparent rate: $\geq 78\%$
 7. Operating pressure: 50-120g
 8. Operational life spa: $\geq 1000,000$ times
 9. Operating temperature: $-30^{\circ}C \sim +70^{\circ}C$
 10. Storage temperature: $-30^{\circ}C \sim +80^{\circ}C$
 11. Unmarked tolerance: $\pm 0.5mm$
 12. X: 200-900 Ω Y: 200-900 Ω
 12. Meet ROHS environmental requirements

SCALE: 1 : 1 NOT TO SCALE		UNITS MM	
PAGE: 1 OF 2		3.5	
GENERAL TOL. 0.50mm			
APPROVALS	DATE	MODEL NUMBER :	
APP Mychan	2014/05/18	RXA-035004-01	
CHK Amor11	2014/05/18	PROJECTION	
Tel: 0755-29190292		Fax: 0755-29190291	
Reshine Display (HK) Technology Co., Limited		CUSTOMER P/N :	
		DATE: 2014/05/18	
		Y+	

REV	DATE	DESCRIPTION