

# WYT-T

## 永磁同步曳引机

### PM Traction Machine

WYT-T系列是我司主力推出的经典款外转子永磁同步曳引机。此系列经过10余年的不断改善，产品质量非常稳定，性能指标国内领先，产品覆盖范围极广，成为现在高性能电梯的首选产品。

WYT-T series outer rotor PMS machine is Bluelight's most popular product. After 10 years of continuous improvement, this series product has high quality standard, with superior performance, and can cover wide range of elevator application. It is your first choice for high performance elevator.

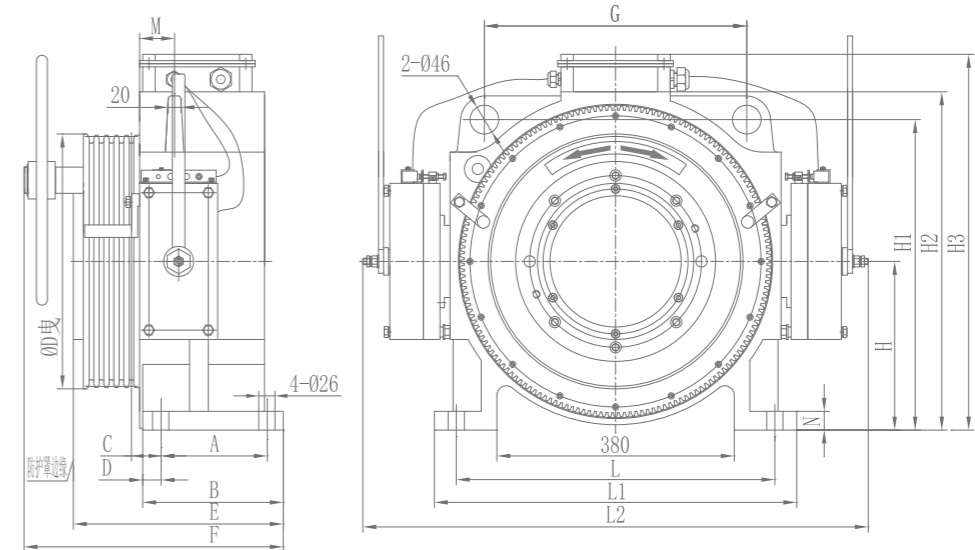
#### 主机技术参数 (Parameter of Traction Machine)

额定电压 (Voltage) : AC380V  
 悬挂比 (Roping) : 2: 1  
 钢丝绳绕法 (Wrap) : 单绕 (Single)  
 额定载重量 (Capacity) : 450kg~2500kg  
 轿厢速度 (Speed) : 0.5m/s~3.0m/s  
 防护等级 (Protection Grade) : IP41  
 绝缘等级 (Ins. Class) : F  
 曳引机极数(Traction machine pole): 30  
 启动频次(次/小时, Stars per hour): 240  
 工作制(Rating): S5~40%



#### 特点 (Features)

- ◎ 合理的机械结构设计，轴负荷大，运行安全系数高；
- ◎ 高效率、高转矩密度设计，优化的极槽配合；
- ◎ 主机运行平稳，噪音低，振动小；
- ◎ 轿厢速度、载重量覆盖广；
- ◎ 采用无闸臂块式制动器，响应快，可靠性高。
- ◎ Optimized mechanical structure design, high shaft load, high operating safety factor;
- ◎ High efficiency, high torque density design and optimized pole slot coordination;
- ◎ Machine run smoothly, with low noise & small vibration;
- ◎ This series covers wide range of elevator speed & capacity.
- ◎ Use block type armless brake, it has fast response time & high reliability.



外观尺寸图 | Outline drawing

#### 制动器技术参数 (Parameter of Brake)

型号 (Model) : BLB      绝缘等级 (Ins.Class) : F      额定电压 (Voltage) : DC110V  
 额定电流 (Current) :

| 系列<br>Series | 型号<br>Model | 梯速(m/s)<br>Speed | 载重代号<br>Capacity code                  | 额定电流<br>Current            |
|--------------|-------------|------------------|--|----------------------------|
| WYT-T        |             | 0.5~2.0          | A, B, AL, AS, BS, CS, DS(450kg~1000kg) | 1.1A                       |
|              |             |                  | C, D, E, BL, CL, DL (630kg~1150kg)     | 1.3A                       |
|              | D           | 0.5~3.0          | C, D, E, CL, DL, EL(800kg~1150kg)      | 1.6A                       |
|              |             | 0.5~2.0          | C, D, E, F (1275kg~2000kg)             |                            |
|              |             | E                | 0.5~3.0                                | CL, DL, EL (1275kg~1600kg) |
|              |             |                  | 0.5~2.0                                | G (2500kg)                 |
| 0.5~3.0      | FL (2000kg) |                  |  |                            |