

WYT-H

永磁同步曳引机

PM Traction Machine

WYT-H系列主机是我公司推出的高性能大转矩超高速无齿轮永磁同步曳引机，适合超高层建筑电梯使用。经过不断的电磁及机械结构的优化，主机性能达到国际先进水平。

WYT-H series ultra-high speed PM gearless traction machine is developed by Bluelight in 2012 to target skyscrapers with ultra-high speed elevator (up to 8m/s).

主机技术参数 (Traction Machine Parameter)

额定电压 (Voltage) : AC380V

悬挂比 (Roping) : 1: 1

钢丝绳绕法 (Wrap) : 复绕 (Double)

额定载重量 (Capacity) : 1600kg

轿厢速度 (Speed) : 5m/s ~ 8m/s

防护等级 (Protection Grade) : IP41

绝缘等级 (Ins. Class) : H

曳引机极数 (Traction machine pole): 30

启动频次(次/小时, Stars per hour): 240

工作制(Rating): S5-40%

推荐提升高度(Elevator Height): ≤360m



制动器技术参数 (Brake Parameter)

型号 (Model) : EC-4026EF-100

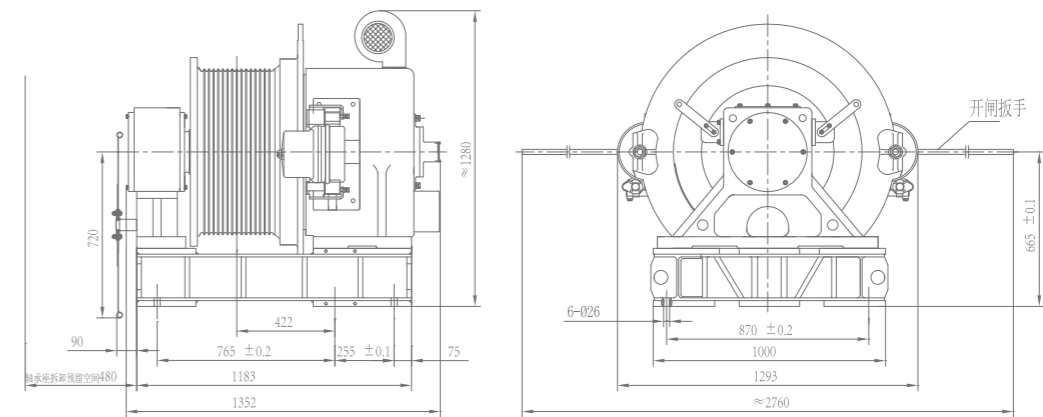
绝缘等级 (Ins.Class) : F

额定电压 (Voltage) : DC90/40V

额定电流 (Current) : 4.7/2.1A

特点 (Features)

- ◎ 超大轴负荷设计,超高速设计;
- ◎ 优化的绕组使曳引机振动小,噪音低,损耗分布合理,精细的风冷散热设计,温升低;
- ◎ 原装进口碟刹制动器,制动系统安全可靠;
- ◎ Extra high shaft load design, suitable for ultra-high speed operation;
- ◎ Optimized winding design, less harmonic content, loss distribution optimization, fan cooling system with low temperature rise;
- ◎ Use SUNTES disk brake system, high reliability.



外观尺寸图 | Outline drawing

WYT-H外转子系列 WYT-H Outer Rotor Series

系列 Series	型号 Model	载重 Capacity (kg)	轿厢速度 Speed (m/s)	曳引轮直径 Sheave (mm)	槽数 Num	绳径 (mm)	槽间距 Pitch (mm)	额定电流 Current (A)	额定转速 Motor Speed (rpm)	额定频率 Frequency (Hz)	额定功率 Power (kW)	额定转矩 Torque (Nm)	最大轴负荷 Shaft Load (kg)	主机重量 Weight (kg)
WYT-H	5.0E1	1600	5.0	φ710	16	φ16	20	111.4	134	33.6	51	3626	35000	≈3500
	6.0E1		6.0					135.3	161	40.3	61.2			
	7.0E1		7.0					158	188	47.1	71.5			
	8.0E1		8.0					172.7	215	53.8	81.7			