

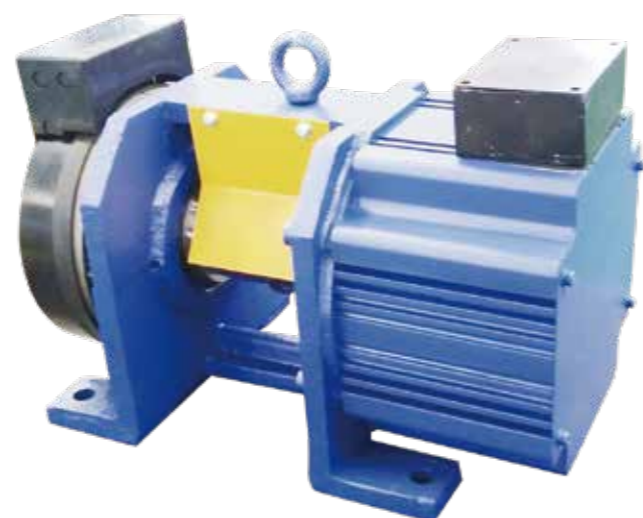
WYT-F

永磁同步曳引机(钢带别墅梯)

PM Traction Machine(Belt villa)

针对日益增长的家庭电梯市场，蓝光集团开发了WYT-F系列家庭曳引机，使用钢带作为传动介质，配合蓝光集团配套开发的STD32KN系列电梯专用钢带，使电梯舒适感更好，噪音更小。同时曳引机体积小，适合无机房设计，安装维护简单。

Due to increase needs of home (belt villa) elevator, Bluelight group develop WYT-F series belt drive PMS machine. The belt machine can work with Bluelight belt (STD32KN) to achieve best lift comfort level with minimum operation noise. This series machine has small size suitable for MRL design and easy maintenance.



主机技术参数 (Parameter of Traction Machine)

额定电压 (Voltage) : AC380V/AC220V

悬挂比 (Roping) : 2: 1

钢丝绳绕法 (Wrap) : 单绕 (Single)

额定载重量 (Capacity) : 400kg

轿厢速度 (Speed) : 0.4m/s

防护等级 (Protection Grade) : IP41

绝缘等级 (Ins. Class) : F

曳引机极数(Traction machine pole): 8

启动频次(次/小时, Stars per hour): 150

工作制(Rating): S5-25%

推荐提升高度(Height): ≤20m

特点 (Features)

- ◎ 外壳采用铝合金材质，具有良好的散热性，体积小，重量轻；
- ◎ 运行平稳，低速性能好；
- ◎ 主机采用轴刹制动器，结构紧凑，制动噪音低。
- ◎ Machine is made of aluminum alloy material, with good heat dissipation, small size and light weight;
- ◎ Smooth running, excellent performance at low speed;
- ◎ Configured with shaft brake of low noise and compact structure.

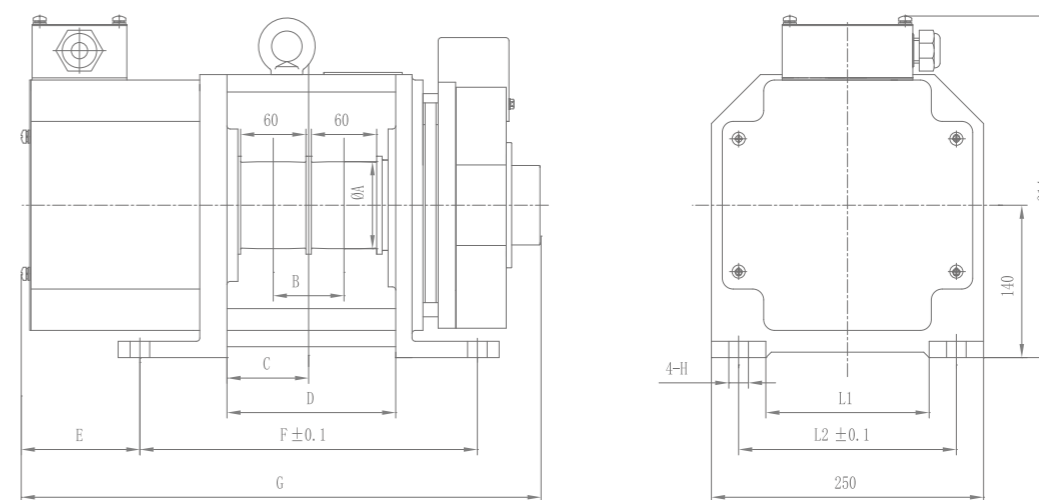
制动器技术参数 (Parameter of Brake)

型号 (Model) : BLS

绝缘等级 (Ins.Class) : F

额定电压 (Voltage) : DC110

额定电流 (Current) : 1.1A



外观尺寸图 | Outline drawing

WYT-F内转子系列 WYT-F Inner Rotor Series

型号 Model	规格 Type	载重 Capacity (kg)	轿厢速度 Speed (m/s)	曳引轮直径 Sheave (mm)	槽数 Num	槽宽 (mm)	槽间距 Pitch (mm)	额定电压		额定电流 Current (A)	额定转速 Motor Speed (rpm)	额定频率 Frequency (Hz)	额定功率 Power (kW)	额定转矩 Torque (Nm)	最大轴负荷 Shaft Load (kg)	主机重量 Weight (kg)	安装尺寸 Dimension(mm)											
								220	380								A	B	C	D	E	F	G	H	L1	L2		
WYT-F	DV2	400	0.4	φ80	2	60	65	220	380	6	191	12.7	1.2	60	1800	≈73	80	65	75	155	109	310	476	φ18	150	200		
	EV2	400	0.4	φ100	2	60	260	220	380	6	153	10.2	1.2	75	1800	≈100	100	260	169	338	240	388	737	M12	136	170		
	EV3	400	0.4	φ100	2	60	260	220	380	6	153	10.2	1.2	75	1800	≈100	100	260	169	338	240	388	737	M12	136	170		