



2018

## LEDWIDE Lighting Catalogue

深圳市里外光电科技有限公司  
LEDWIDE LIGHTING CO., LTD

2018

Review  
Prospect





# CONTENTS



## P01 ABOUT US

Company introduction

Product certification



## P03 OUR STRENGTH

Product design

Custom-made production

Packing and transportation

Business cooperation



## P13 CASE SHOW

Surface

Round

Bendable

Recessed

Wall

Plaster-in

Corner

Popular

Indirect panel  
illuminated profiles

Ceiling

Trimless

Floor and stair

Architectural

Curved ring profiles



# About US

LEDWIDE manufacturers high-quality LED products and offers full lighting solutions with over 10-year experience in the lighting field. Unique design, multi-functional is our success to cooperate with long term customers worldwide.

All of our aluminum profiles are used in 6063 grade with T5 temper, and with strict quality control system to ensure the finish, dimension, function and ect., which ensure 5 years+ warranty.

Furthermore, our LED strips are manufactured in high standard, using one single BIN to ensure color uniformity from orders, owing 3 years+ warranty.

"Customer first" is our core culture, and we're devoted to providing more and more "custom lighting solutions" such as: 1. custom length at max. 6m 2. custom cutting to achieve any required shape 3. custom light source either in pendant, surface mount or recessed .....

Recently, with the higher demand and changes in the global market, we keep developing and searching for more useful products, and all items are regularly updated to keep releasing new products each month.

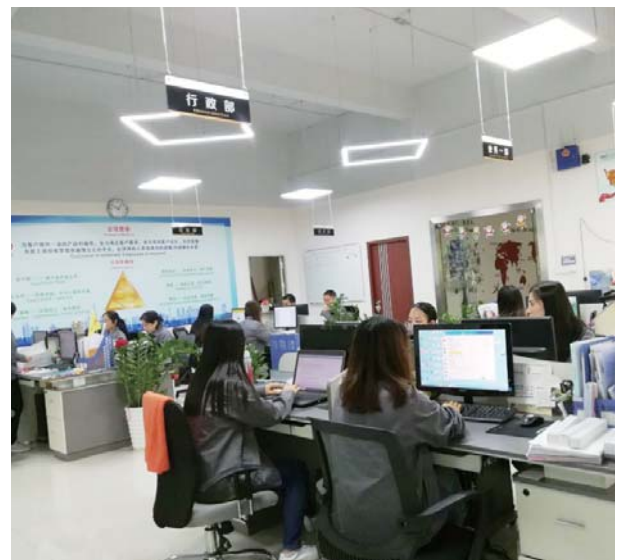
## **Our Culture**

Credit First, Customer First, Quality First, Service First

## **Our Core Value**

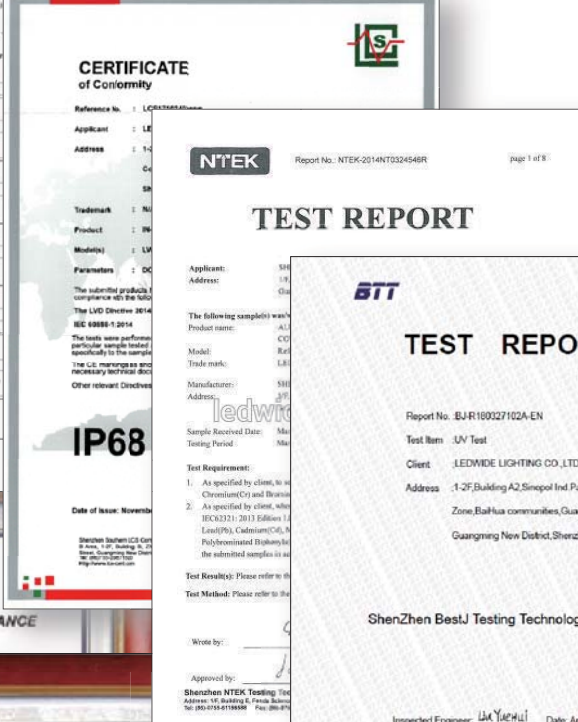
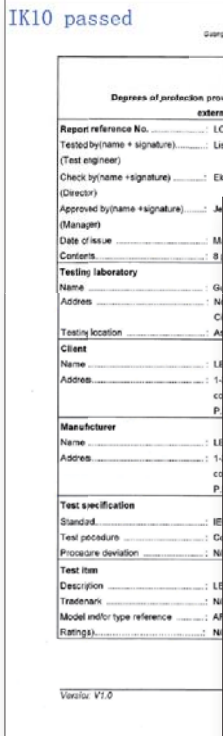
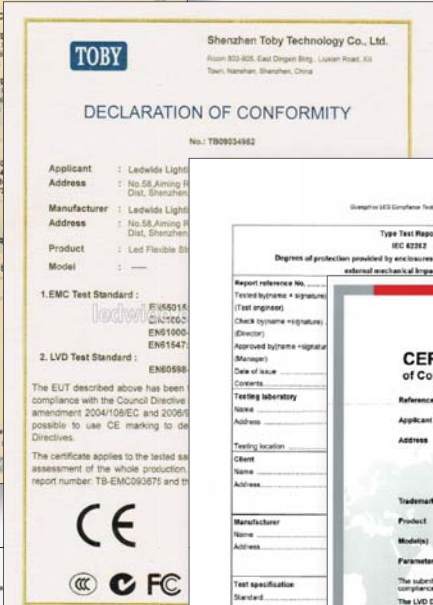
Quality, Innovation, Integrity

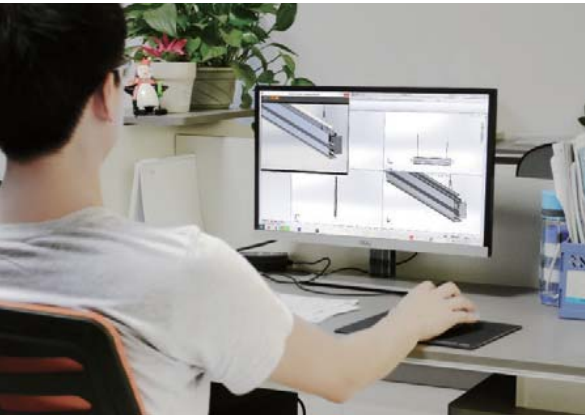
It is our great honor to work with you. LEDWIDE, always be your trusted partner in LED lighting field!!!



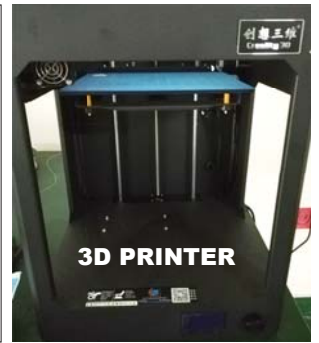
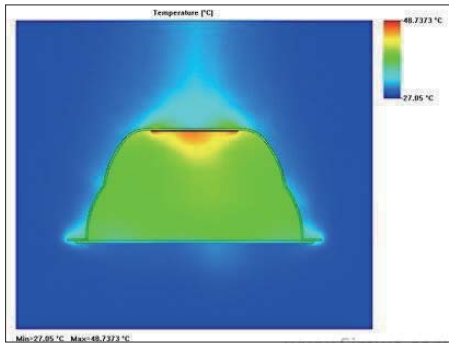
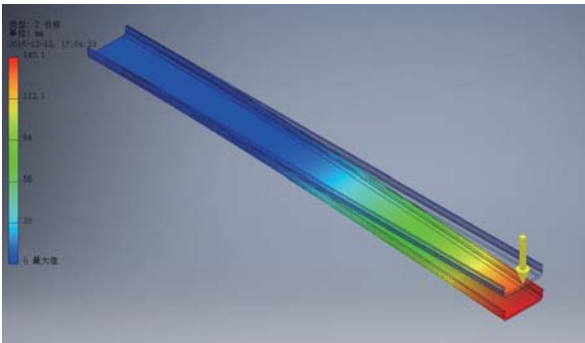


# Authentication

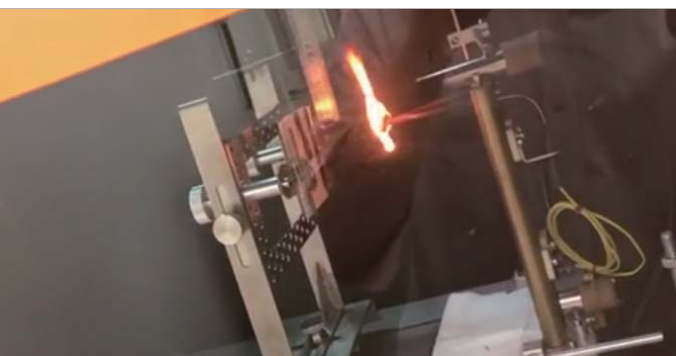
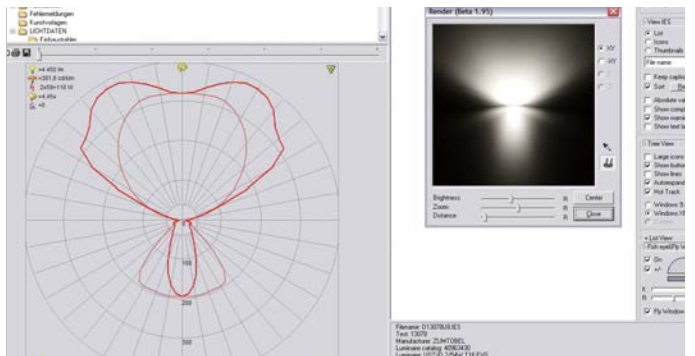




# Design



# IES TEST



# Flammability test

# Integrating sphere test







- Anodizing**
1. Two anodizing lines, monthly output 500T. Anodizing thickness is up to 25um.
  2. Color choices: Silver, bronze, champagne, titanium, nickel, golden yellow, etc.
  3. Standard: DIN, AAMA, AS, CHINA GB.



- Powder Coating**
1. Two powder coating lines, monthly output 600T. Swiss machine GEMA.
  2. Powder coating thickness is more than 60um. AKZO NOBEL INTERPON, NIPPON. Weather Resistance: more than 10 years.
  3. Standards: DIN, AAMA, AS, CHINA GB.



### Polishing

1. Monthly output 300T.
2. Three-acid chemical polishing and mechanical polishing.
3. Color choices: Silver, nickel, golden yellow, black, etc.

### Brushing

1. Monthly output 300T.
2. Brushing with nylon brush and then anodizing, or chemical polishing.
3. Effect: Filamentous strips on the surface.
4. Color choices: Silver, nickel, golden yellow, black, bronze, etc.



- Fabrication**
1. Machining: Cutting, punching, drilling, bending, weld, mill, CNC, etc.
  2. Cutting tolerance +/-0.5MM.
  3. Machining tolerance +/-0.5MM.



Our company offers both PC(polycarbonate) and PMMA(acrylic) Diffuser, available with optional colors:

PMMA: Opal, Milky, Frosted, Clear

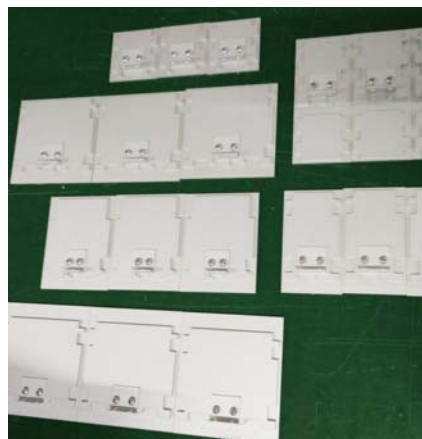
PC: Opal, Frosted, Clear

With the demanding of cost effective and quality diffuser, we develop a fresh new PMMA diffuser with our own formula.

- Larger light transmittance
- UV resistant, can be applied outdoor
- Better flexibility, can be rolled at max. 25m

Our Accessories mainly contain endcaps, metal clips, adjustable clips, spring clips, suspension kits, joiners and ect. However, we make it more user-friendly:

- Special endcaps design to prevent light leakage
- Custom suspension kit's wire length for pendant application
- Custom joiners to achieve different angle or shape
- Very popular screwless alu endcaps



# Aluminum custom

LEDWIDE offers custom cutting in any length at max. 6m, and it's precise to mm. Normally we use 90°180°120° or any type joiners to connect the pieces, easy to ship and install.

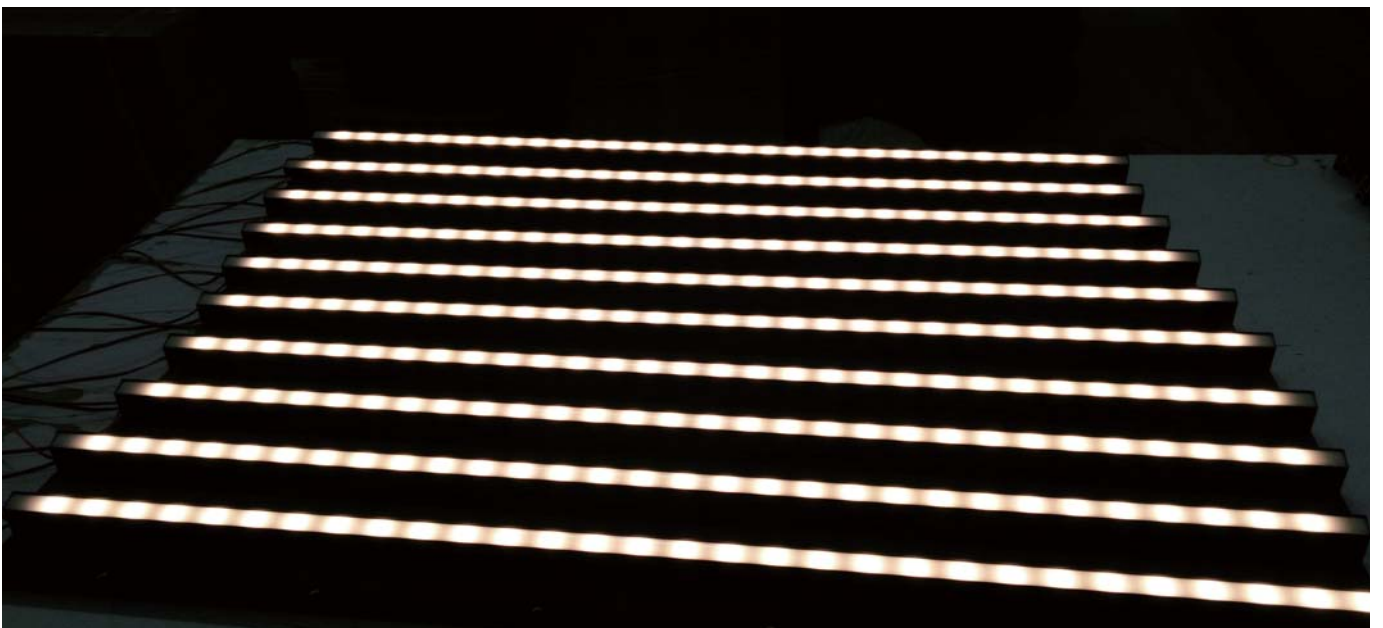
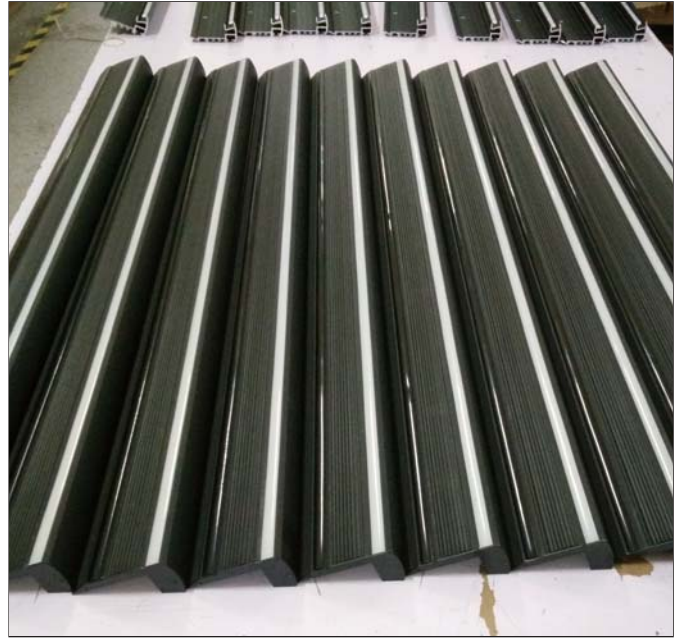
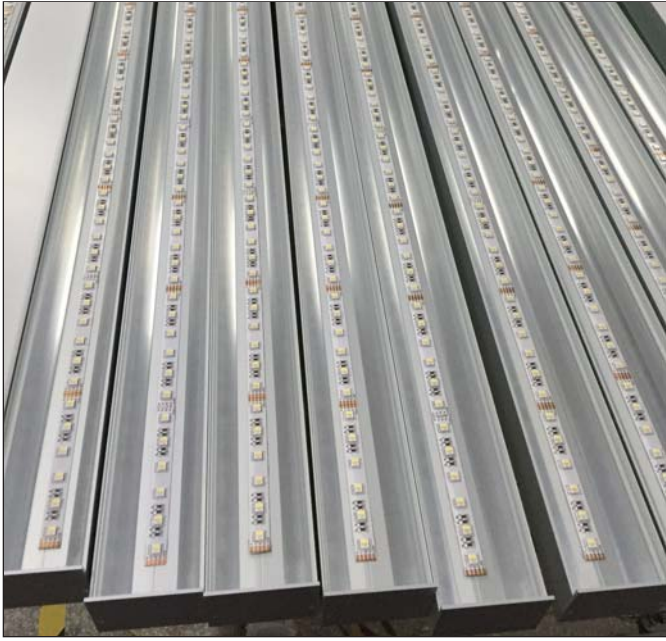
You can just tell us what angle or shape you want, then we make it for you. Moreover, having LED strips pre-installed in the required shape is no problem.

Plus, we're pleased to serve customers with CNC engraving alu endcaps. Some of our profiles already come with screwless type, and if you need customized one, we're happy to custom any alu endcaps for you! Either mill finish or silver anodized is upon your request.

You offer us drawing, we CUSTOM for you to make it real!!!







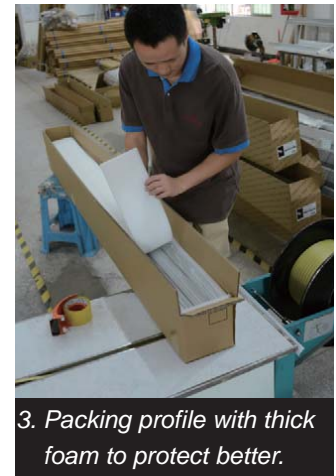




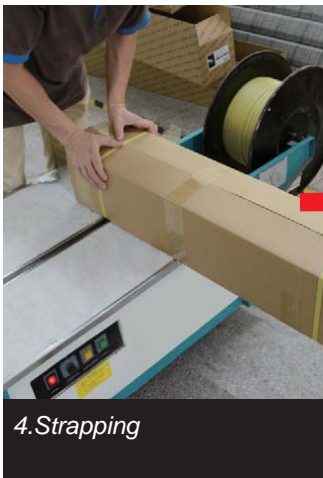
1. Warehouse



2. Cleaning profiles



3. Packing profile with thick foam to protect better.



4. Strapping



5. Making the package more stable.



6 Ready for shipping.

Q1. Can we order special length for aluminum profile ?

A. Yes, any special length within 6 meters can be made upon your request. But the MOQ for the length longer than 2.5m is 500m per item.

Q2. What is MOQ for the aluminum profile and diffuser ?

A. Generally MOQ for aluminum profile and diffuser is 100meters per item, but it's upon to the exact item due to the different size and weight.

Q3. Can you do OEM, how about the mould cost?

A. OEM is welcomed. The mould cost depends on different design, we'll evaluate per your drawing.

Q4. How do you pack the goods well?

A. Standard package: using thick carton box and products are wrapped well by quality EPE foam for oversea shipping. Pallet+ paper tube+carton box package upon request.

Q5. What's the delivery time?

A. Samples within 3 days; for bulk cargo, 5 days if in stock, otherwise 15-20 days.

Q6. How do you ship the goods and how long does it take to arrive?

A. We usually ship by DHL, UPS, FedEx or TNT for the order below 200kgs. It usually takes 4-8 days to arrive. Airline and sea shipping are also accepted.

Q7. Do you offer guarantee for the products?

A. Yes, we offer at least 3 years warranty to our products.

Q8. What is the payment method?

A. Payment can be made by Bank transfer, credit card, Western union.(Flexible)

Q9. What are the main market of your products?

A. Our main market are America, Australia, Europe, UAE.

Q10. Can you accept a small trial order?

A. Sample or a small order is no problem to check our quality, we offer continuous service for you.

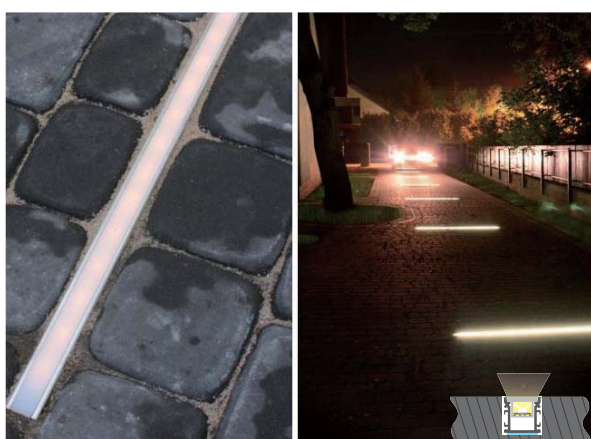


# Business partner





# Business cases





**LEDWIDE PRESENTATION KIT IS THE SIZE OF A STANDARD BINDER AESTHETIC PRESENTATION OF PROFILES**



**BOX1 Contains:**

35 samples of extrusions:

AS1	AT4
AS2	AT5
AS3	AT6
AR1	STAIR1
AR2	AR6
AR3	AW1
AP1	AW2
C22	AC1
AP2	AC2
ROUND24	AC3
AT11	AC4
AA	AC5
AF1	AL60
AST1	MDEGREE
CT1	GP1
CT2	WR2
CT3	AW35
B1	

**BOX2 Contains:**

12 samples of extrusions:

WN35  
WN31  
P35  
E50  
E60  
E80  
ER50  
ER60  
ER80  
P50  
TR50  
EH80

**BOX3 Contains:**

11 samples of extrusions:

AW4-1  
AW4-2  
AW5-1  
AW5-2  
P46  
P60  
P74  
ST3  
AW6  
W91  
AT7N

**BOX4 Contains:**

38 samples of extrusions:

AST1-M	AT4-O/C/F	AC1-O/C/F/M
AS1-O	AT5-O/M/F	AC2-O/C/F/M
AS2-F	AT11-F	AC3-C
AS3-M/F	AT6-C	AC4-O/C/F
AS5-O	AP2-O	AC5-O/C/F
AB1-O	MD-C	CT1-C
AB2-O	AF2-O	CT2-O
D005-U-0	D005-UH-0	CT3-F
AR1-M	AR3-O/C	WN31-O
WR2-O	B1-O	WN35-C
AW35-F	ST3-O	E80-M
AW5-1-M	P50-M/F	R60-O
TR50-M	P60-M/C	



Box dimensions:  
20cm x 15cm x 7cm

How to order: Sample cost **\$200**/3boxes

1-2/F, Building A2, Sinopol Ind.Park, First Industrial Zone,  
BaiHua communities, Guangming office,  
Guangming New District, Shenzhen, P.R. China  
Postcode: 518107  
Tel: 0086 755 29362351  
Direct: 0086 0 18680360436  
Fax: 86 755 29014058  
info@ledwide.com



Box dimensions:  
40cm x 36cm x 10cm

How to order: Sample cost **\$100**/Box

1-2/F, Building A2, Sinopol Ind.Park, First Industrial Zone,  
BaiHua communities, Guangming office,  
Guangming New District, Shenzhen, P.R. China  
Postcode: 518107  
Tel: 0086 755 29362351  
Direct: 0086 0 18680360436  
Fax: 86 755 29014058  
info@ledwide.com

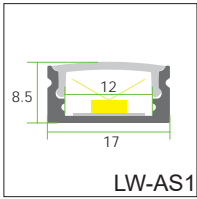
Information:



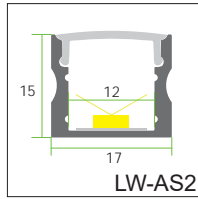
below is a table for your information: (we have tested)

Item No.	< 9.6W/m	< 14.4W/m	< 19.2W/m	< 28.8W/m	< 38.4W/m	< 57.6W/m
AS1	√	√				
AS2	√	√	√			
AS3	√	√	√			
AS4	√	√				
AS5	√	√				
AS9	√	√	√			
AS1N	√	√				
AST1	√	√				
AL60	√	√				
US20	√	√	√			
U20	√	√				
MD	√	√	√			
AR1	√	√				
AR2	√	√	√			
AR3	√	√	√			
AR4	√	√				
AR5	√	√				
AR6	√	√	√			
WR2	√	√	√			
AR9	√	√				
AC1	√	√				
AC2	√	√				
AC3	√	√				
AC4	√	√				
AC5	√	√				
AW7	√	√	√			
AT4	√	√	√			
AT5	√	√	√			
AT6	√	√	√			
AT11	√	√	√			
AT5H	√	√	√			
AT15-30	√	√	√			
AT7N	√	√	√			
AT12N	√	√	√			
AT12N-3	√	√	√			
AA	√	√				
AB	√	√				
AF1	√	√	√			
AF2	√	√	√			
AF3	√	√	√			
AT2N	√	√	√			
ST1	√	√	√			
STR3	√	√	√			
ROUND24	√	√	√			
ROUND34	√	√	√	√		
R60	√	√	√	√		
AW1	√	√	√			
AW2	√	√				
AW8	√	√	√			
AW4-1	√	√				
AW5-1	√	√	√			
AW35	√	√	√	√	√	
WN31	√	√	√	√	√	
WN35	√	√	√	√	√	
WN35-25	√	√	√	√	√	
WU35	√	√	√	√	√	
P35	√	√	√	√	√	
P46	√	√	√	√	√	
P50	√	√	√	√	√	
P60	√	√	√	√	√	√
P74	√	√	√	√	√	√
W91	√	√	√	√	√	√
TR35	√	√	√	√		
TR50	√	√	√	√	√	
TR60	√	√	√	√	√	√
TR80	√	√	√	√	√	√
E50	√	√	√	√	√	
E60	√	√	√	√	√	√
E80	√	√	√	√	√	√
E100	√	√	√	√	√	√
ER50	√	√	√	√	√	
ER60	√	√	√	√	√	√
ER7635	√	√	√	√	√	√
E80-22	√	√	√	√	√	√
EU60	√	√	√	√	√	√
EU80	√	√	√	√	√	√
B1	√	√				
CT4	√	√	√			
CT4N	√	√	√			
CT5	√	√	√			
CT5S	√	√	√			
CT6	√	√	√			
CT7	√	√	√			
AT13	√	√	√			
AT14	√	√	√			
C35	√	√	√	√	√	
WP2	√	√				

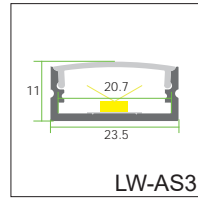
## SURFACE MOUNTED SERIES (unit:mm)



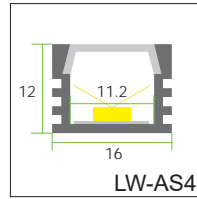
Page:22



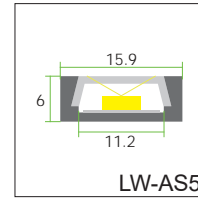
Page:22



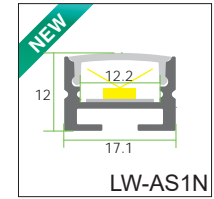
Page:23



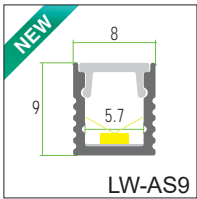
Page:23



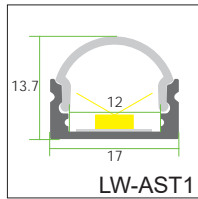
Page:24



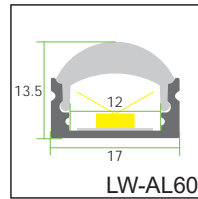
Page:24



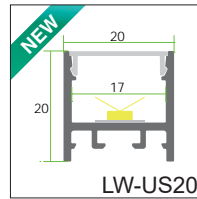
Page:25



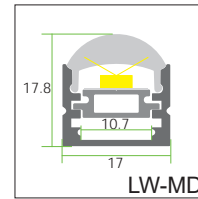
Page:26



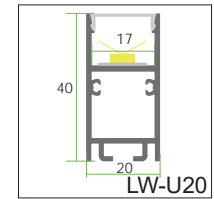
Page:26



Page:27

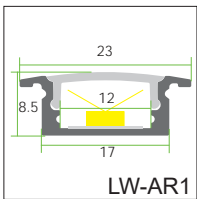


Page:27

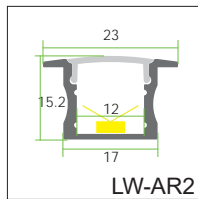


Page:28

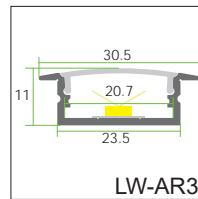
## RECESSED SERIES



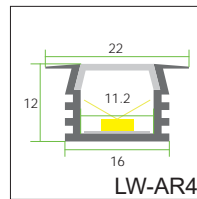
Page:30



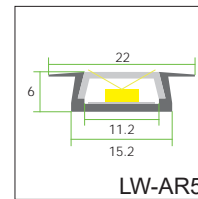
Page:30



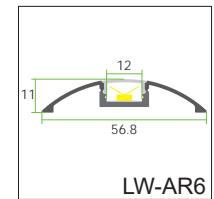
Page:31



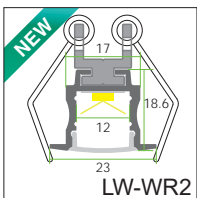
Page:31



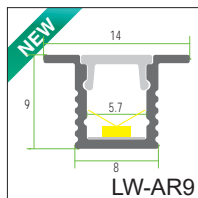
Page:32



Page:32

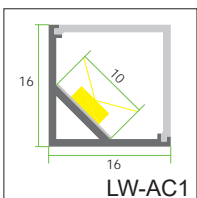


Page:33

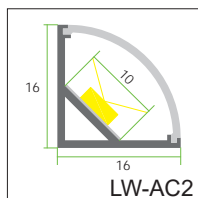


Page:34

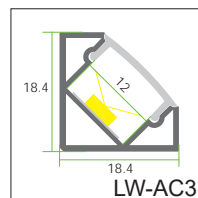
## CORNER SERIES



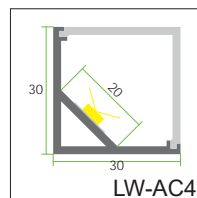
Page:36



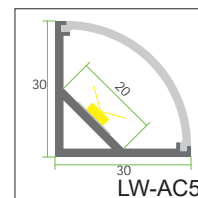
Page:37



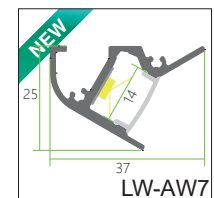
Page:37



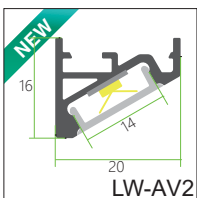
Page:38



Page:38



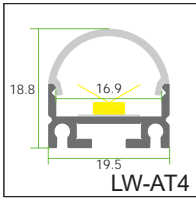
Page:39



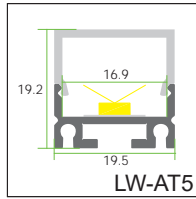
Page:40



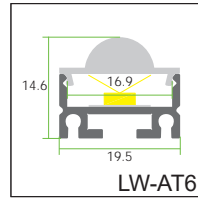
## CEILING SERIES (unit:mm)



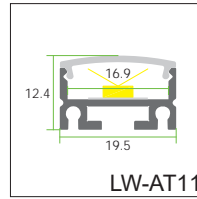
Page:42



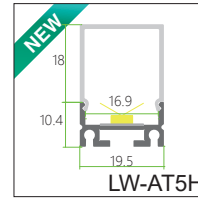
Page:42



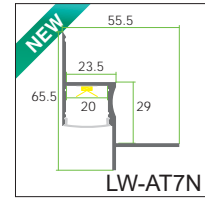
Page:43



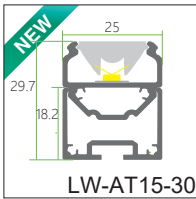
Page:43



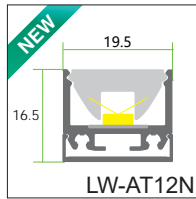
Page:44



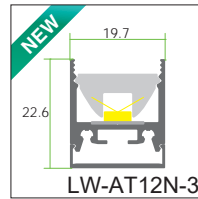
Page:44



Page:45

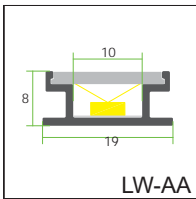


Page:46

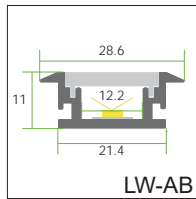


Page:47

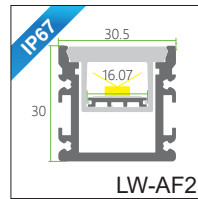
## INGROUND SERIES



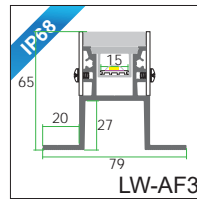
Page:49



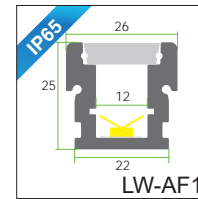
Page:49



Page:50

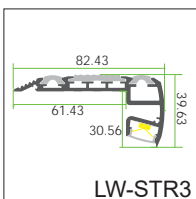


Page:51

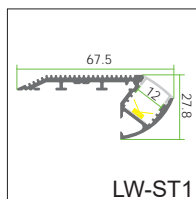


Page:52

## FLOOR AND STAIR SERIES

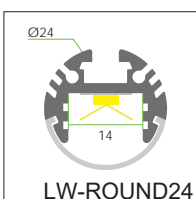


Page:54

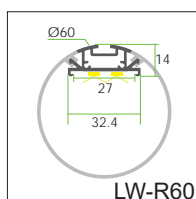


Page:54

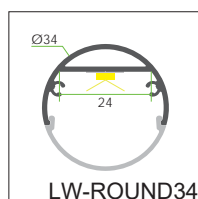
## ROUND SERIES



Page:56

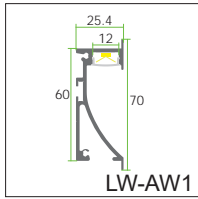


Page:56

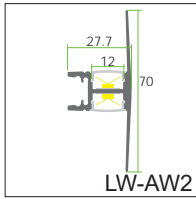


Page:57

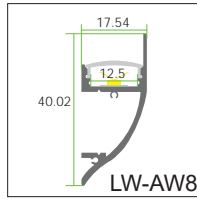
## WALL SERIES (unit:mm)



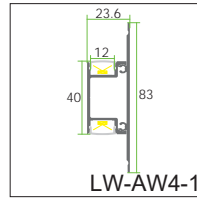
Page:59



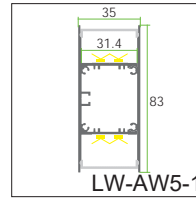
Page:59



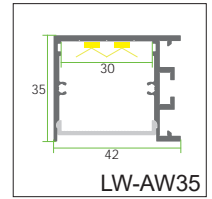
Page:60



Page:60

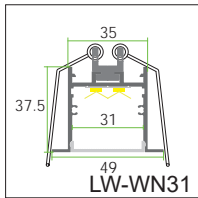


Page:61

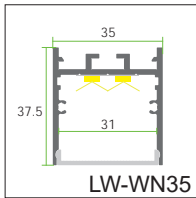


Page:62

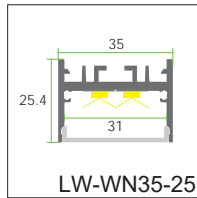
## POPULAR SERIES



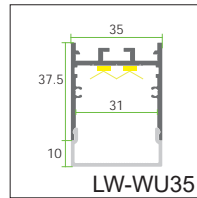
Page:64



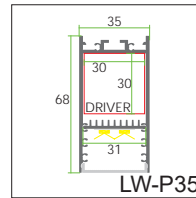
Page:64



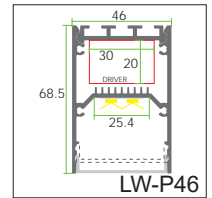
Page:65



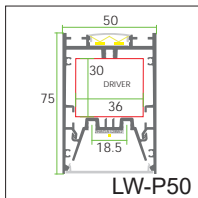
Page:65



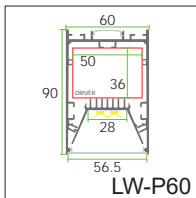
Page:66



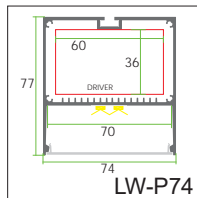
Page:66



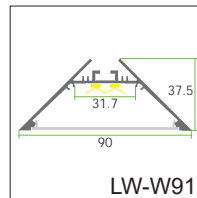
Page:67



Page:68

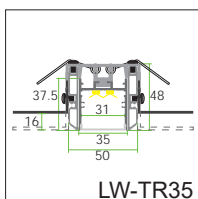


Page:69

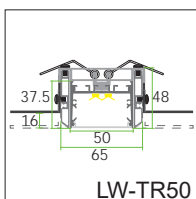


Page:69

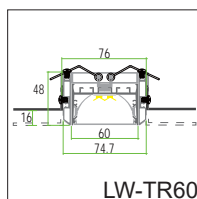
## TRIMLESS SERIES



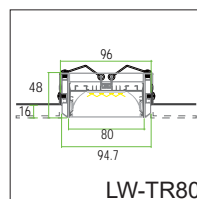
Page:71



Page:72

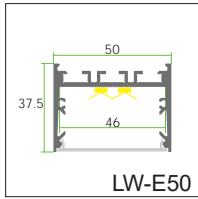


Page:73

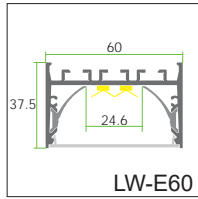


Page:73

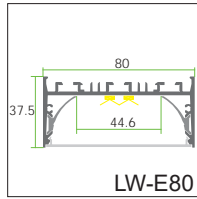
## ARCHITECTURAL SERIES (unit:mm)



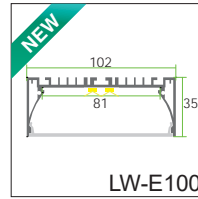
Page:75



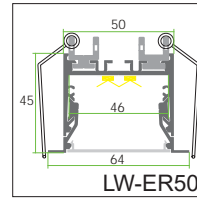
Page:75



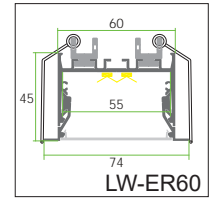
Page:76



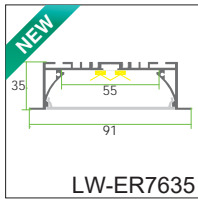
Page:76



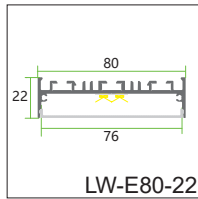
Page:77



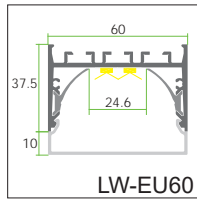
Page:77



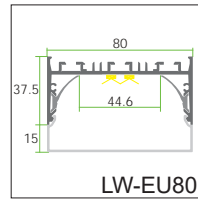
Page:78



Page:78

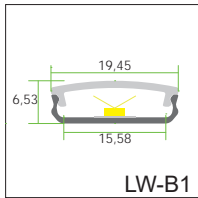


Page:79



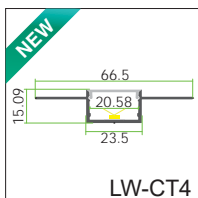
Page:79

## BENDABLE SERIES

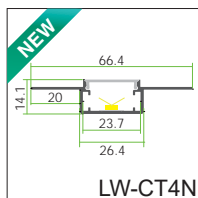


Page:81

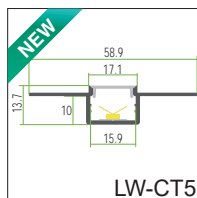
## PLASTER-IN SERIES



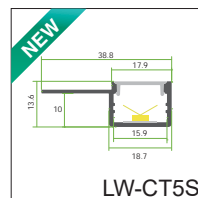
Page:83



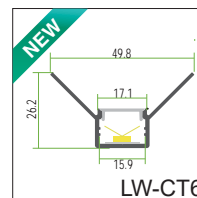
Page:84



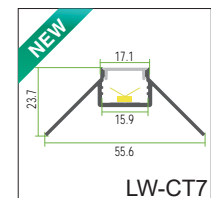
Page:85



Page:86



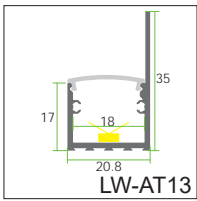
Page:87



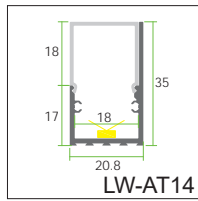
Page:88



## Indirect panel illuminated profiles SERIES (unit:mm)

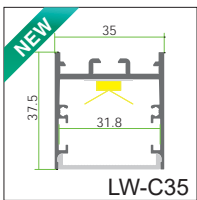


Page:90



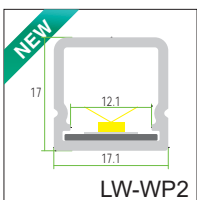
Page:91

## Curved ring profiles SERIES



Page:92

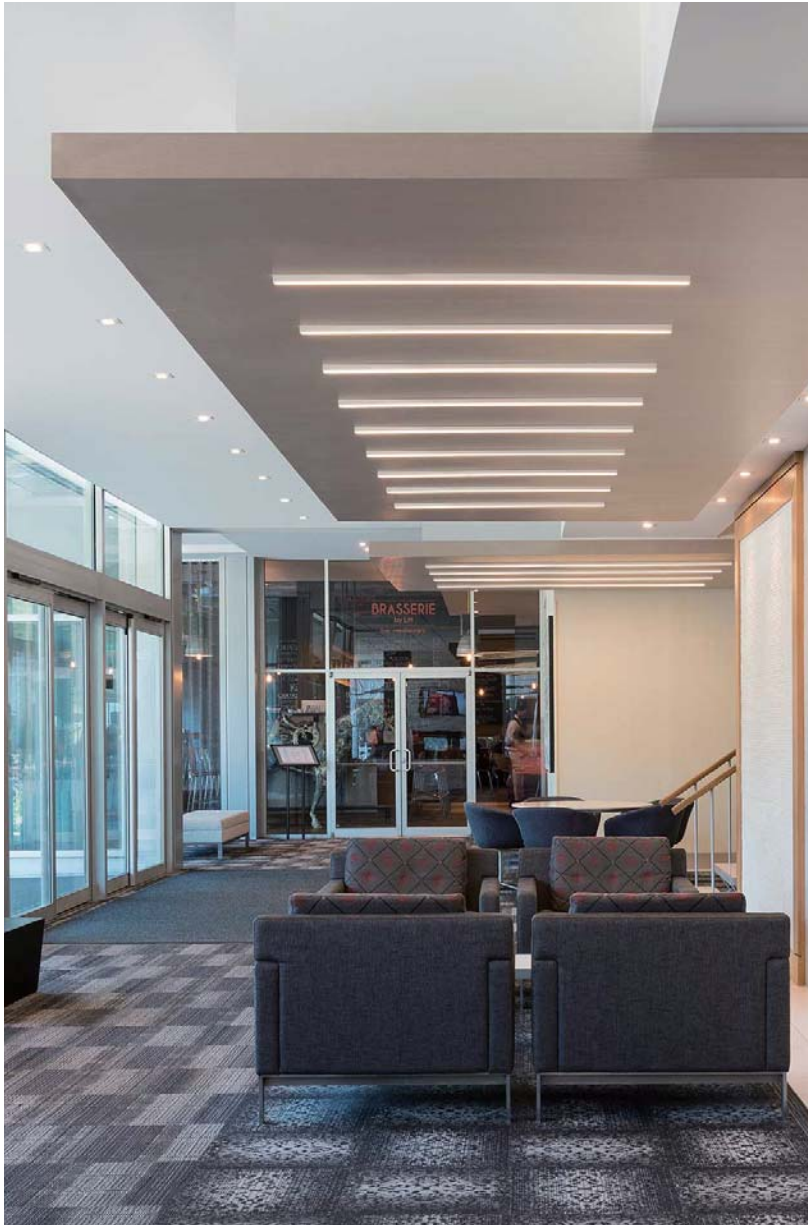
## Waterproof SERIES



Page:94

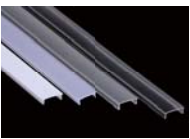
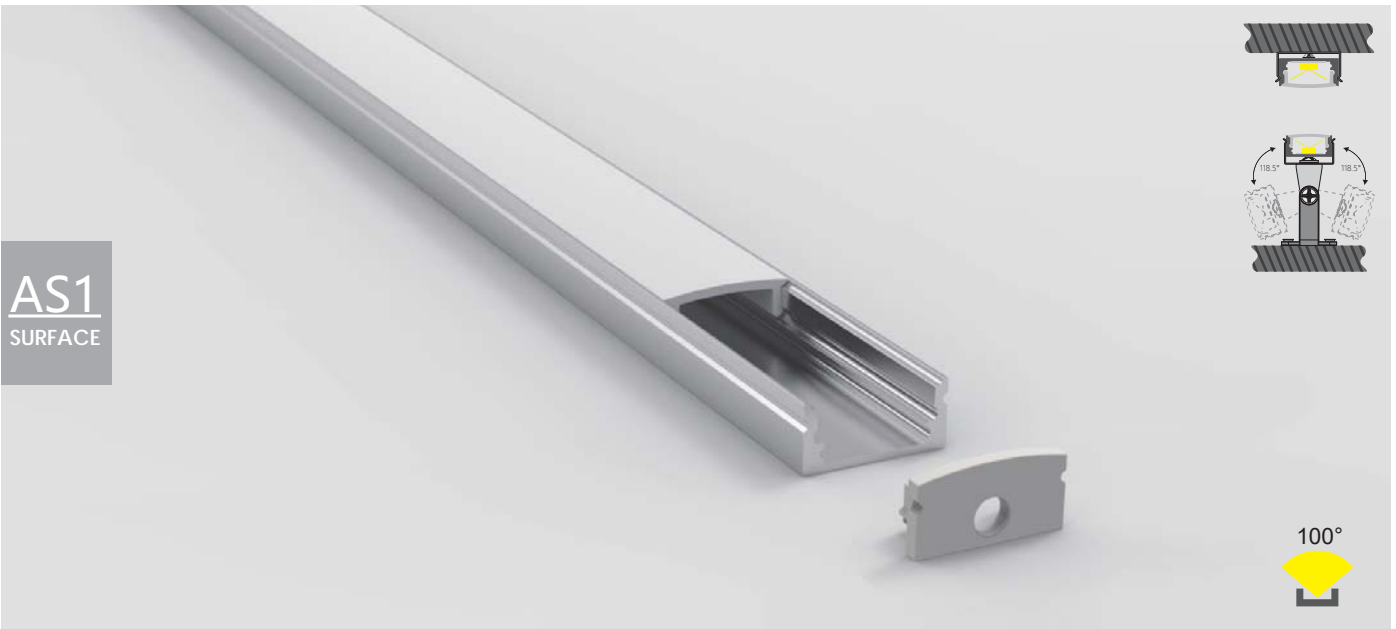


SURFACE





**AS1**  
SURFACE



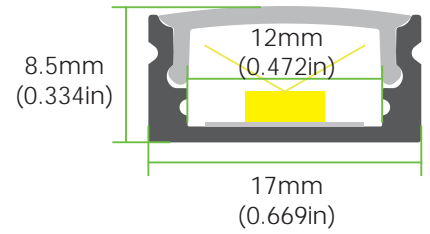
Optional Diffuser (PMMA/PC)



Plastic Endcap

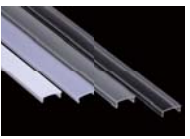
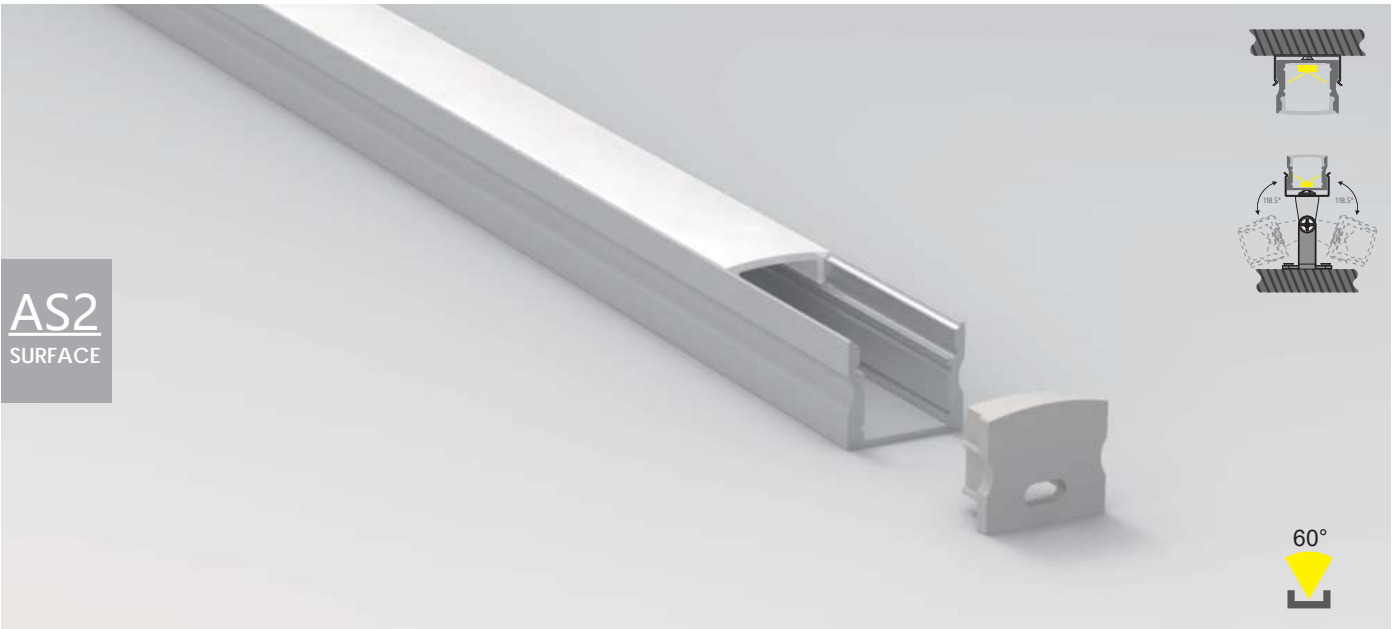


Metal Clip

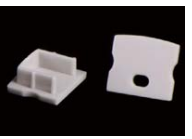


Adjustable Clip

**AS2**  
SURFACE



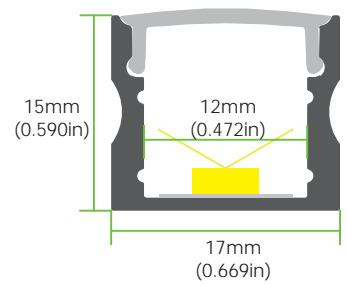
Optional Diffuser (PMMA/PC)



Plastic Endcap

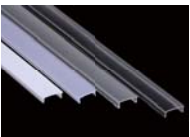
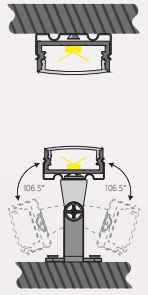


Metal Clip



Adjustable Clip

**AS3**  
SURFACE



Optional Diffuser  
(PMMA/PC)



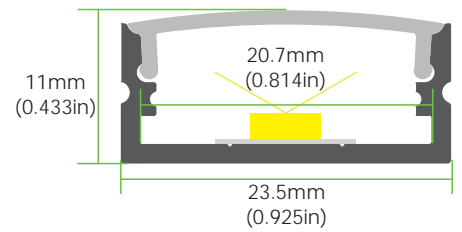
Plastic Endcap



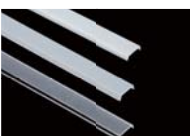
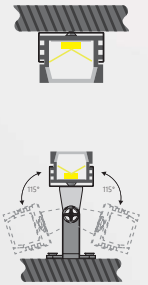
Metal Clip



Adjustable Clip



**AS4**  
SURFACE



Optional Diffuser  
(PC)



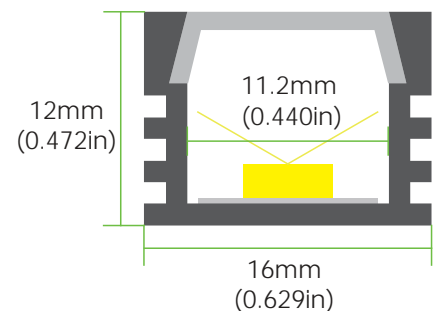
Plastic Endcap



Metal Clip



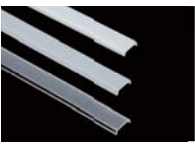
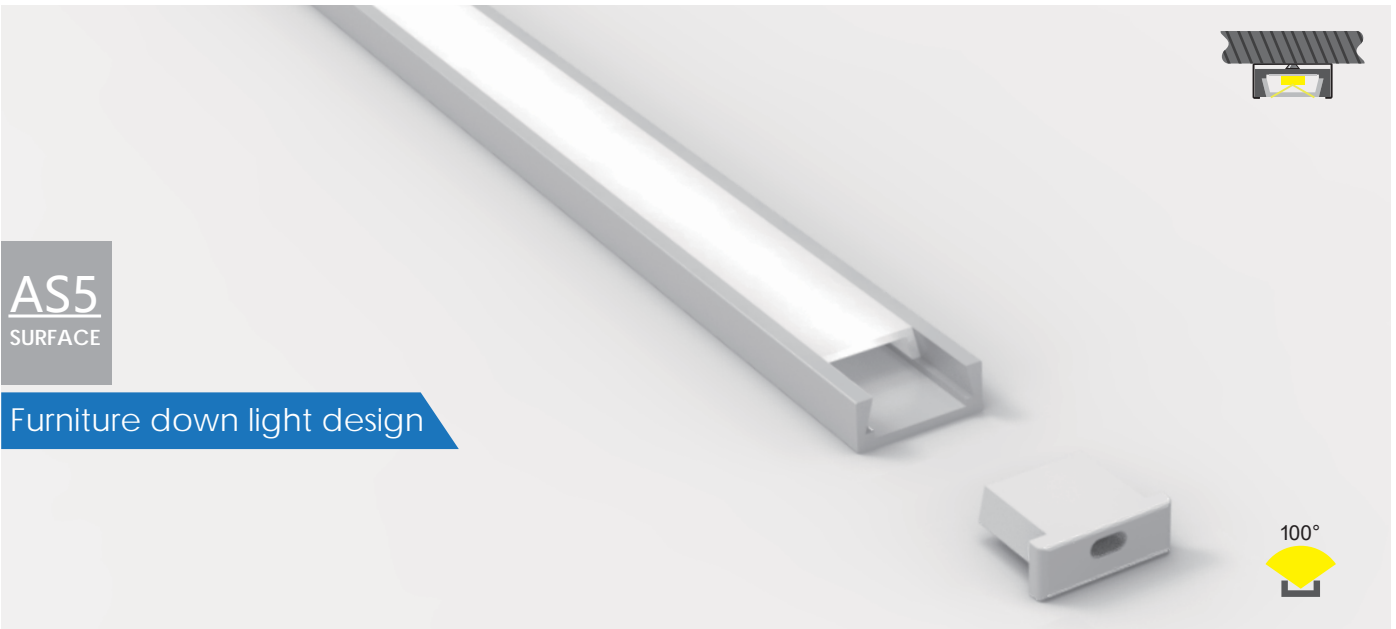
Adjustable Clip



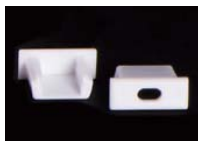


**AS5**  
SURFACE

Furniture down light design



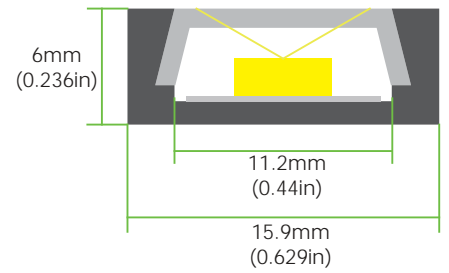
Optional Diffuser (PC)



Plastic Endcap

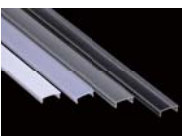


Metal Clip



**AS1N**  
SURFACE

Groove for hiding wires and pendant



Optional Diffuser (PMMA/PC)



Plastic Endcap



Metal Clip



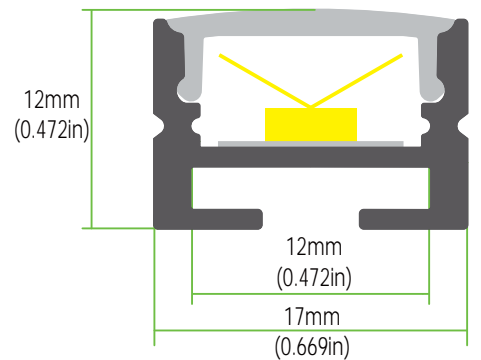
Joiners

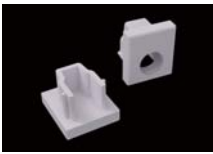


Suspension Kits

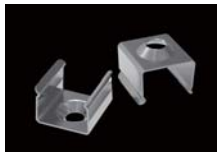


Adjustable Clip

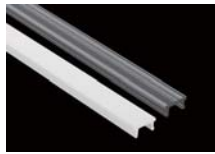




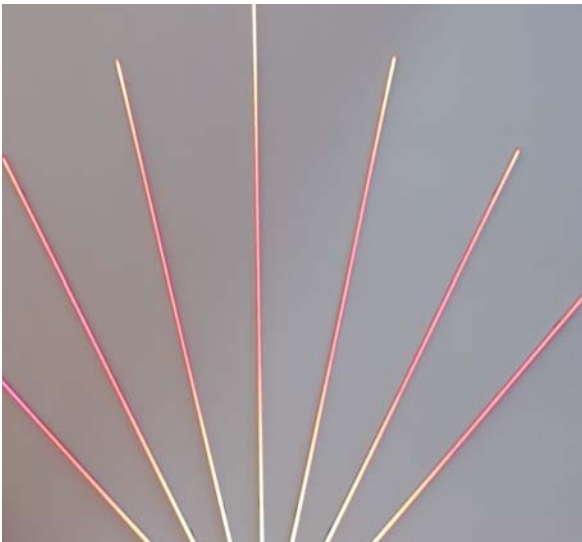
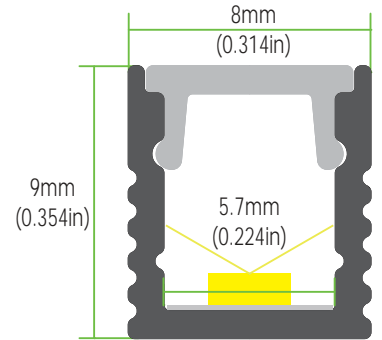
Plastic Endcap



Metal Clip

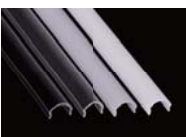
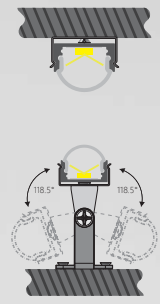


Optional Diffuser  
(PC)





**AST1**  
SURFACE



Optional Diffuser (PMMA)



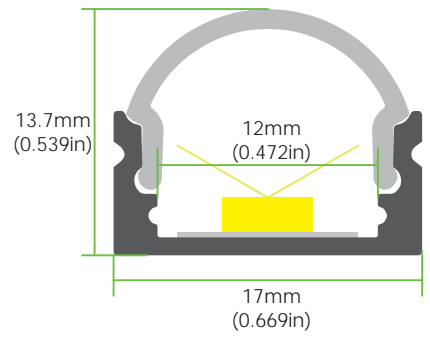
Plastic Endcap



Metal Clip

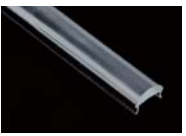
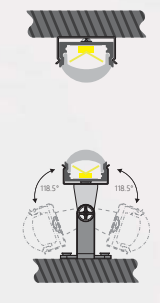


Adjustable Clip



**AL60**  
SURFACE

60 Degree Lens



Clear diffuser (PC)



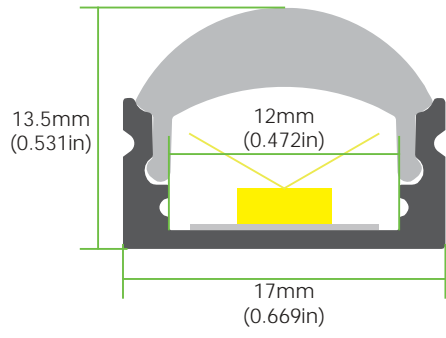
Plastic Endcap

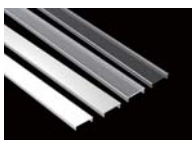
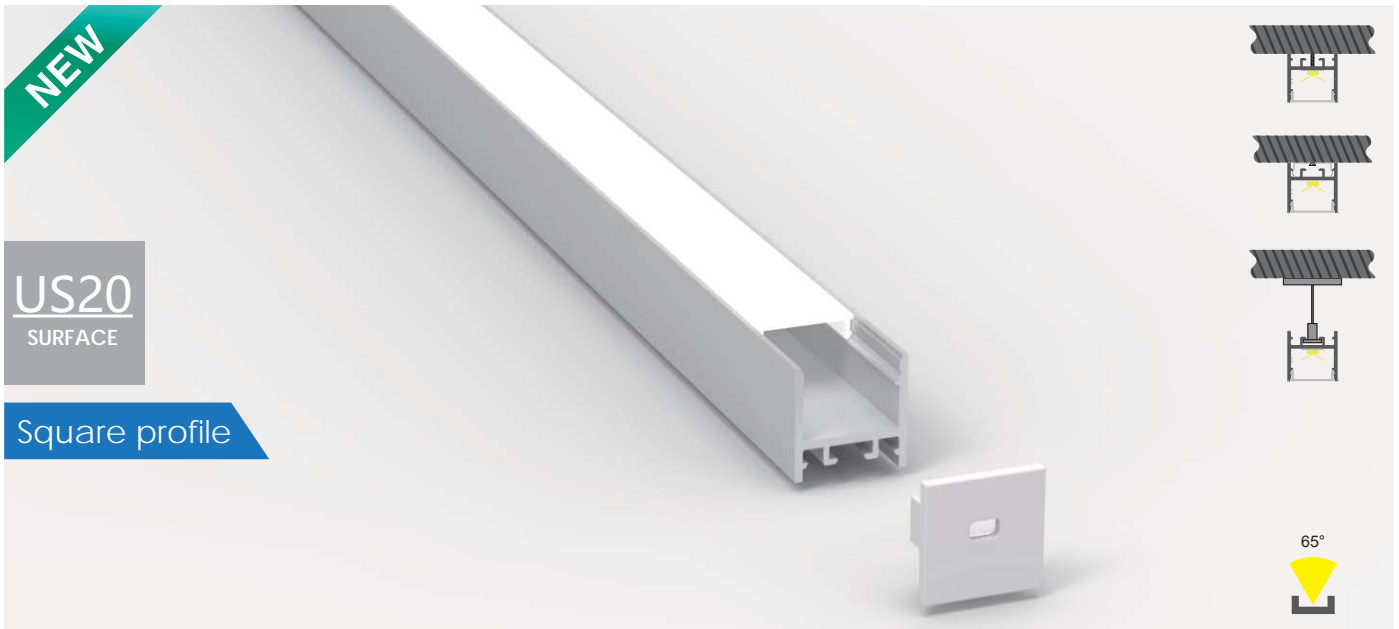


Metal Clip

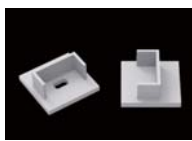


Adjustable Clip





Optional Diffuser (PMMA/PC)



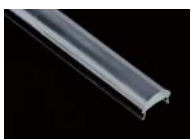
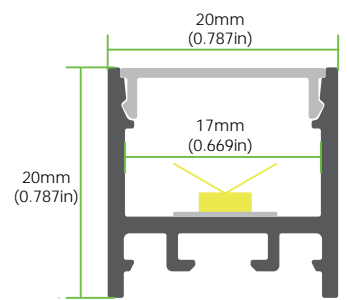
Plastic Endcap



Suspension Kits



Metal Clip



Clear diffuser (PC)



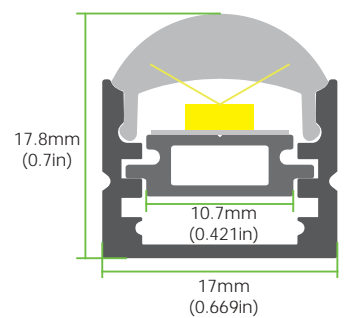
Plastic Endcap

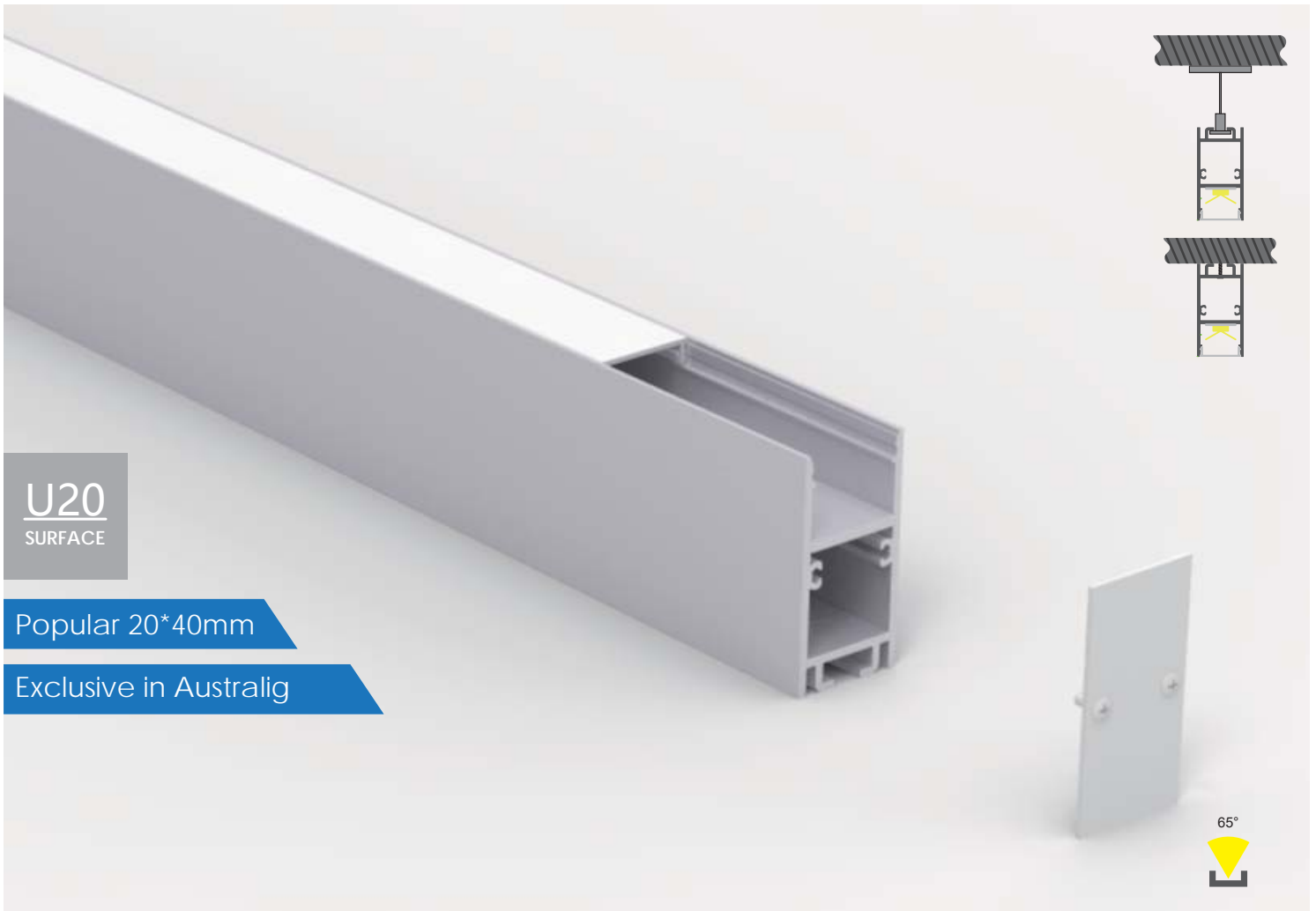


Metal Clip



Adjustable Clip



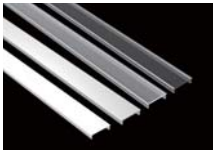


**U20**  
SURFACE

Popular 20\*40mm

Exclusive in Australig

65°



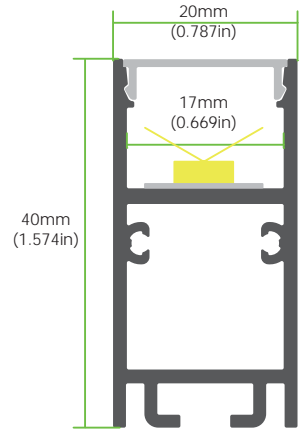
Optional Diffuser (PMMA/PC)



Aluminum Endcap



Suspension Kits



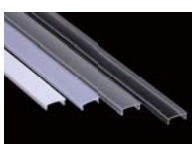
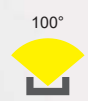
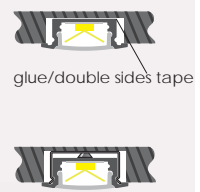






**AR1**  
RECESSED

Cupboard down light design



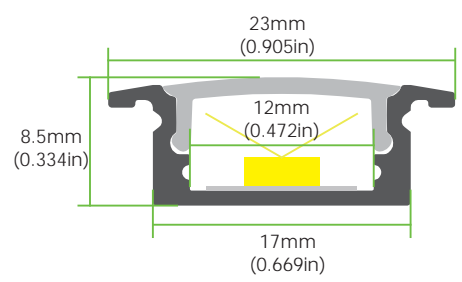
Optional Diffuser (PMMA/PC)



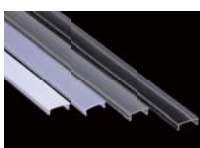
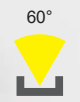
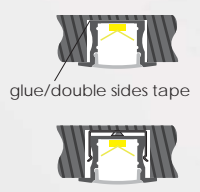
Plastic Endcap



Metal Clip



**AR2**  
RECESSED



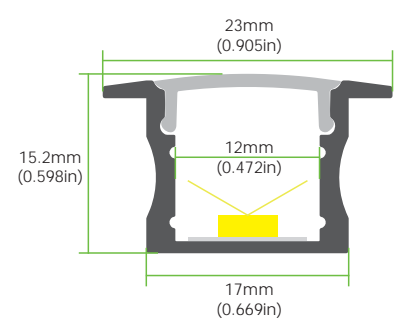
Optional Diffuser (PMMA/PC)

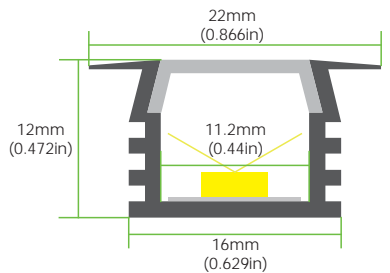
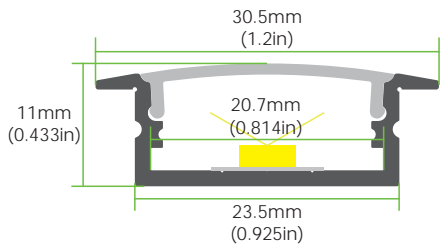
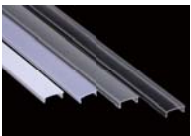


Plastic Endcap

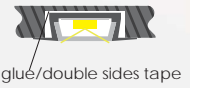


Metal Clip

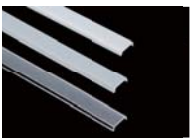
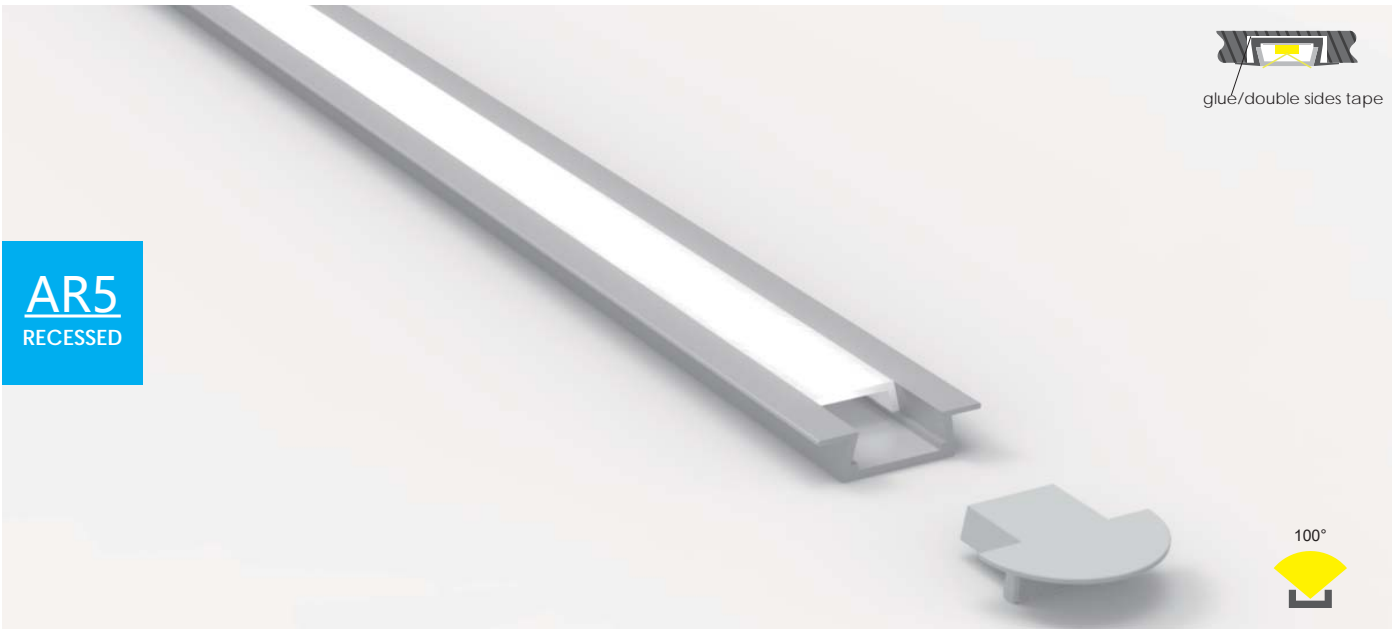








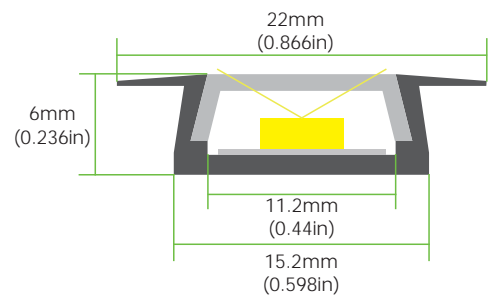
**AR5**  
RECESSED



Optional Diffuser (PC)

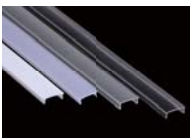


Plastic Endcap



**AR6**  
RECESSED

Wide flange for hiding groove



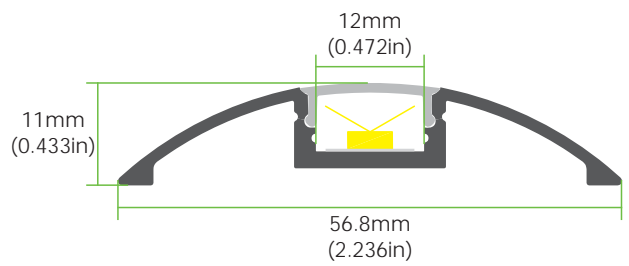
Optional Diffuser (PMMA/PC)

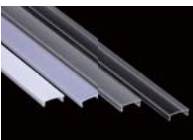
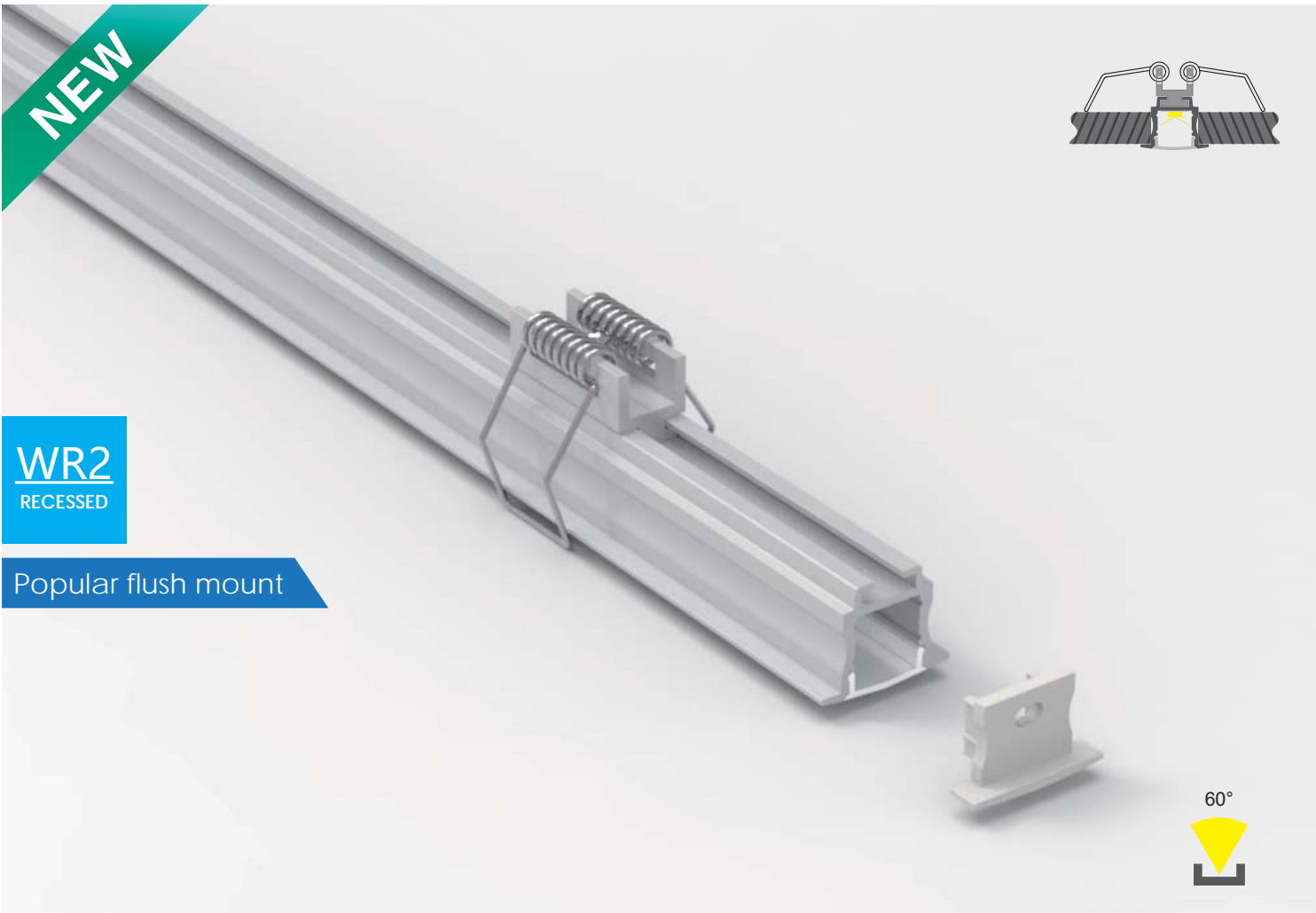


Plastic Endcap



Metal Clip





Optional Diffuser (PMMA/PC)



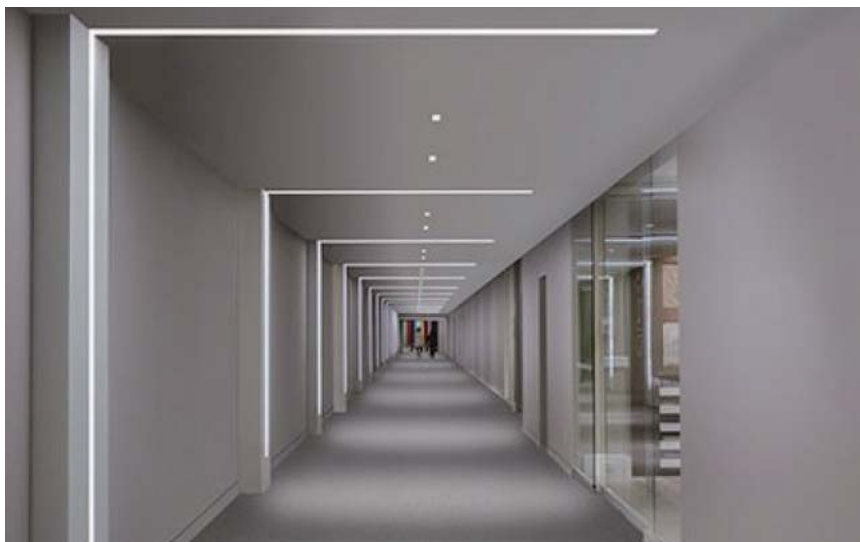
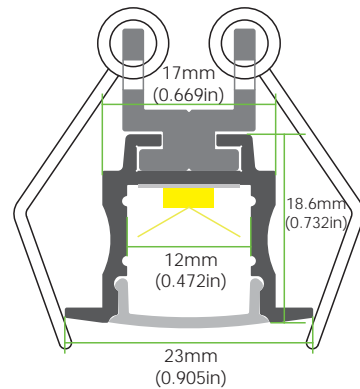
Plastic Endcap

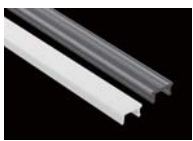
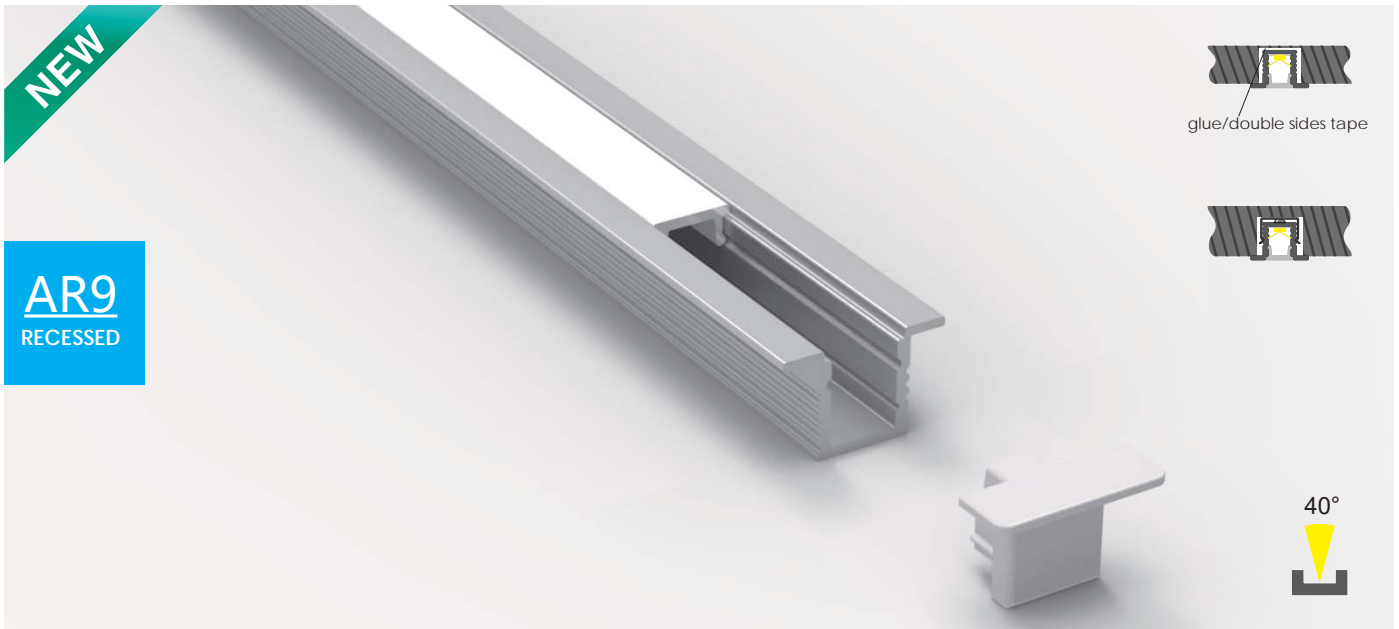


Spring Clip



Joiners

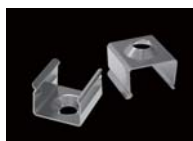




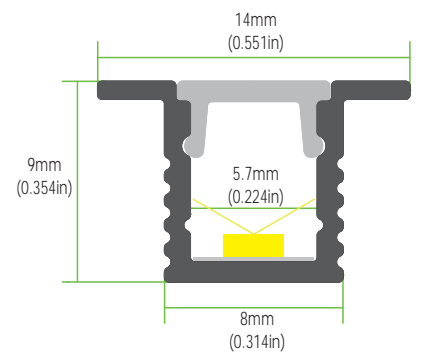
Optional Diffuser (PC)



Plastic Endcap



Metal Clip

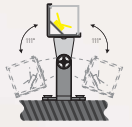








**AC1**  
CORNER



Optional Diffuser (PMMA)



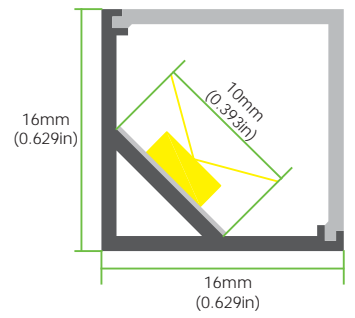
Plastic Endcap



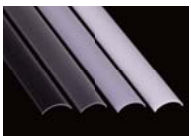
Adjustable Clip



Metal Clip



**AC2**  
CORNER



Optional Diffuser (PMMA)



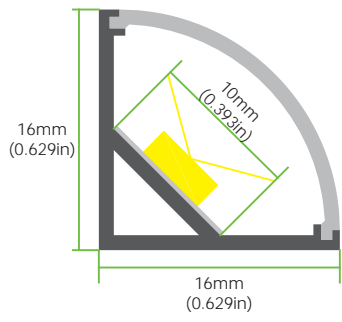
Plastic Endcap



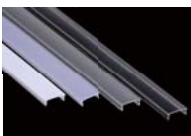
Adjustable Clip



Metal Clip



**AC3**  
CORNER



Optional Diffuser (PMMA/PC)



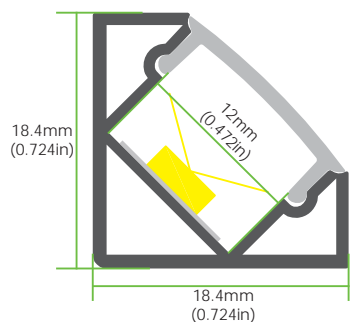
Plastic Endcap



Adjustable Clip

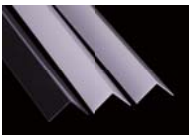
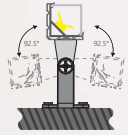
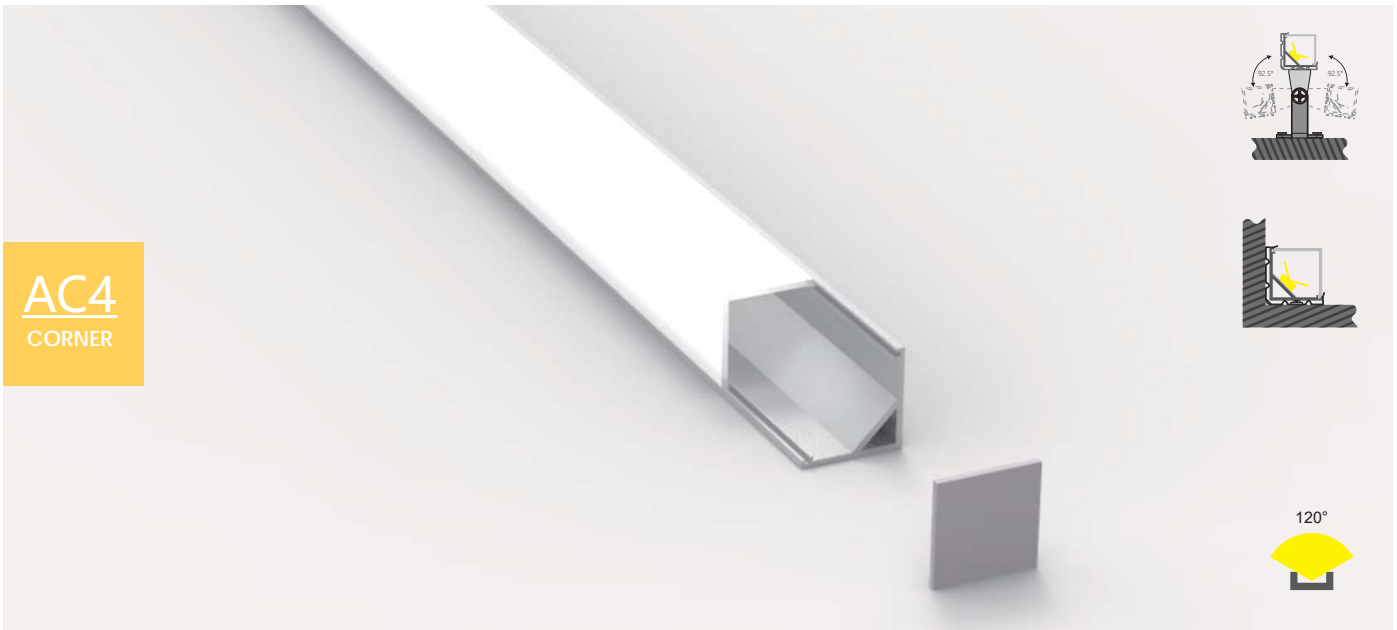


Metal Clip

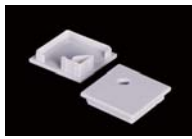




**AC4**  
CORNER



Optional Diffuser (PC)



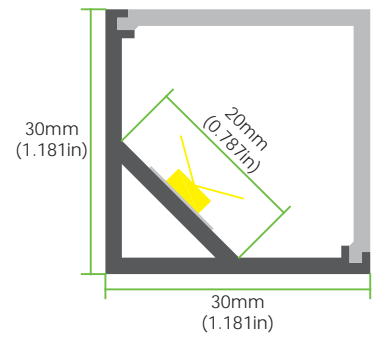
Plastic Endcap



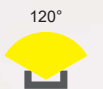
Adjustable Clip



Metal Clip



**AC5**  
CORNER



Optional Diffuser (PC)



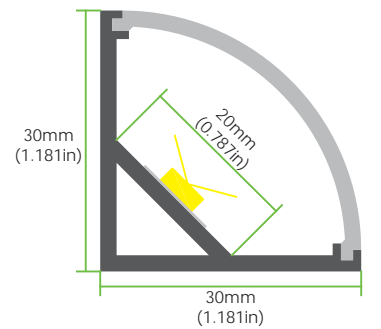
Plastic Endcap

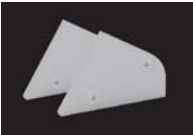


Adjustable Clip

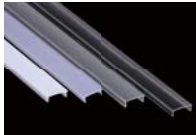


Metal Clip

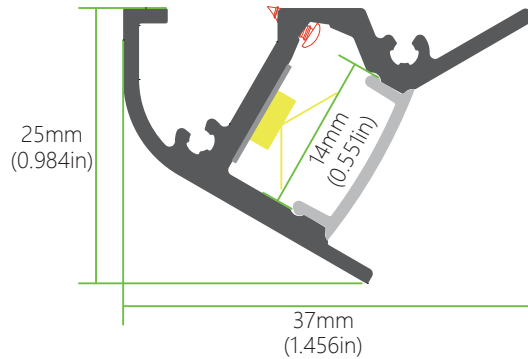




Plastic Endcap



Optional Diffuser (PMMA/PC)





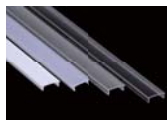
**AV2**  
CORNER



Plastic Endcap



Metal Clip



Optional Diffuser  
(PMMA/PC)



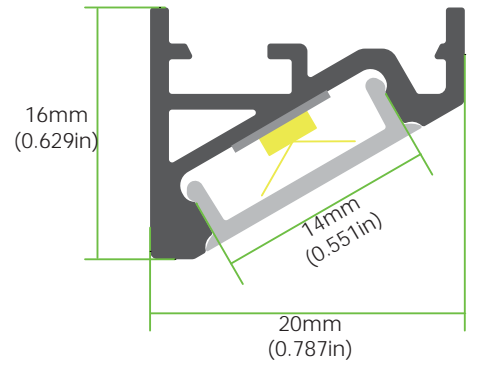
Joiners 90°B



Joiners 180°A



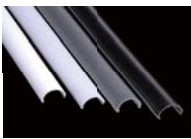
Joiners 90°A







**AT4**  
CEILING



Optional Diffuser (PMMA)



Plastic Endcap



Adjustable Clip



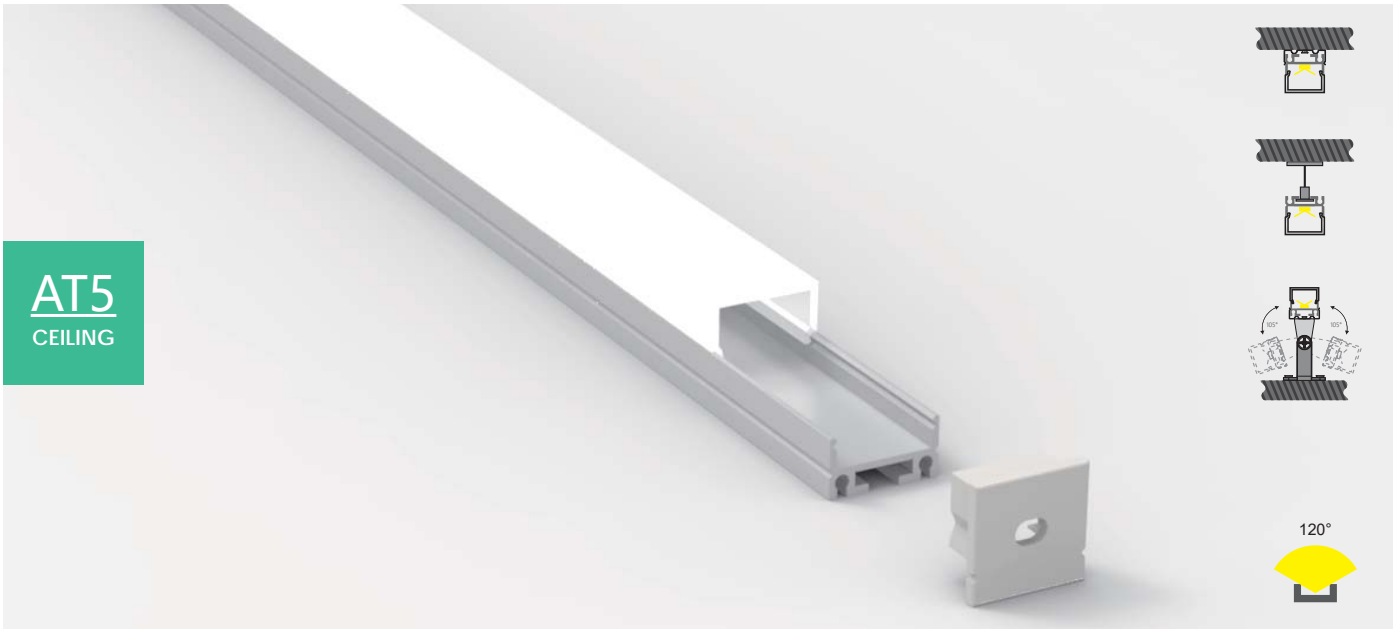
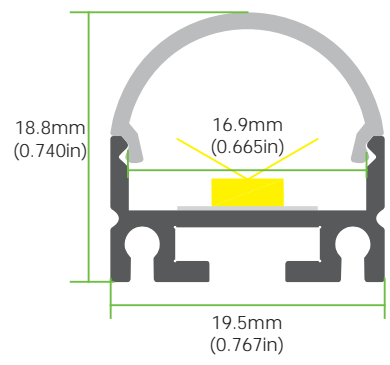
Metal Clip



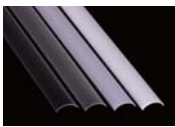
Suspension Kits



Joiners



**AT5**  
CEILING



Optional Diffuser (PMMA)



Plastic Endcap



Adjustable Clip



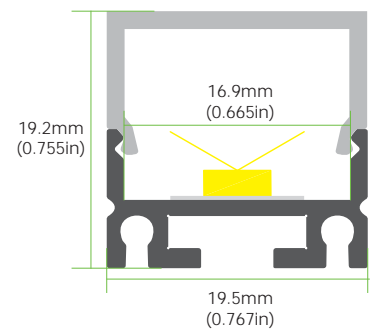
Metal Clip



Suspension Kits



Joiners



**AT6**  
CEILING

30 Degree Lens



Clear Diffuser (PMMA)



Plastic Endcap



Adjustable Clip



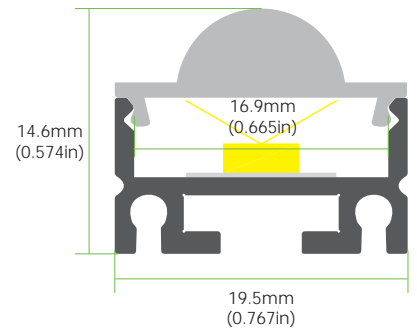
Metal Clip



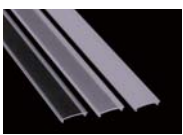
Suspension Kits



Joiners



**AT11**  
CEILING



Optional Diffuser (PMMA)



Aluminum Endcap



Adjustable Clip



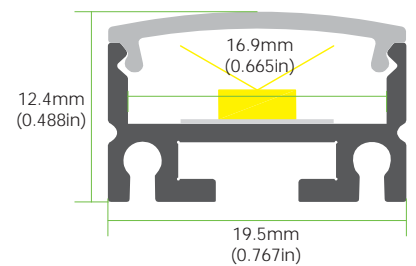
Metal Clip



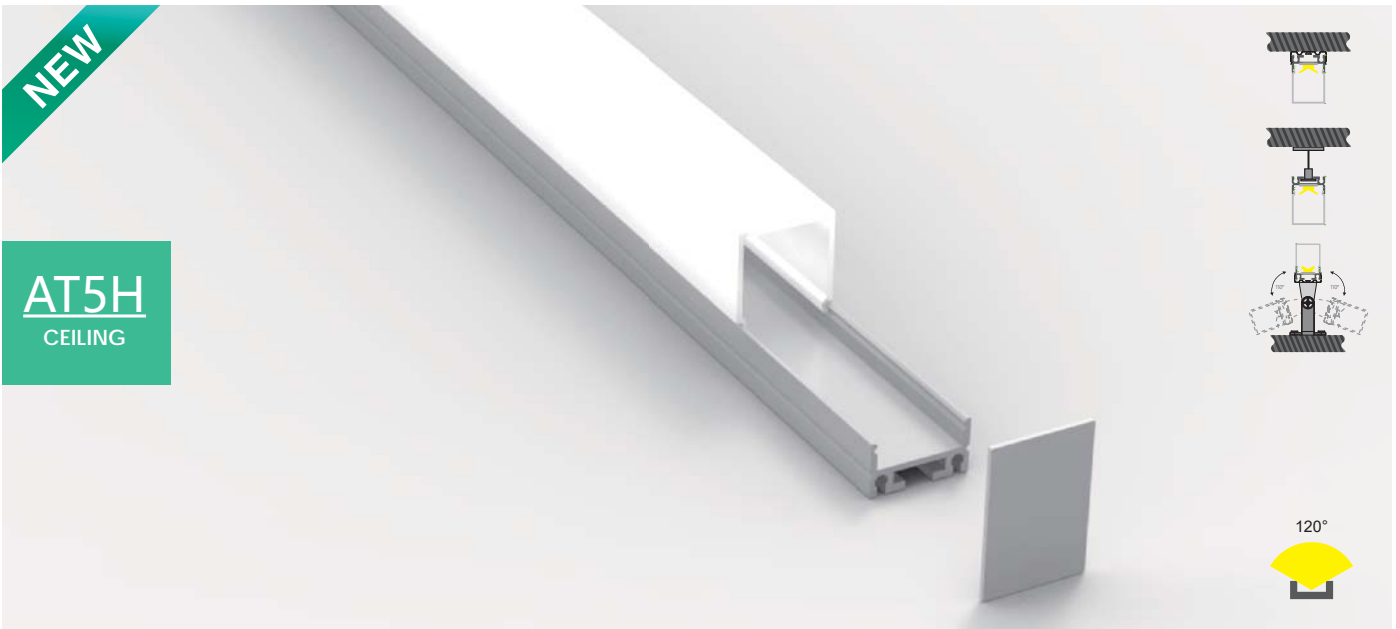
Suspension Kits



Joiners







Opal Diffuser (PC)



Aluminum Endcap



Adjustable Clip



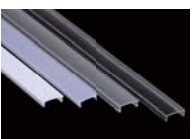
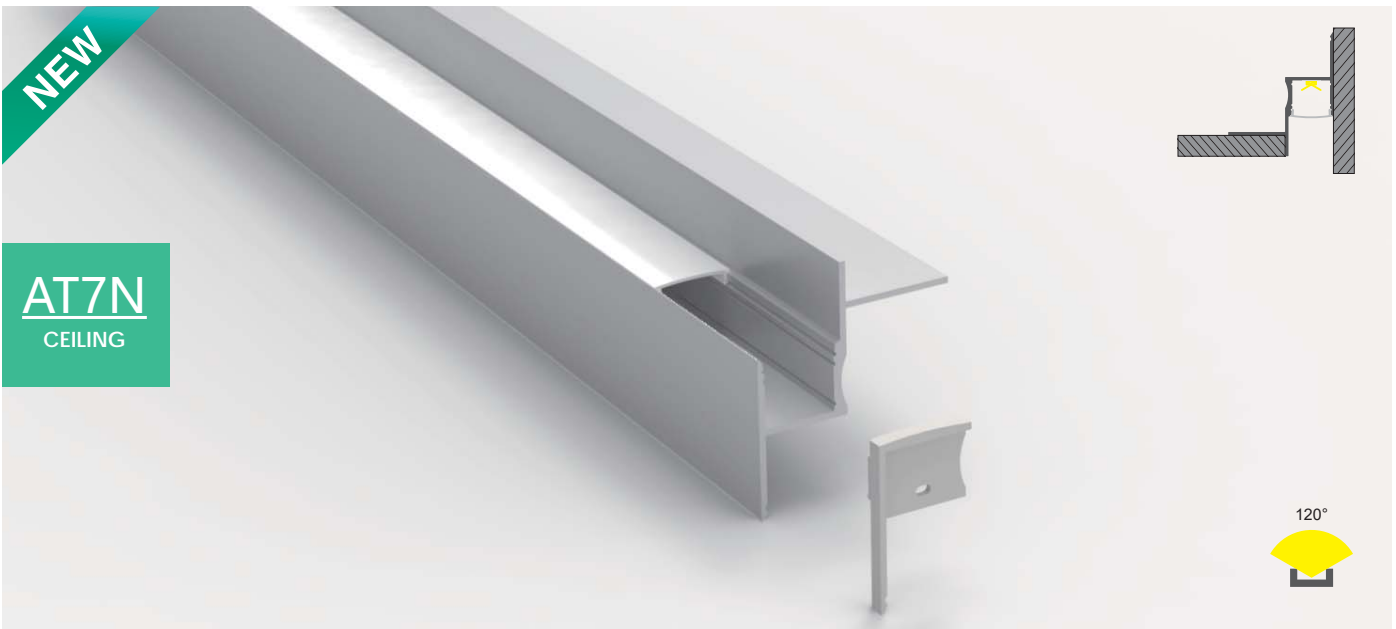
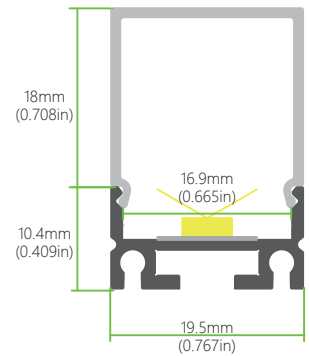
Metal Clip



Suspension Kits



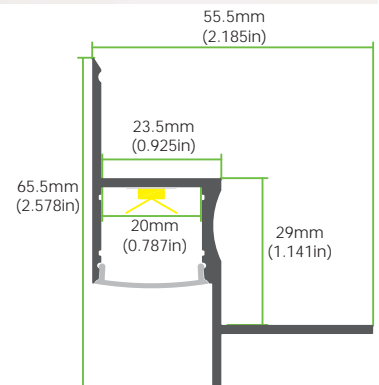
Joiners

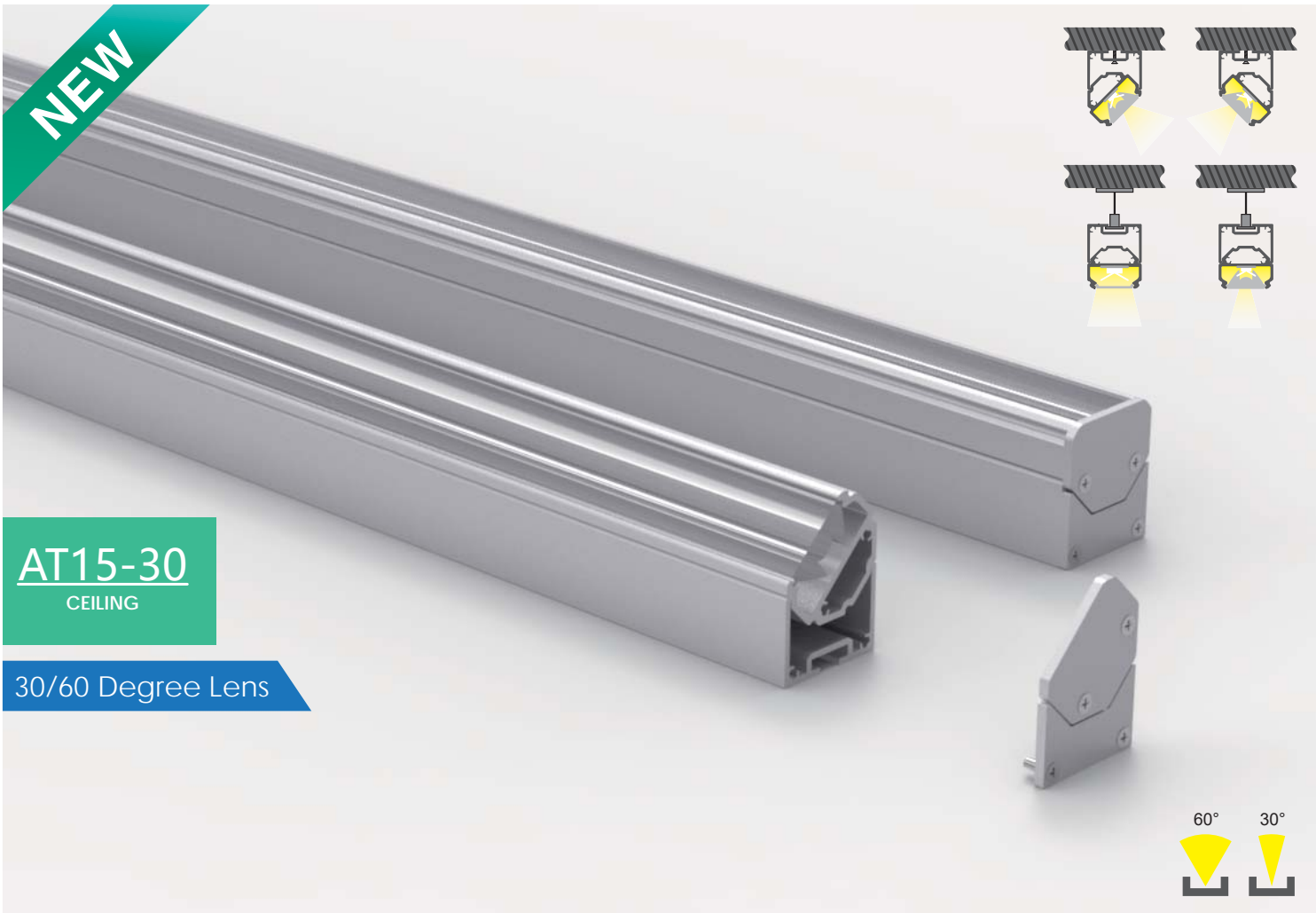


Optional Diffuser (PMMA/PC)



Plastic Endcap





Aluminum Endcap



Suspension Kits



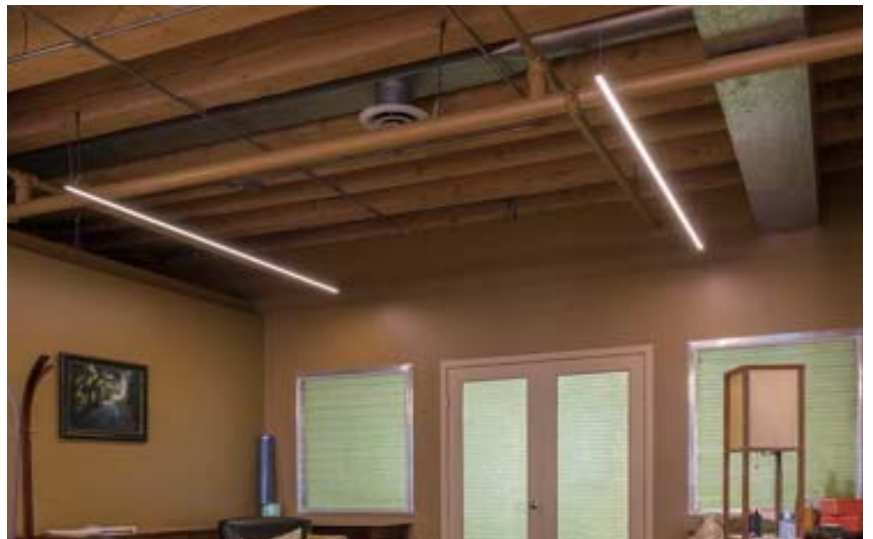
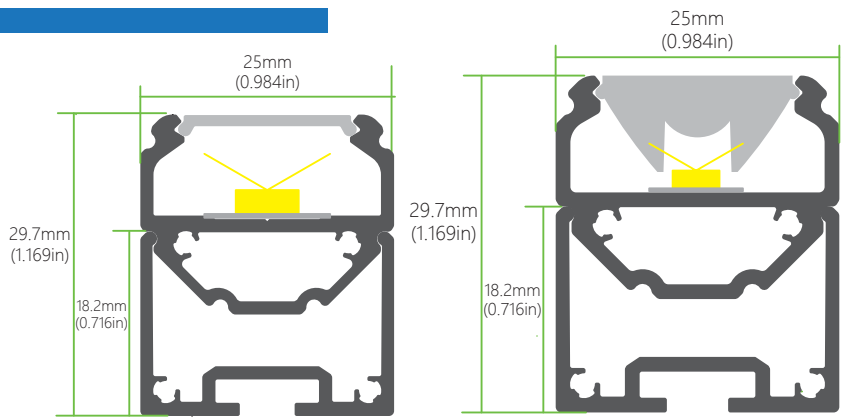
Joiners



Clear Diffuser (PMMA)



Clear Diffuser (PMMA)





Aluminum Endcap



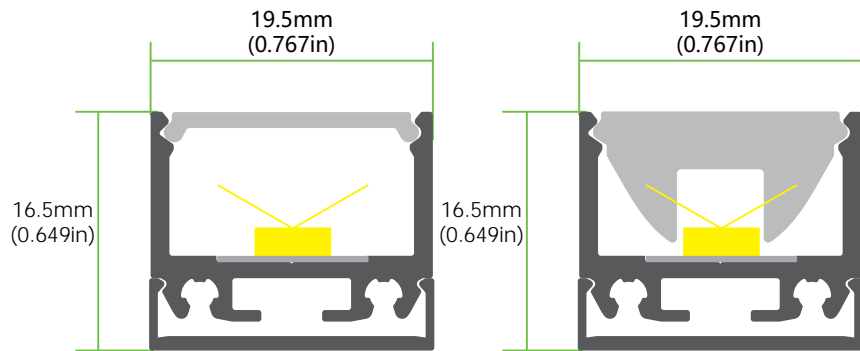
Joiners



Clear Diffuser (PMMA)



Clear Diffuser (PMMA)







Aluminum Endcap



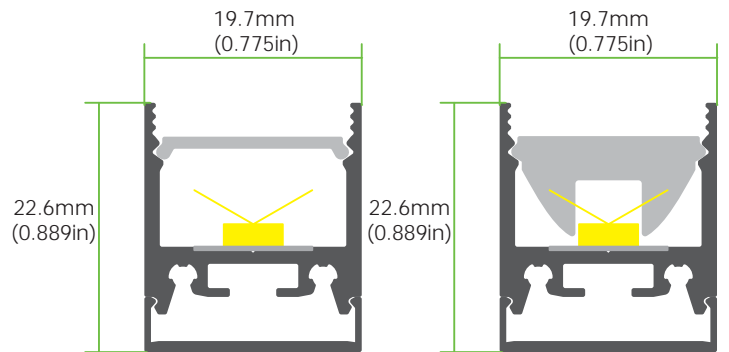
Joiners



Clear Diffuser (PMMA)



Clear Diffuser (PMMA)





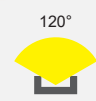
INGROUND





**AA**  
Inground

IP65 Walk over



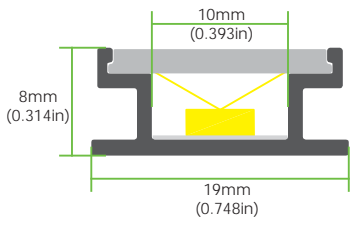
Frosted diffuser (PC)



Plastic Endcap



Metal Clip



**AB**  
Inground

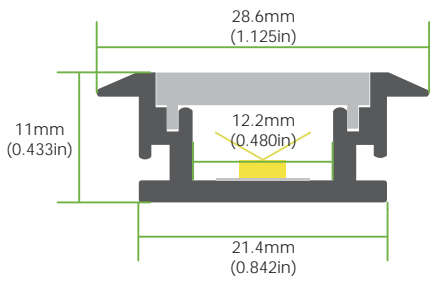
IP65 Walk over



Frosted diffuser (PC)



Plastic Endcap







# AF2

Inground

IK10.IP68 walk over



Aluminum Endcap



Suspension Kits



Joiners



Opal Diffuser (PC)



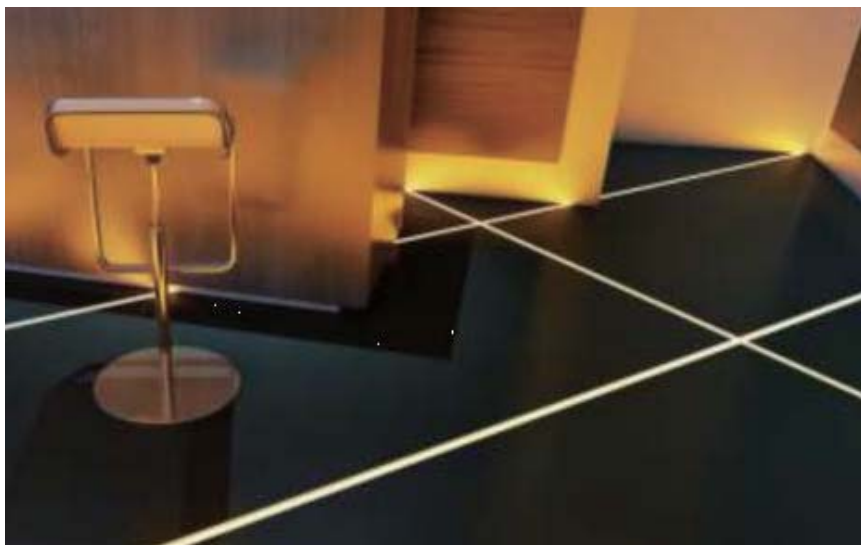
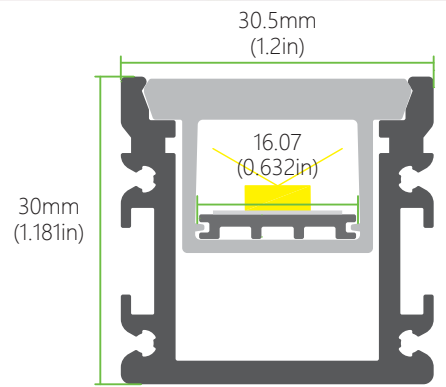
Aluminum Tray



Soft Endcap



Waterproof Cable Grommet





**AF3**  
Inground

IP68 drive over

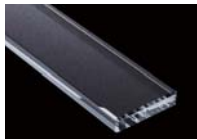
80°



Aluminum Endcap



Soft Endcap



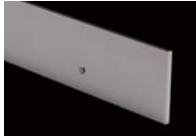
Glass Diffuser



Opal Diffuser (PC)



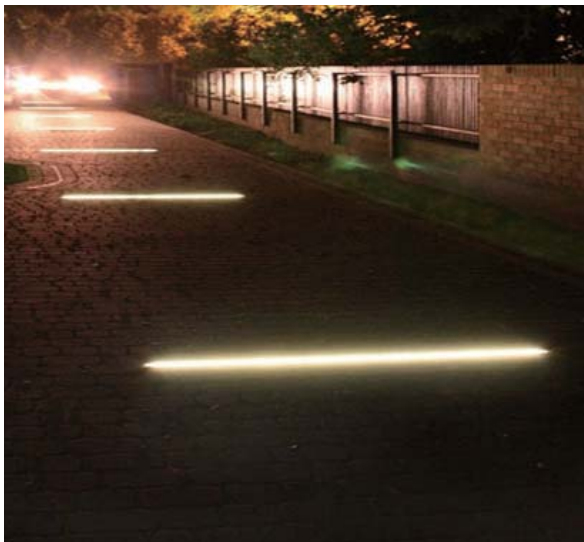
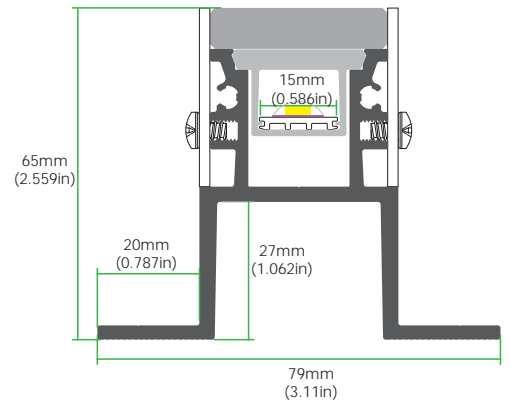
Aluminum Tray



Stainless steel side bar



Waterproof Cable Grommet





**AF1**  
Inground

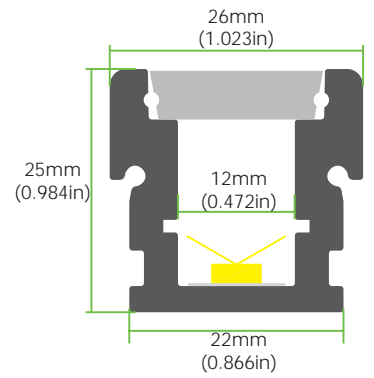
IK10.IP67 walk over



Frosted Diffuser (PC)



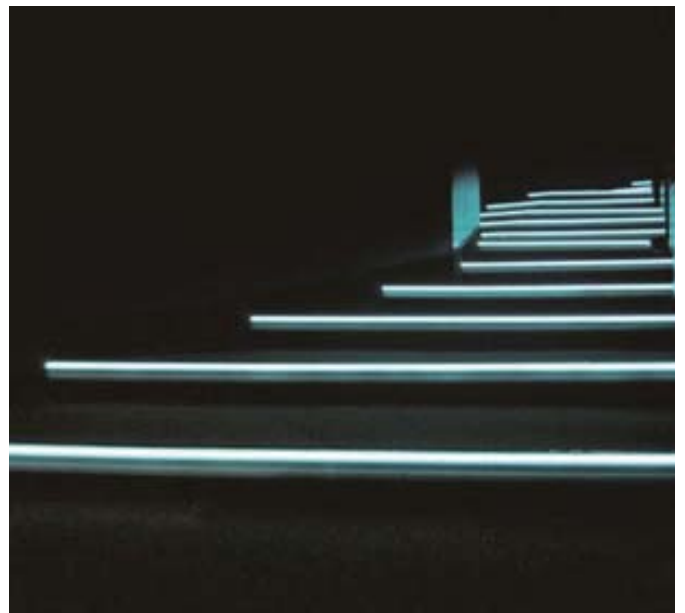
Plastic Endcap







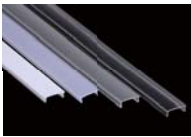
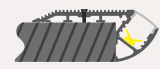
FLOOR AND  
STAIR





**ST1**  
FLOOR AND  
STAIR

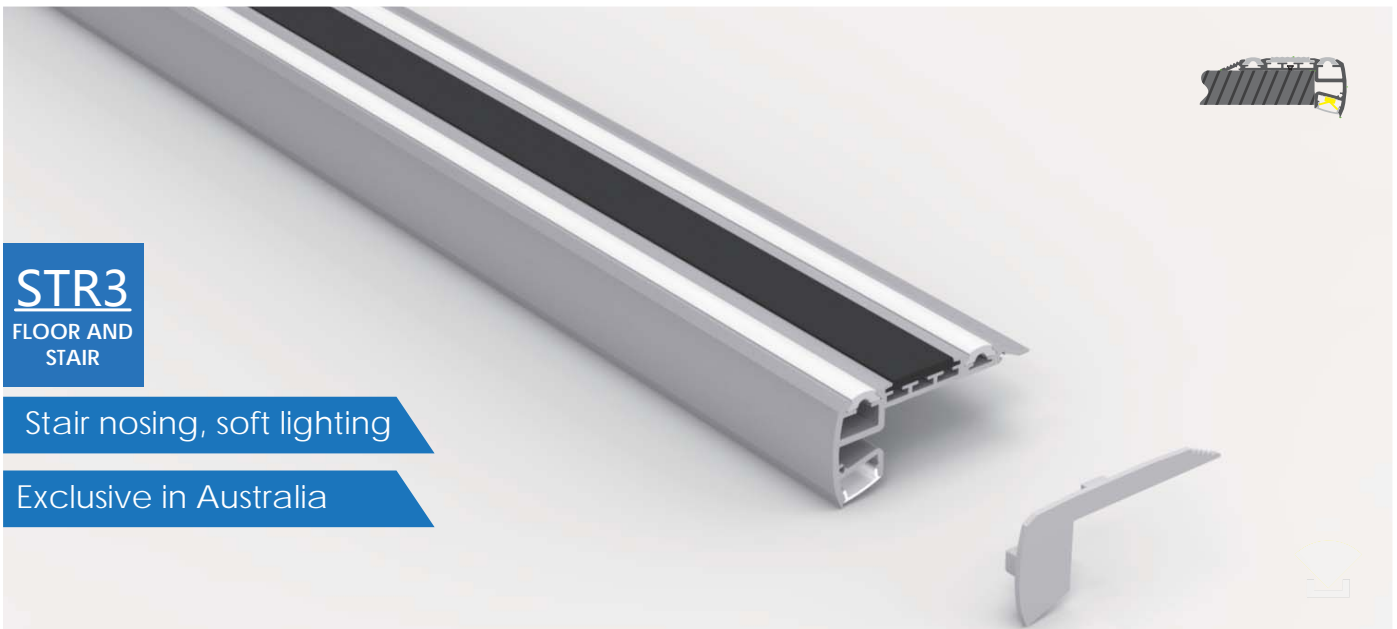
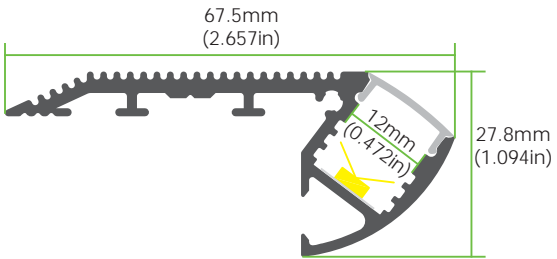
Step profile



Optional Diffuser  
(PMMA/PC)



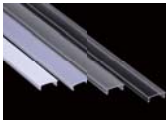
Plastic Endcap



**STR3**  
FLOOR AND  
STAIR

Stair nosing, soft lighting

Exclusive in Australia



Optional Diffuser  
(PMMA/PC)



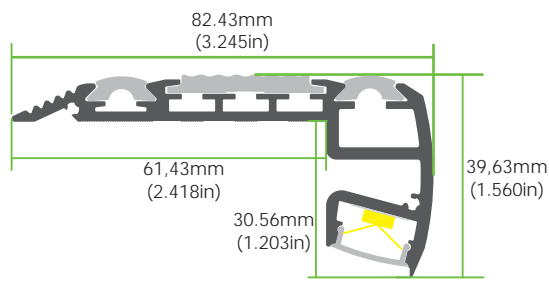
Plastic Endcap



White Anti-slip  
Rubber



25mm wide Black  
Anti-slip Rubber

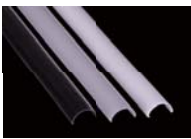




ROUND







Optional Diffuser (PC)



Aluminum Endcap

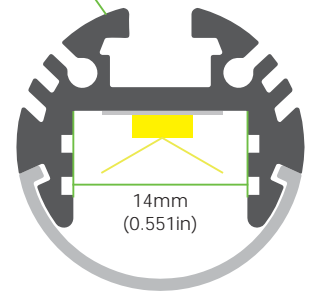


Adjustable Clip



Suspension Kits

Ø24mm  
(0.944in)



Optional Diffuser (PC)

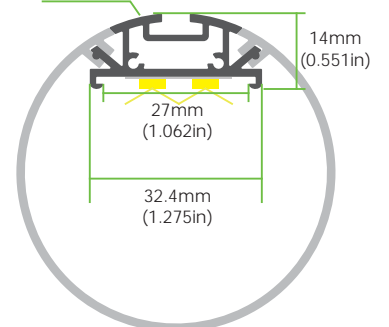


Plastic Endcap



Suspension Kits

Ø60mm  
(2.362in)



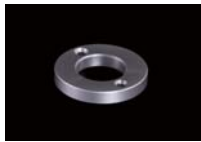


**R34**  
ROUND

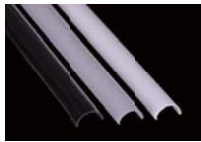
Exclusive in Australia



Aluminum Endcap



WALL BRACKET

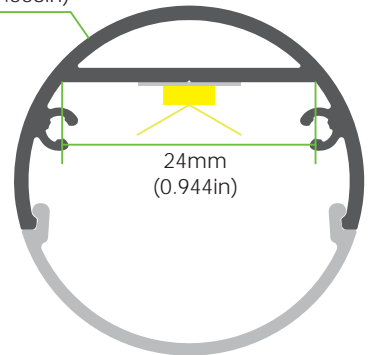


Optional Diffuser  
(PC)



Aluminum Bracket

Ø34mm  
(1.338in)

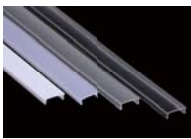








**AW1**  
WALL



Optional Diffuser  
(PMMA/PC)



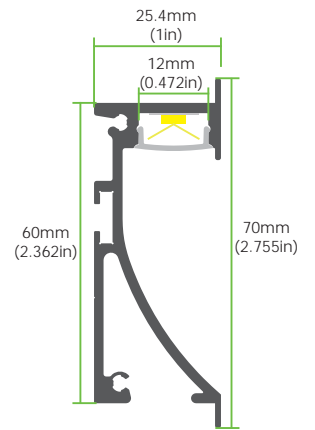
Aluminum Endcap



Spring Clip

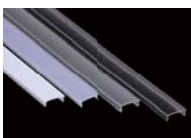


Metal Clip



**AW2**  
WALL

Up and down light washer



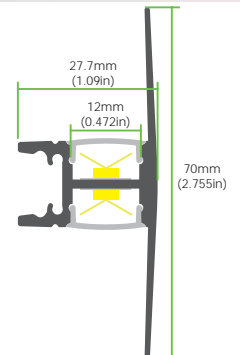
Optional Diffuser  
(PMMA/PC)

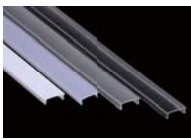
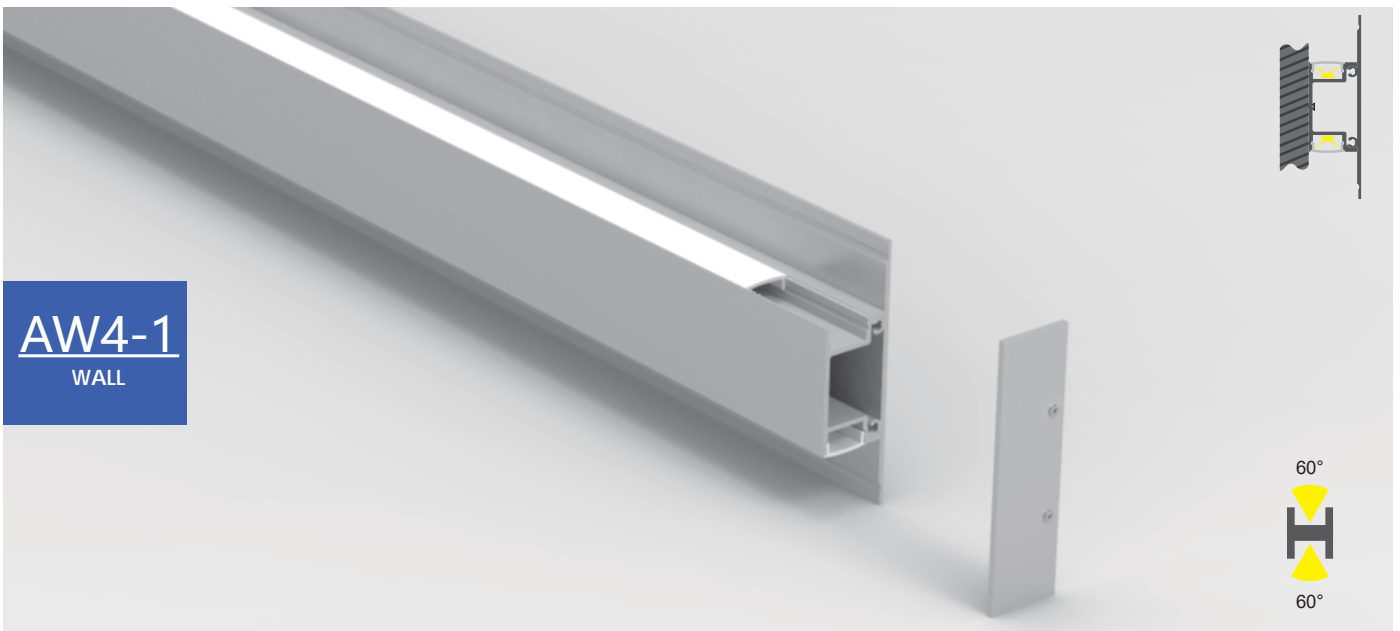


Aluminum Endcap



Metal Clip

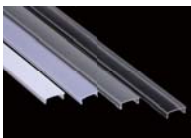
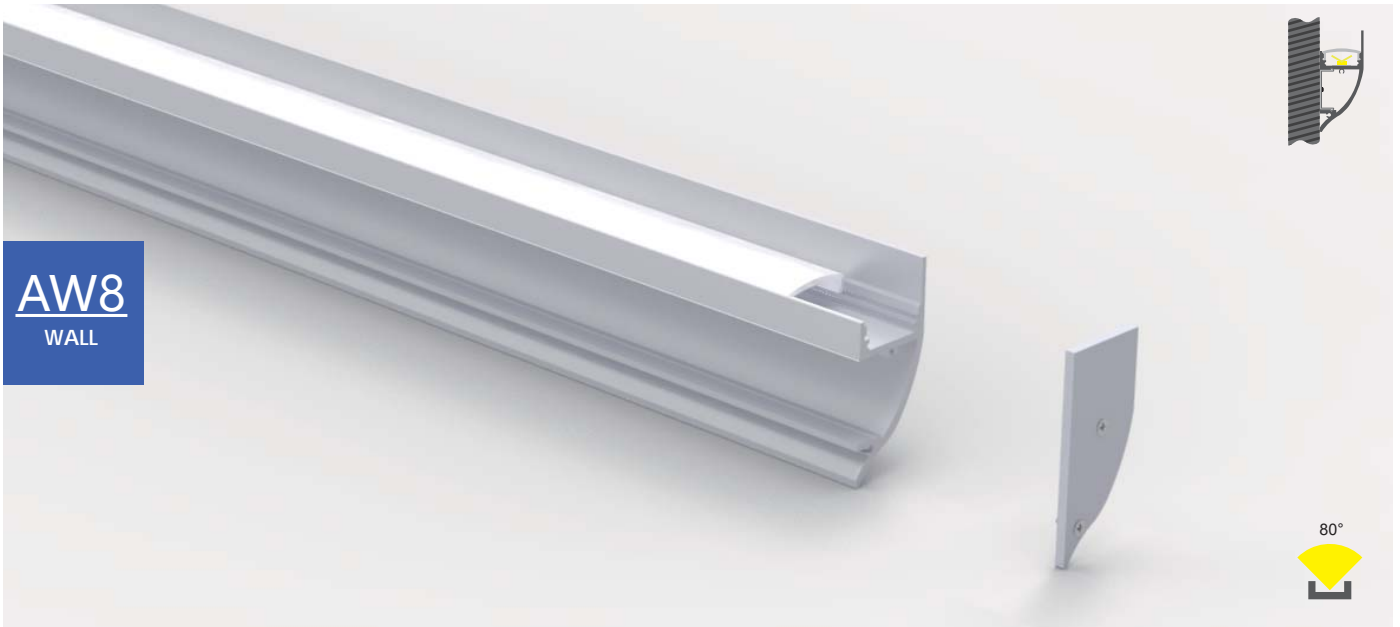
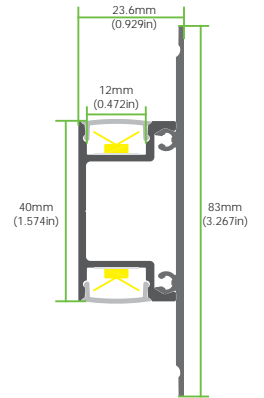




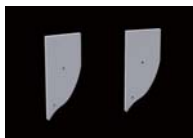
Optional Diffuser (PMMA/PC)



Aluminum Endcap



Optional Diffuser (PMMA/PC)



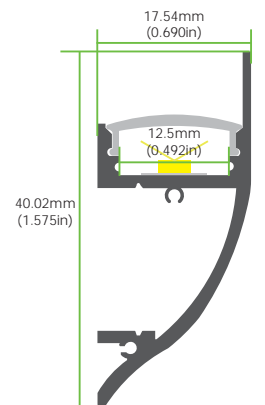
Aluminum Endcap

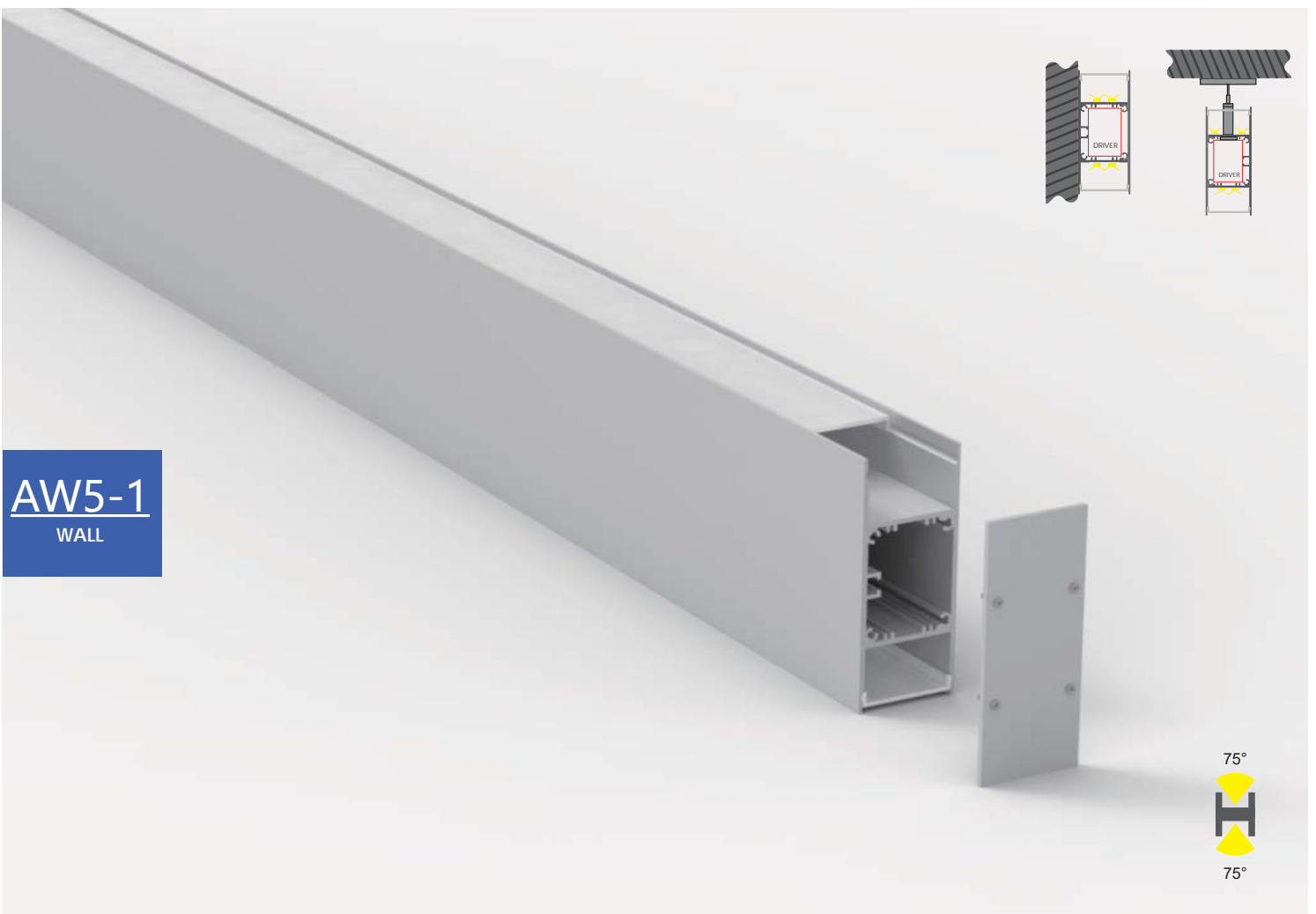


Plastic Clip

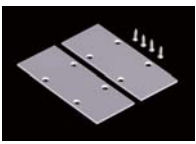


Metal Clip





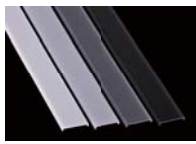
**AW5-1**  
WALL



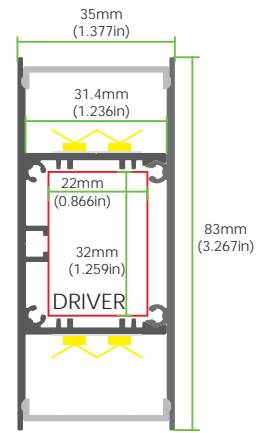
Aluminum Endcap



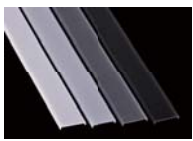
Suspension Kits



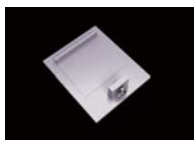
Optional Diffuser (PMMA)







Optional Diffuser (PMMA)



Aluminum Screwless Endcap



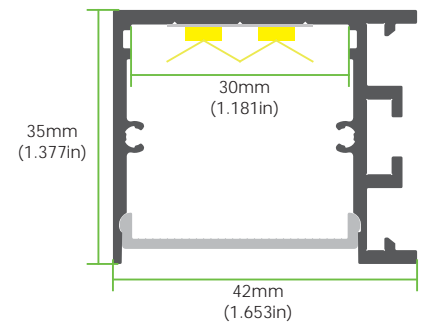
Spring Clip



Aluminum diffuser



Joiners







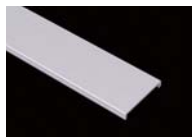
**WN31**  
POPULAR



Optional Diffuser (PMMA)



Aluminum Endcap



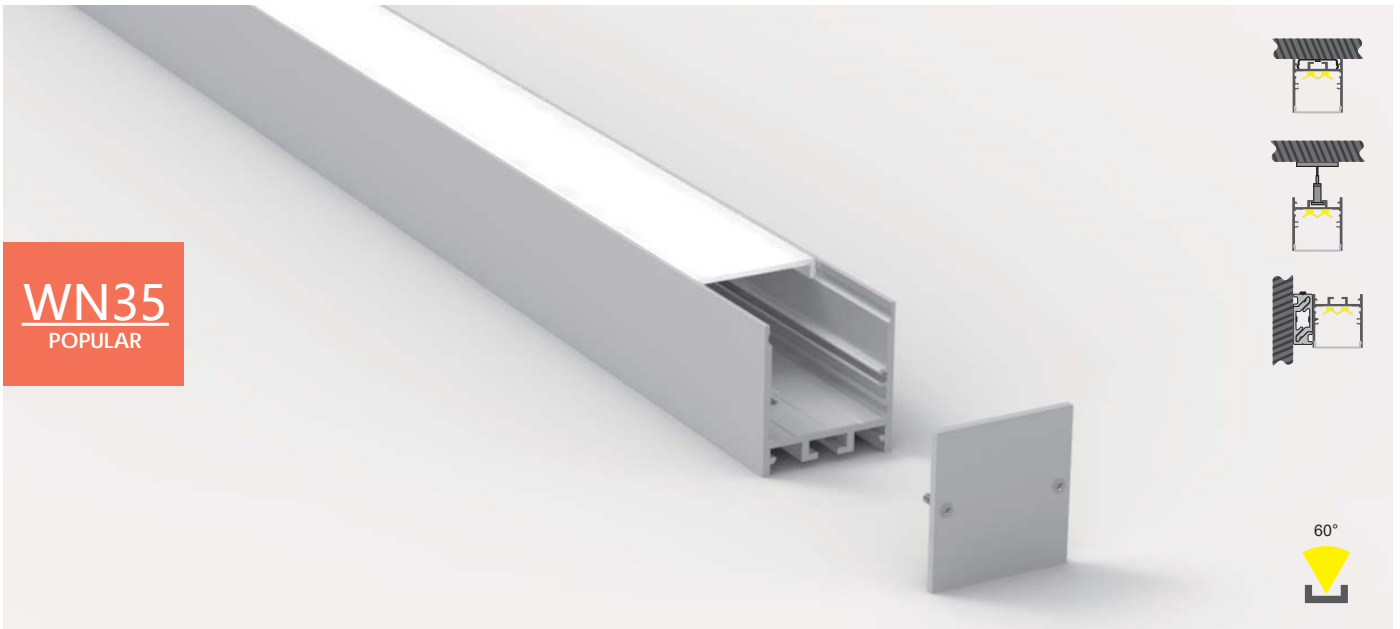
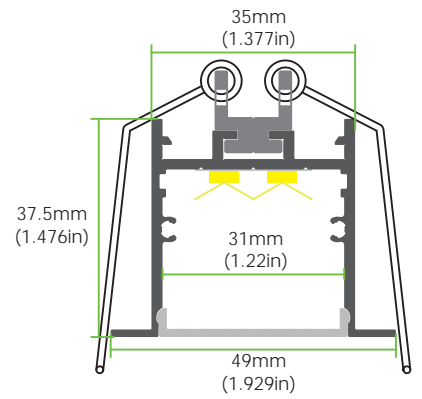
Aluminum diffuser



Spring Clip



Joiners



**WN35**  
POPULAR



Optional Diffuser (PMMA)



Aluminum Screwless Endcap



Metal Clip



Aluminum Endcap



Aluminum diffuser



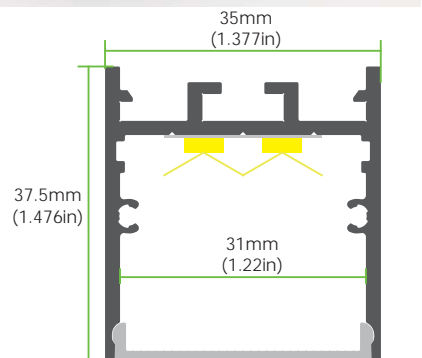
Joiners



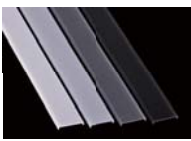
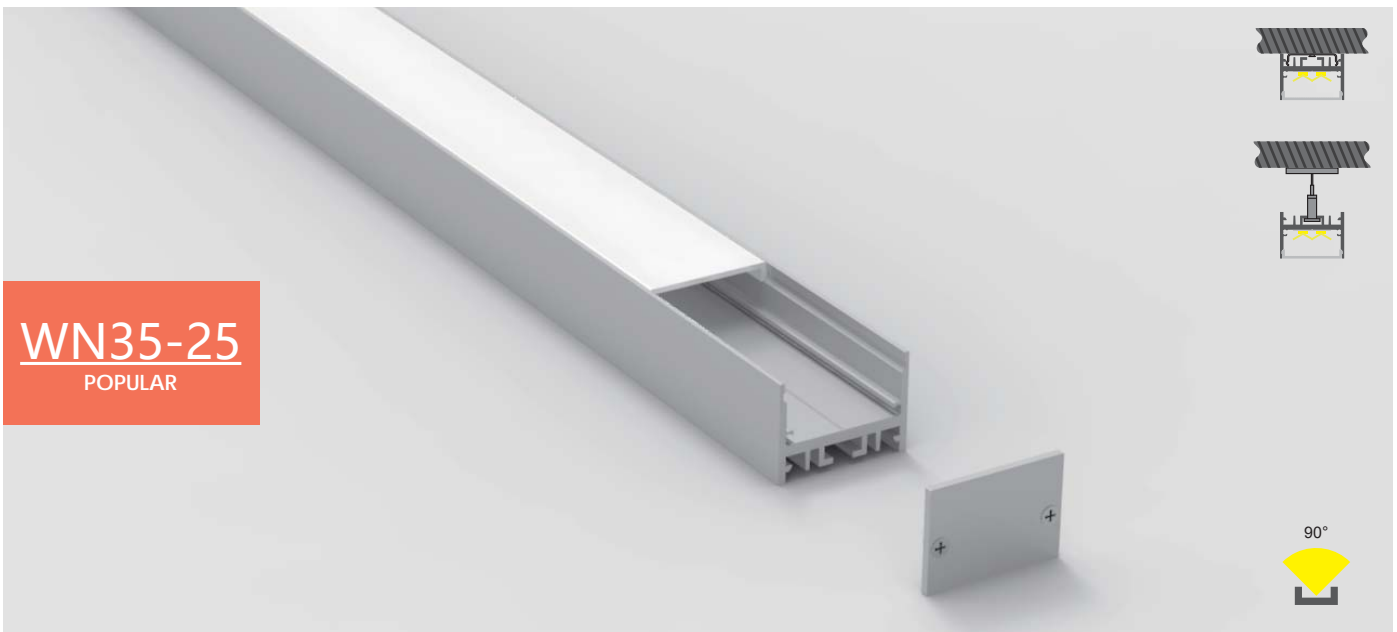
Wall Clips



Suspension Kits







Optional Diffuser (PMMA)



Aluminum Endcap



Aluminum diffuser



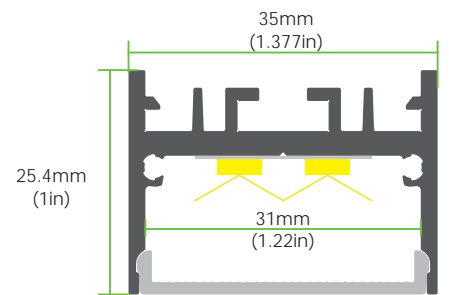
Suspension Kits



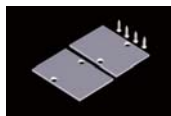
Metal Clip



Joiners



Opal Diffuser (PMMA)



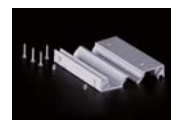
Aluminum Endcap



Metal Clip



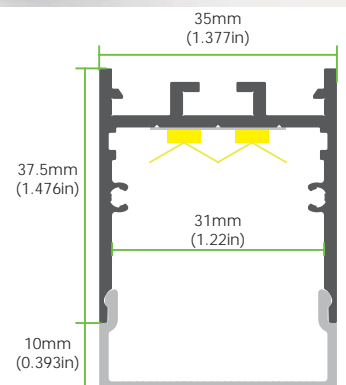
Joiners

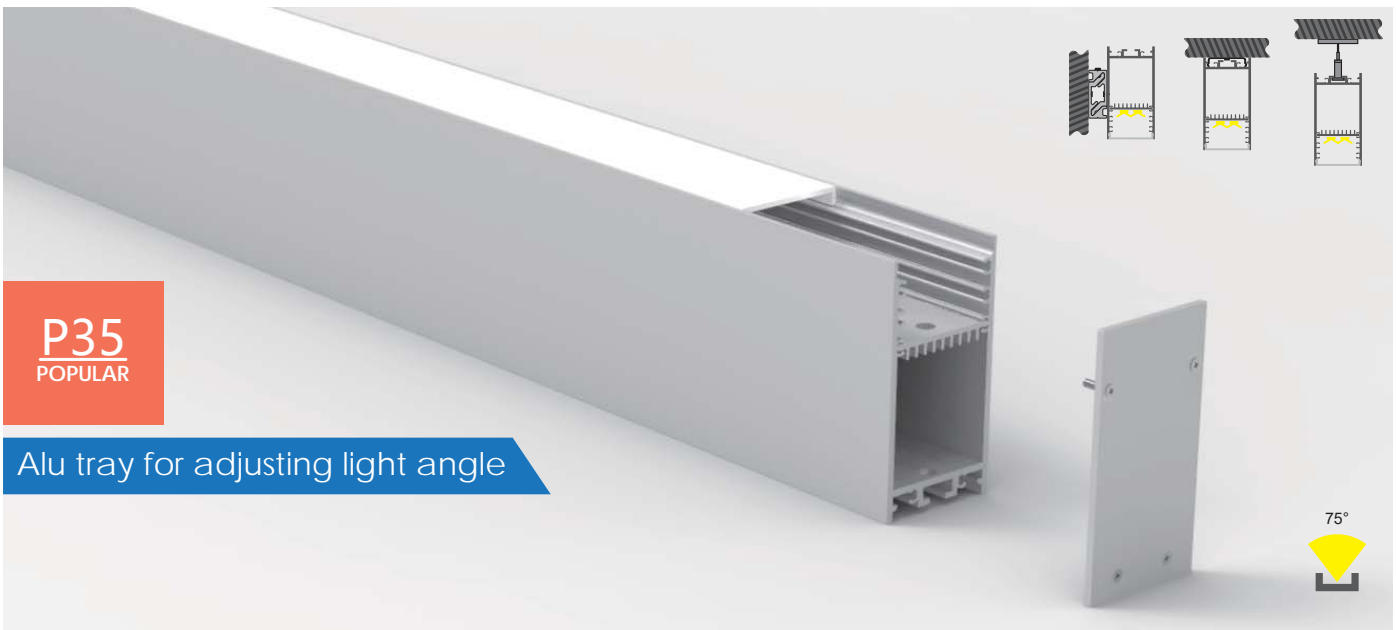


Wall Clips



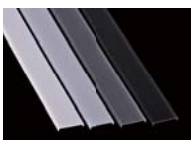
Suspension Kits





**P35**  
POPULAR

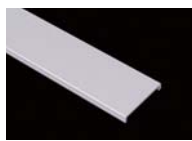
Alu tray for adjusting light angle



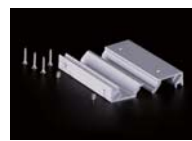
Optional Diffuser (PMMA)



Aluminum Endcap



Aluminum diffuser



Wall Clips



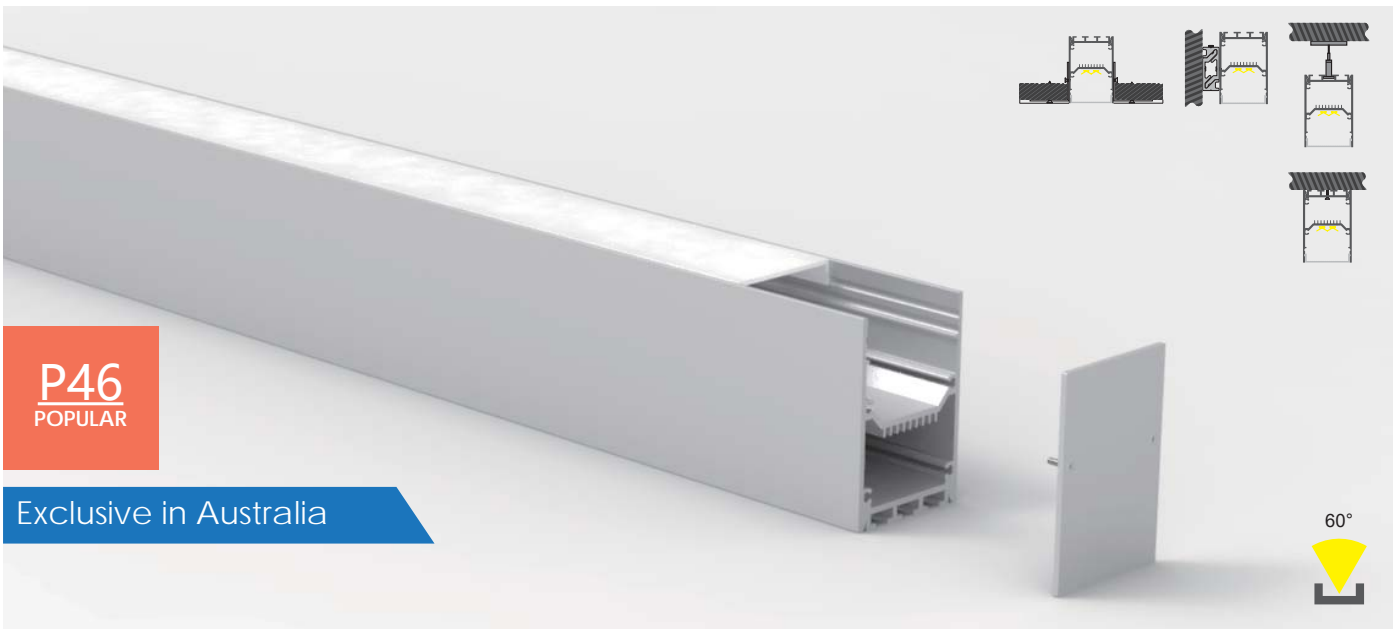
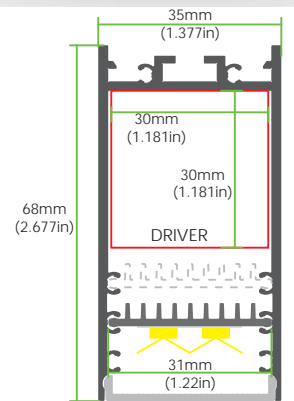
Suspension Kits



Metal Clip



Joiners



**P46**  
POPULAR

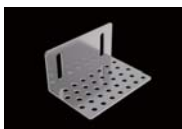
Exclusive in Australia



Milky Diffuser (PMMA)



Aluminum Endcap



Stainless Steel L bracket



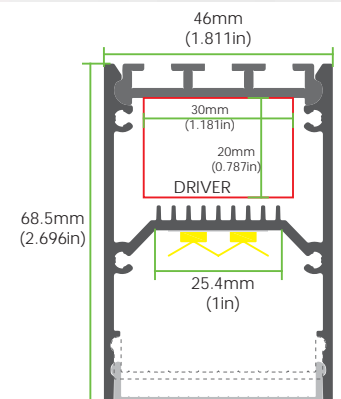
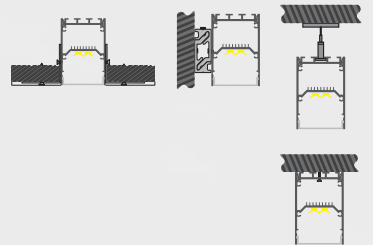
Joiners

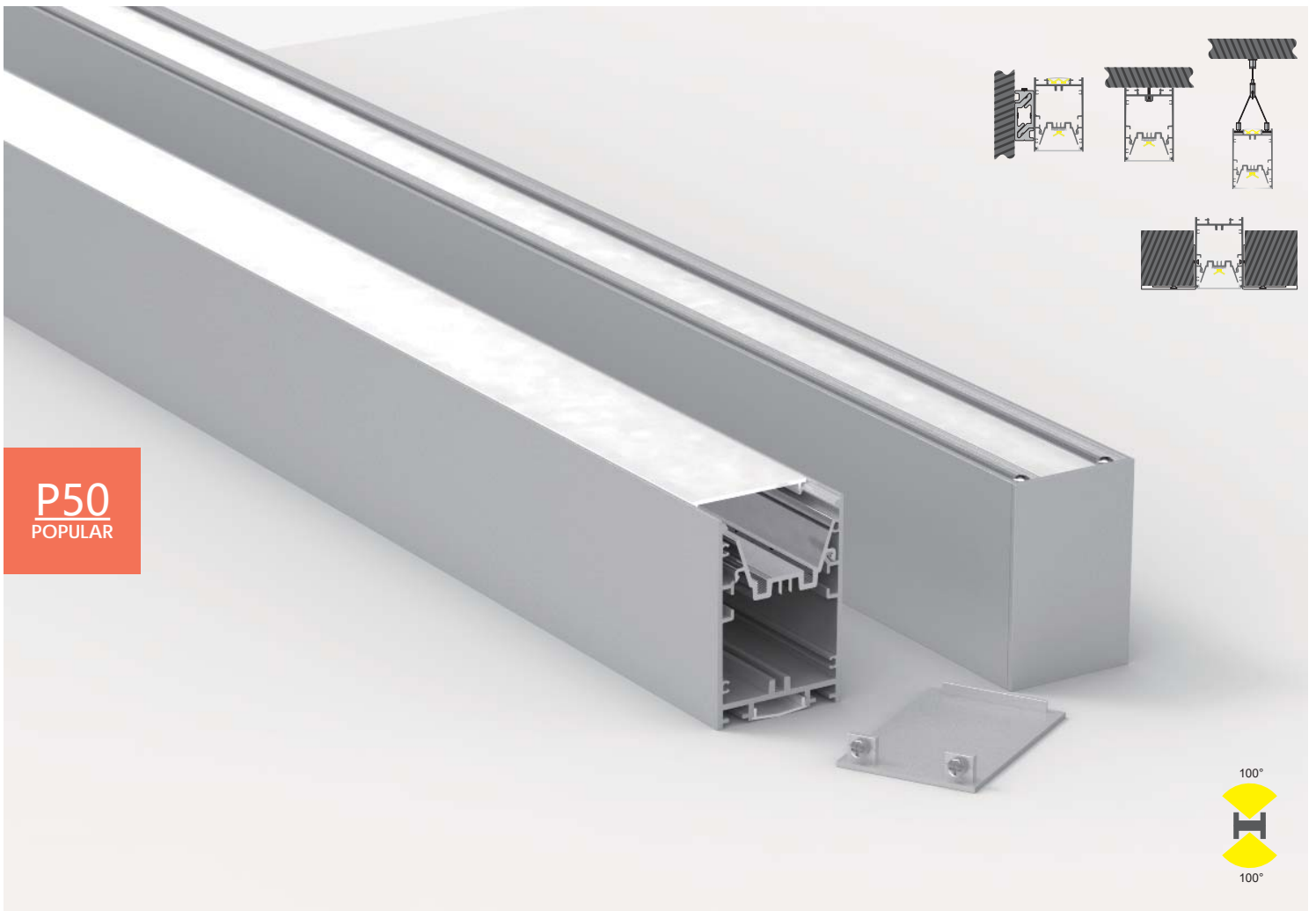


Wall Clips

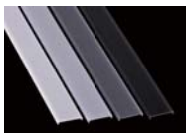


Suspension Kits

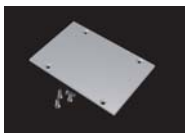




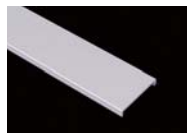
**P50**  
POPULAR



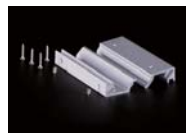
Optional Diffuser (PMMA)



Aluminum Endcap



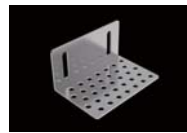
Aluminum diffuser



Wall Clips



Suspension Kits



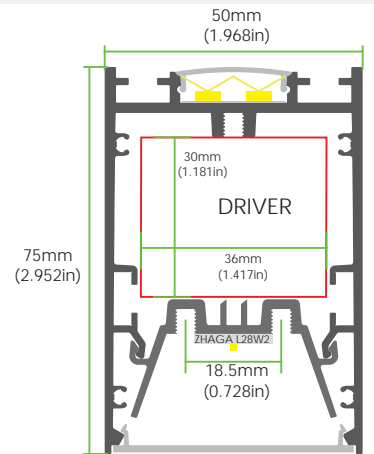
Stainless Steel L bracket



Joiners



Aluminum Screwless Endcap



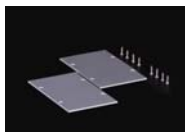




**P60**  
POPULAR



Optional Diffuser (PMMA)



Aluminum Endcap



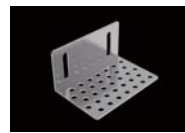
Aluminum diffuser



Wall Clips



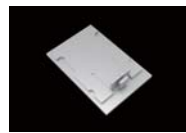
Suspension Kits



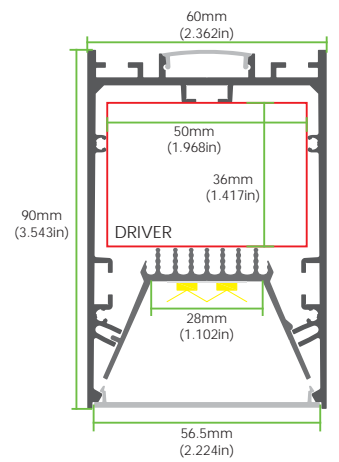
Stainless Steel L bracket

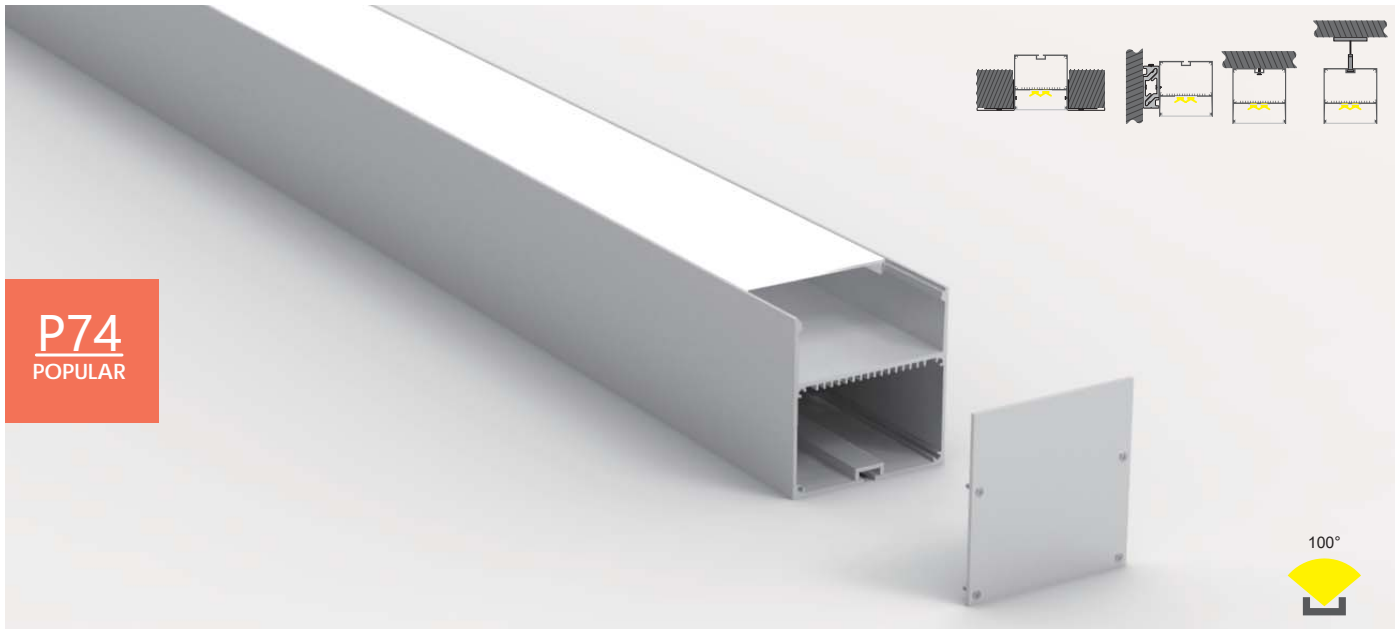


Joiners

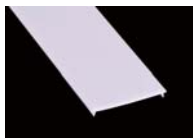
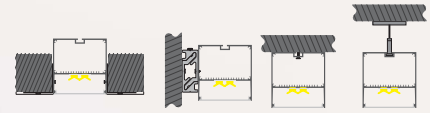


Aluminum Screwless Endcap

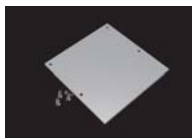




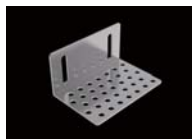
**P74**  
POPULAR



Opal Diffuser (PMMA)



Aluminum Endcap



Stainless Steel L bracket



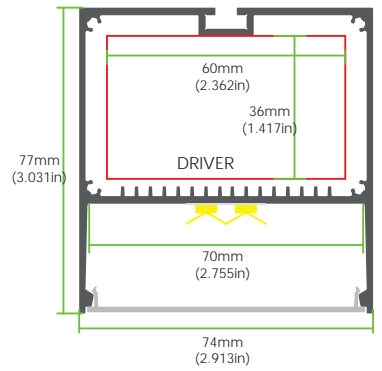
Wall Clips



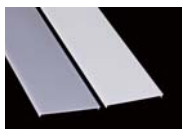
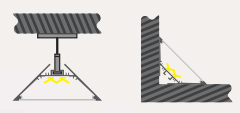
Suspension Kits



Joiners



**W91**  
POPULAR



Optional Diffuser (PMMA)



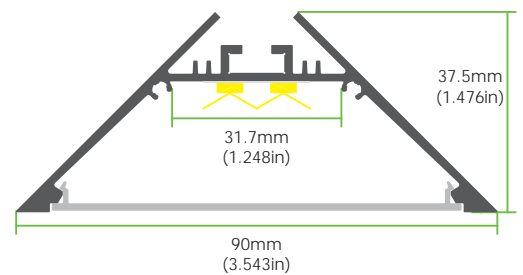
Aluminum Endcap



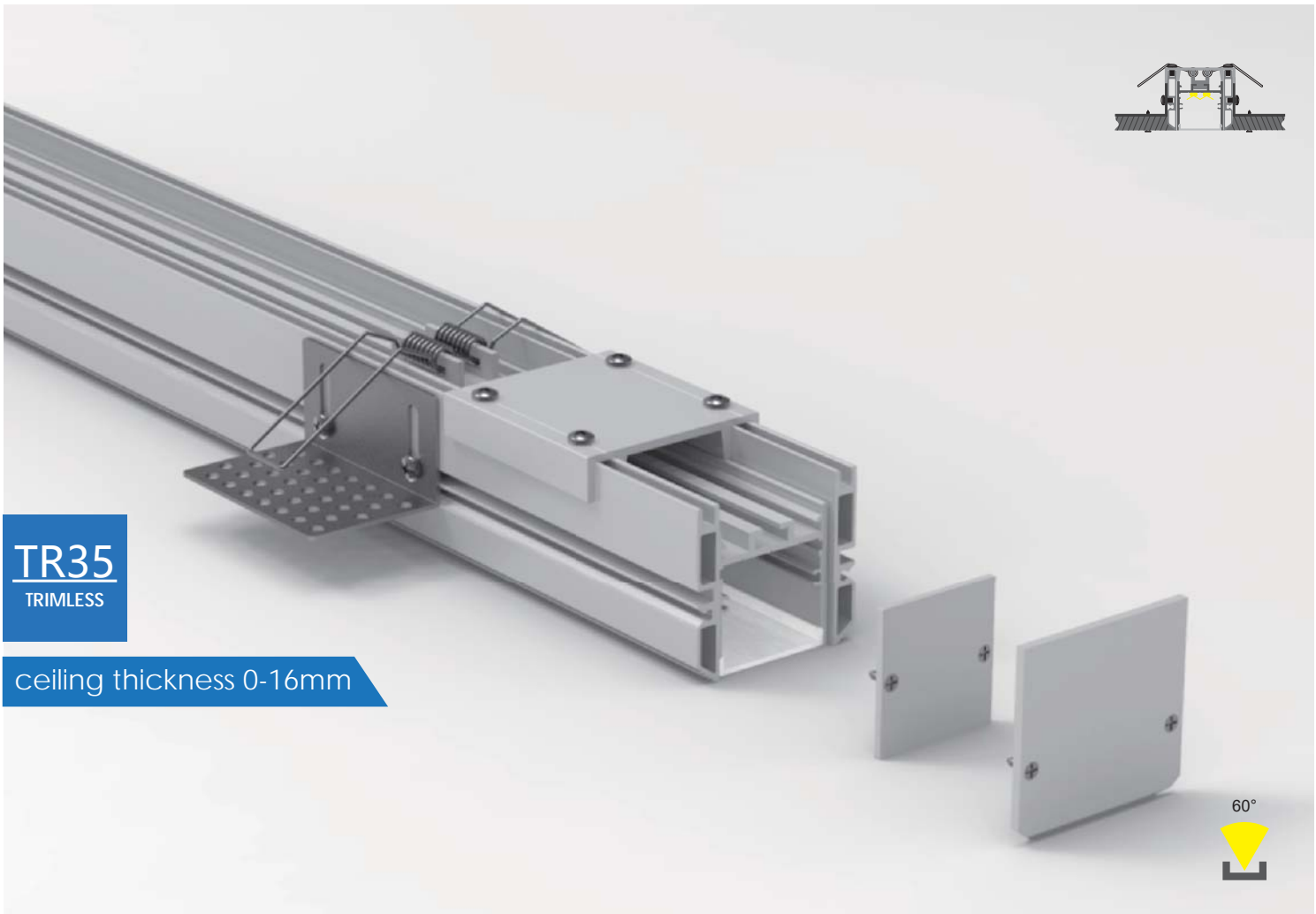
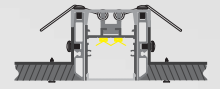
Joiners



Suspension Kits

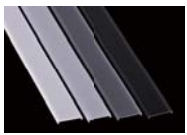






**TR35**  
TRIMLESS

ceiling thickness 0-16mm



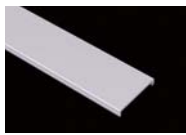
Optional Diffuser (PMMA)



Aluminum Endcap



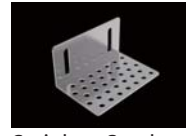
Aluminum Endcap



Aluminum diffuser



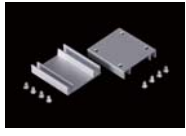
Spring Clip



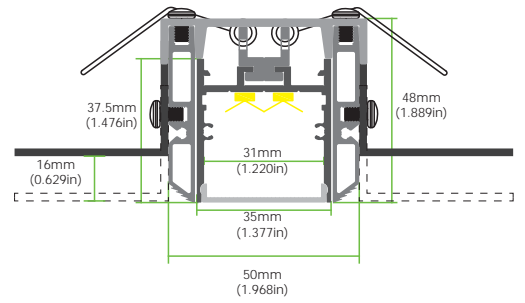
Stainless Steel L bracket



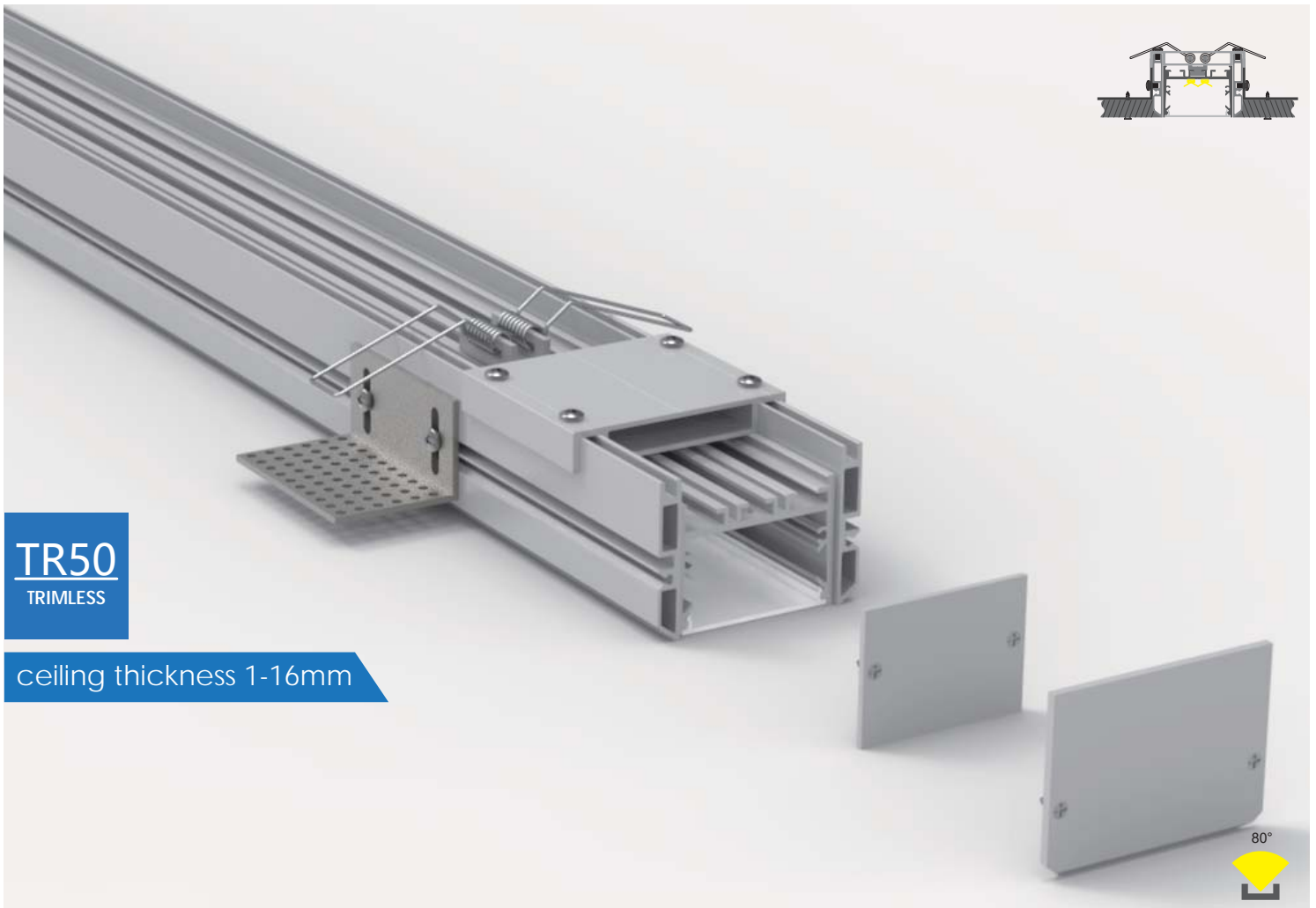
Alum.Trimless bar



Alum.Bridge base

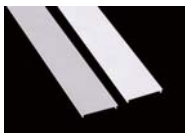




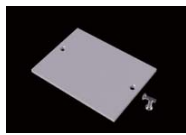


**TR50**  
TRIMLESS

ceiling thickness 1-16mm



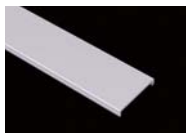
Optional Diffuser (PMMA)



Aluminum Endcap



Aluminum Endcap



Aluminum diffuser



Spring Clip



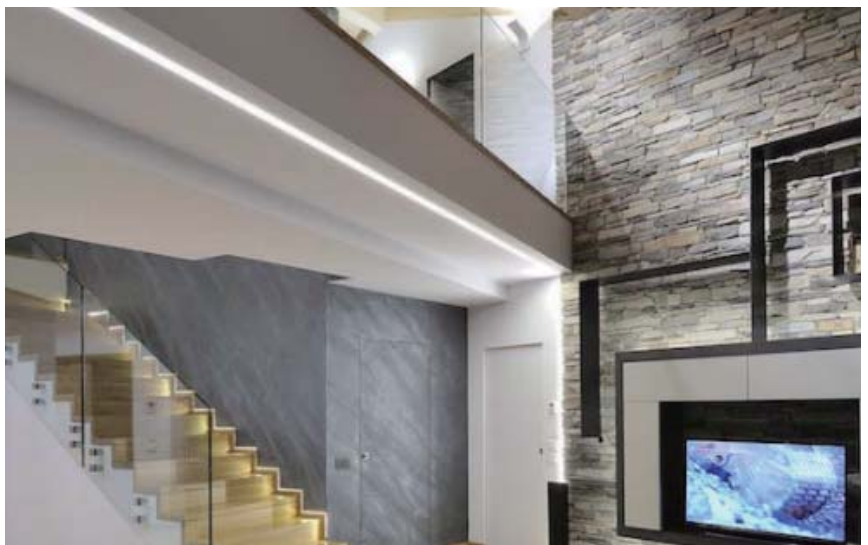
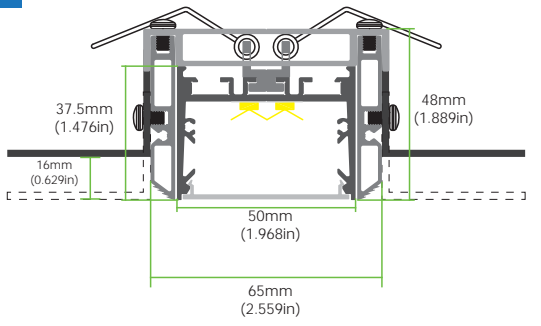
Stainless Steel L bracket

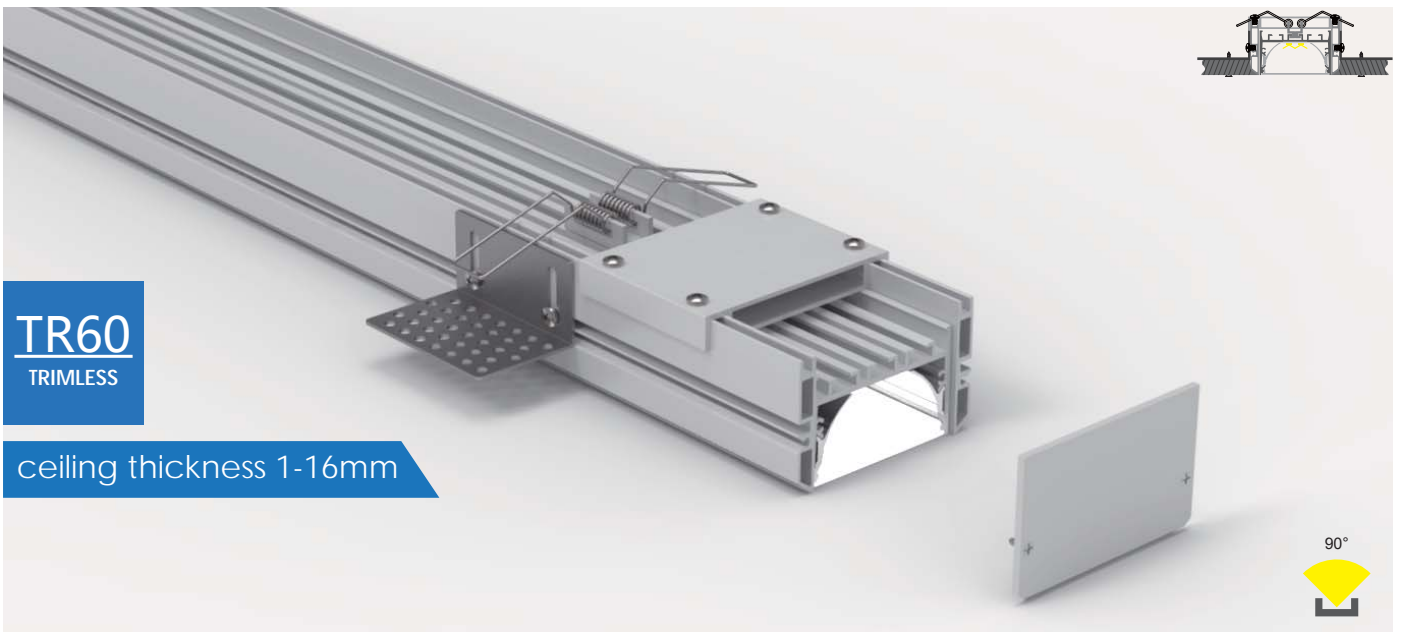


Alum.Trimless bar



Alum.Bridge base



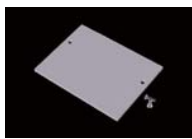


**TR60**  
TRIMLESS

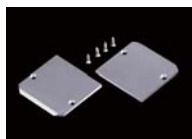
ceiling thickness 1-16mm



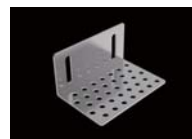
Optional Diffuser (PMMA)



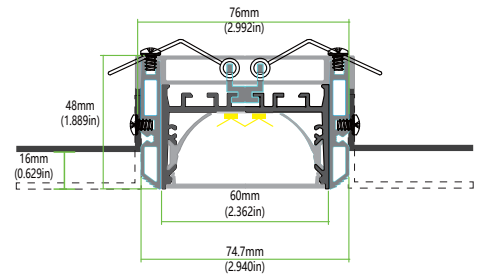
Aluminum Endcap



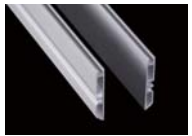
Aluminum Endcap



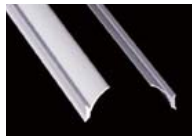
Stainless Steel L bracket



Spring Clip



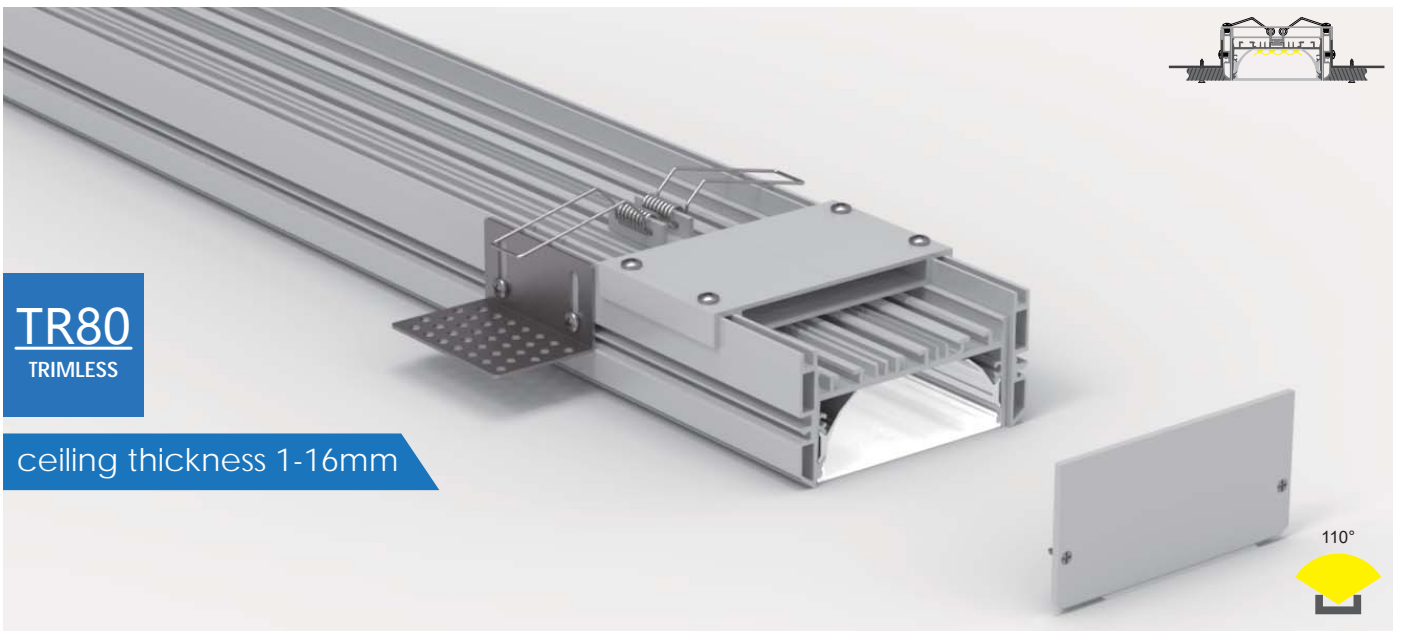
Alum.Trimless bar



Alum. Reflector

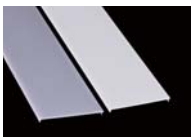


Alum.Bridge base

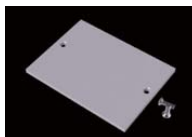


**TR80**  
TRIMLESS

ceiling thickness 1-16mm



Optional Diffuser (PMMA)



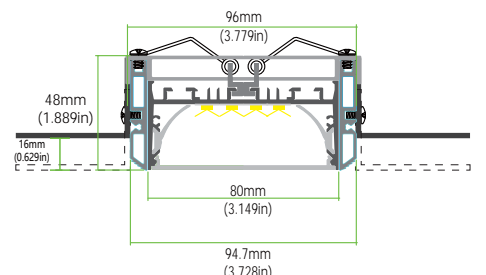
Aluminum Endcap



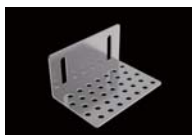
Aluminum Endcap



Spring Clip



Alum.Trimless bar



Stainless Steel L bracket



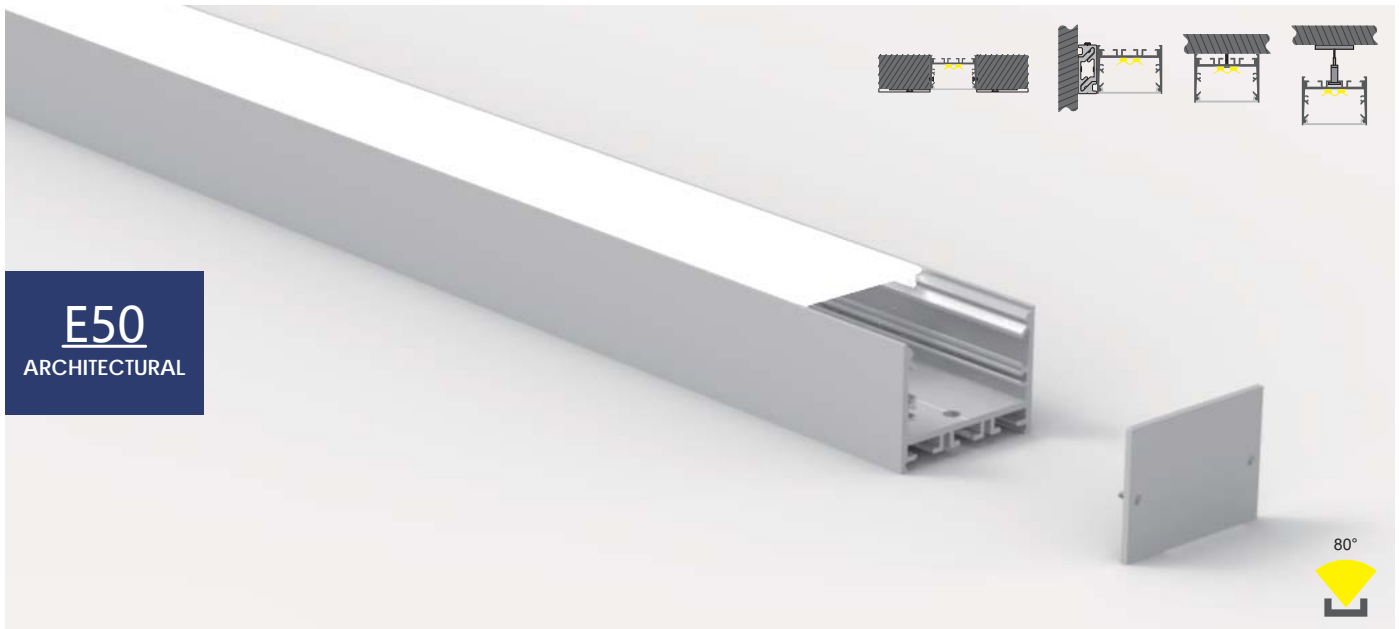
Alum.Bridge base



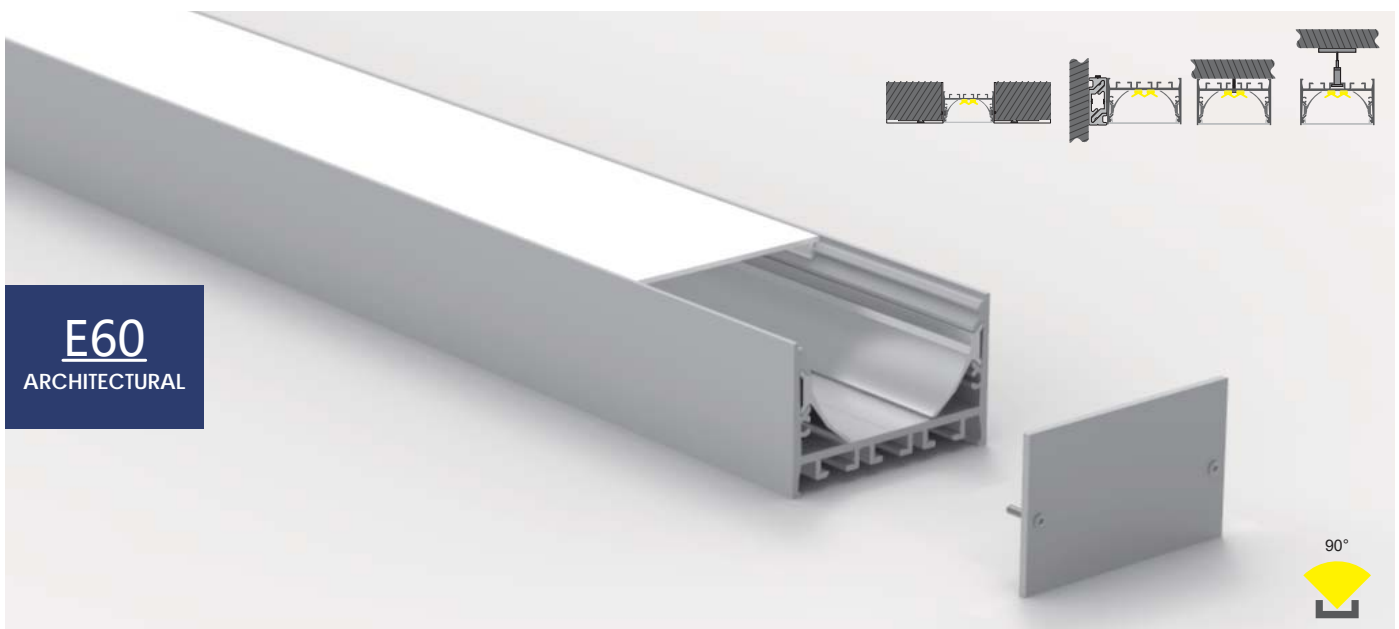
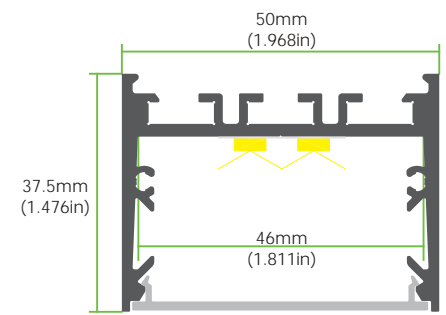
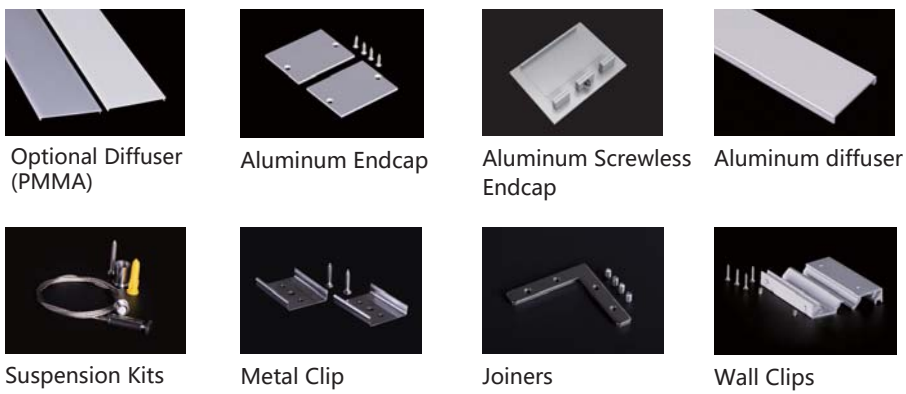
Alum. Reflector



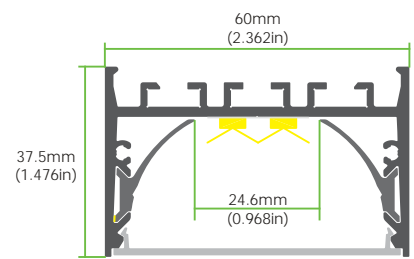
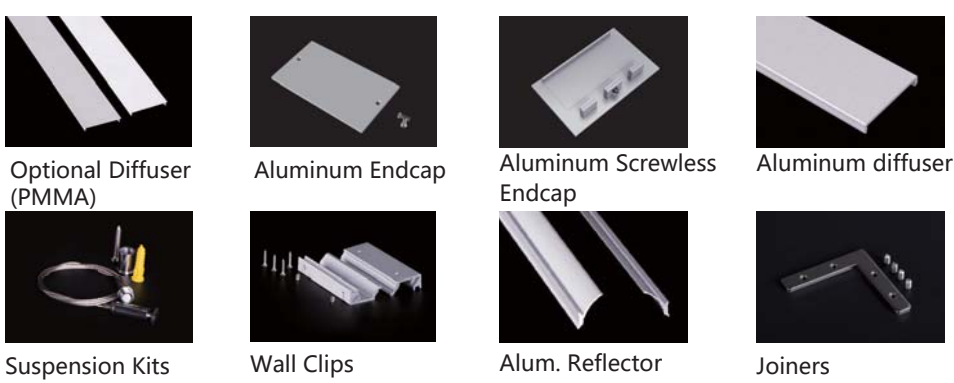




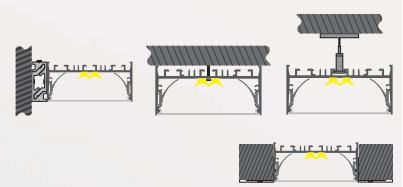
**E50**  
ARCHITECTURAL



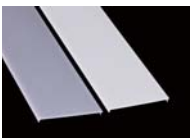
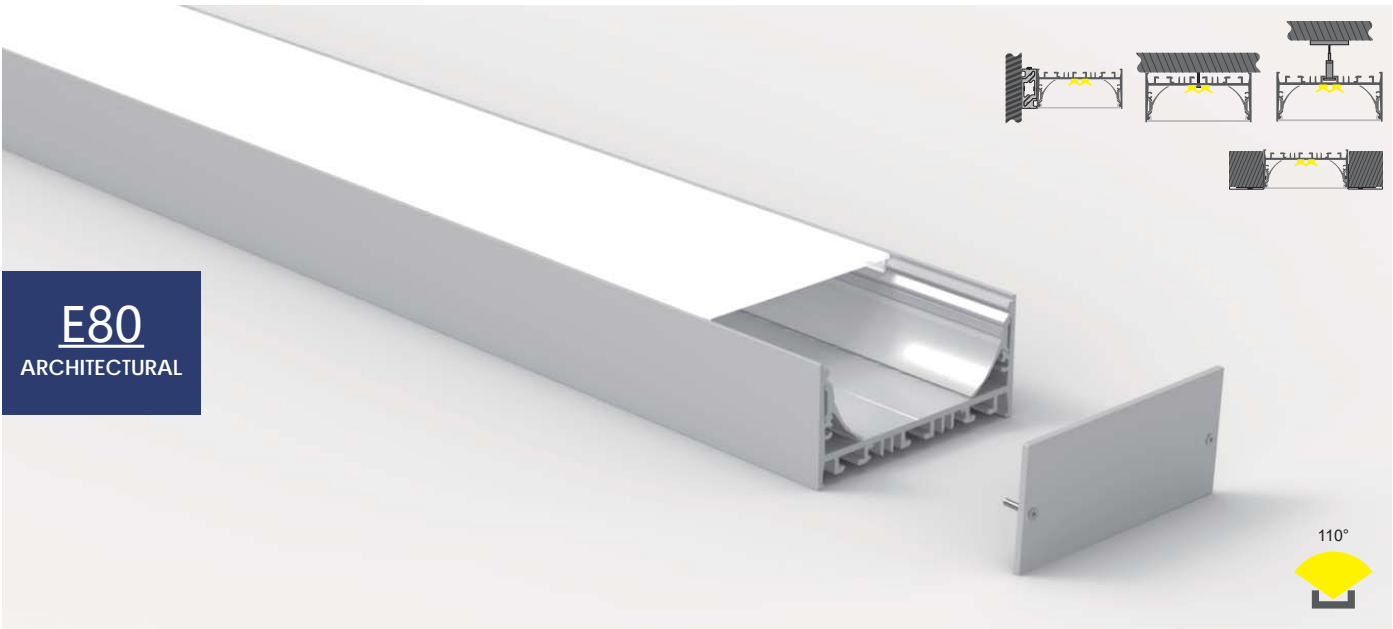
**E60**  
ARCHITECTURAL







**E80**  
ARCHITECTURAL



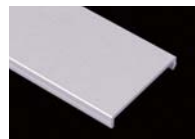
Optional Diffuser (PMMA)



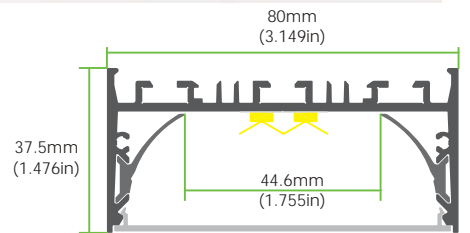
Aluminum Endcap



Aluminum Screwless Endcap



Aluminum diffuser



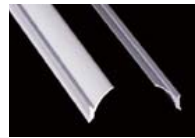
Suspension Kits



Metal Clip



Wall Clips



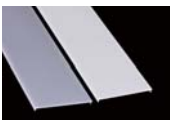
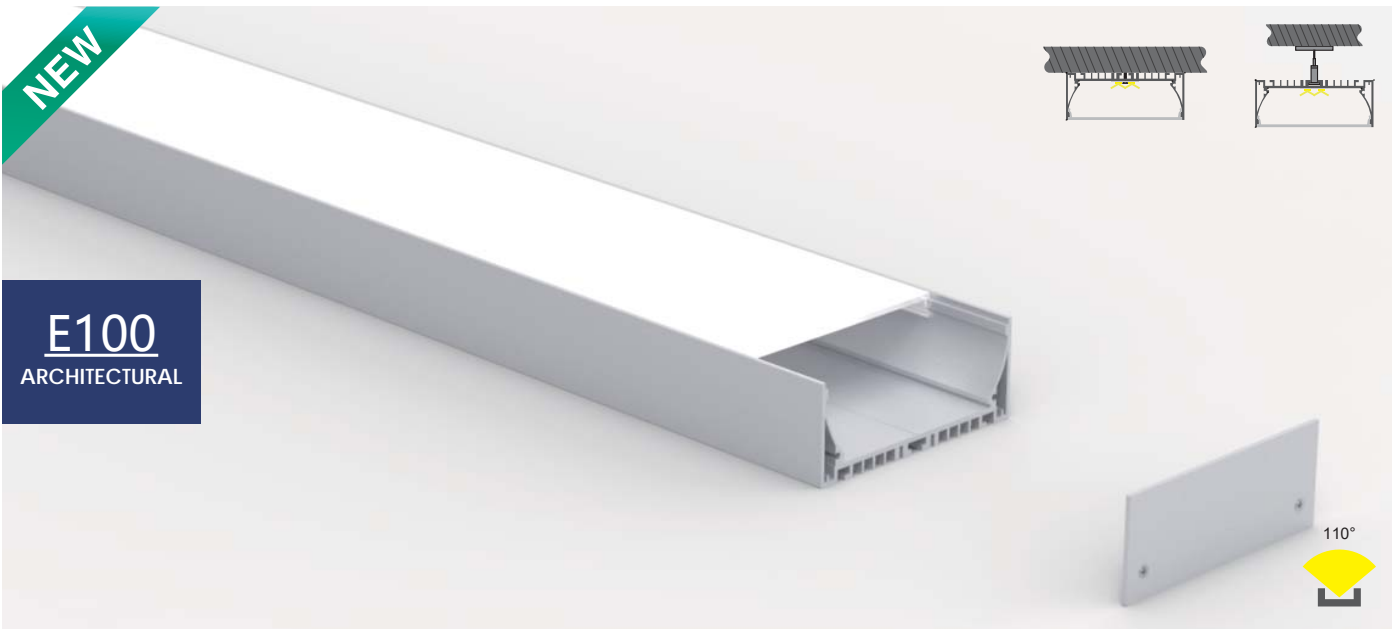
Alum. Reflector



Joiners

**NEW**

**E100**  
ARCHITECTURAL



Optional Diffuser (PMMA)



Aluminum Endcap



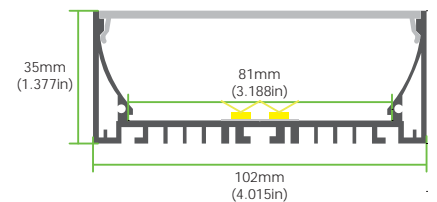
Aluminum Screwless Endcap



Joiners

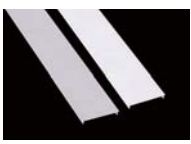


Suspension Kits

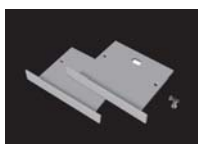




**ER50**  
ARCHITECTURAL



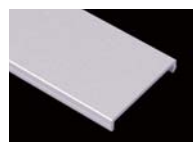
Optional Diffuser (PMMA)



Aluminum Endcap



Spring Clip



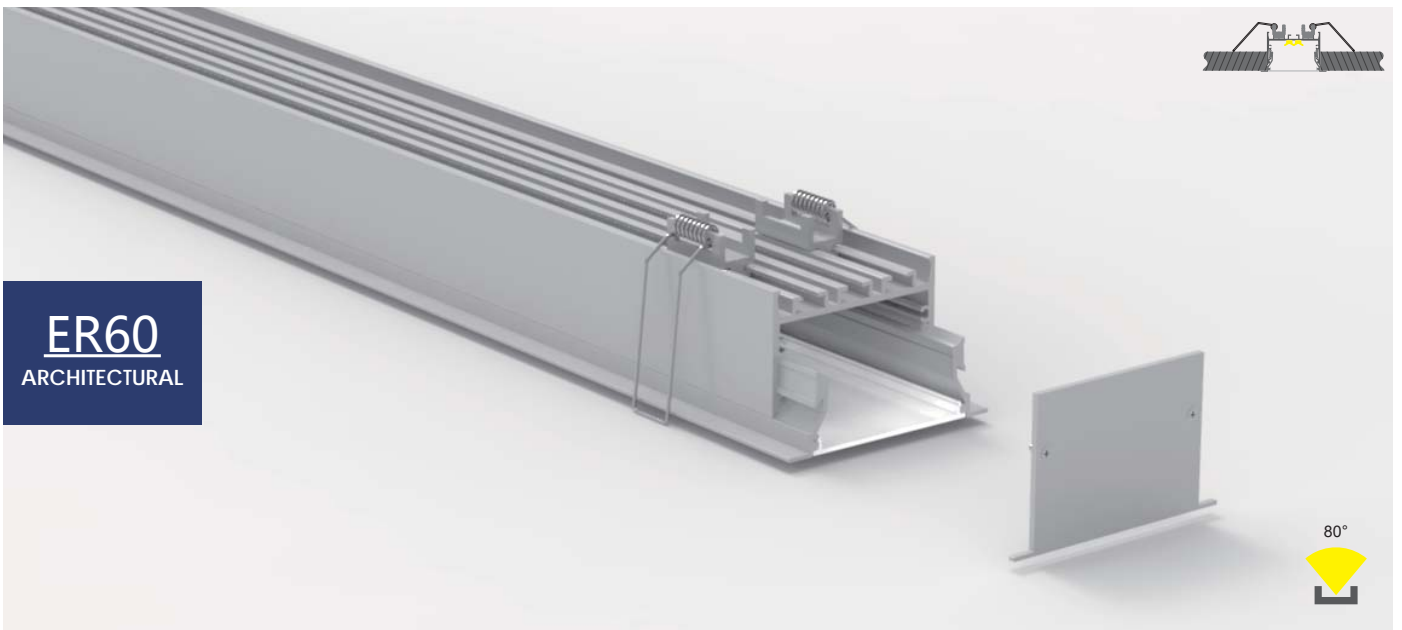
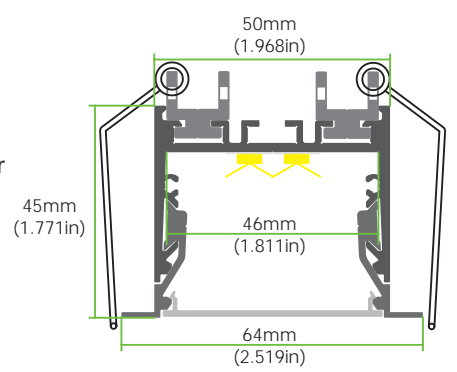
Aluminum diffuser



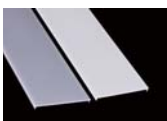
Recessed wing



Joiners



**ER60**  
ARCHITECTURAL



Optional Diffuser (PMMA)



Aluminum Endcap



Aluminum diffuser



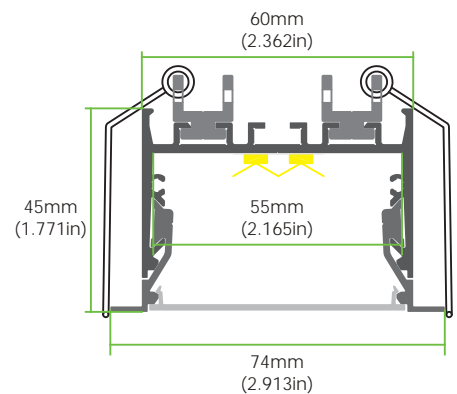
Joiners



Spring Clip

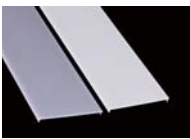


Recessed wing





**ER7635**  
ARCHITECTURAL



Optional Diffuser (PMMA)



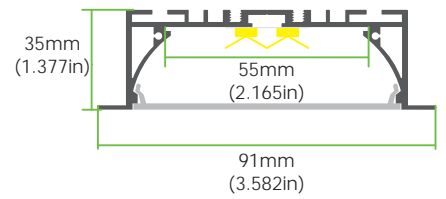
Aluminum Endcap



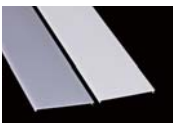
Spring Clip



Joiners



**E80-22**  
ARCHITECTURAL



Optional Diffuser (PMMA)



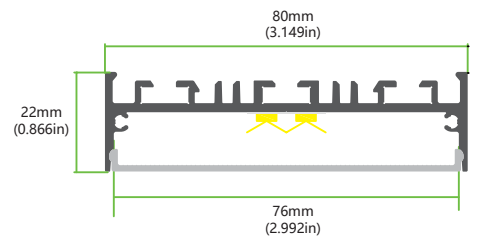
Aluminum Endcap



Aluminum Screwless Endcap



Joiners



Aluminum diffuser



Suspension Kits



Metal Clip

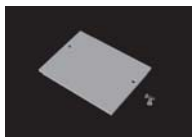


**EU60**  
ARCHITECTURAL

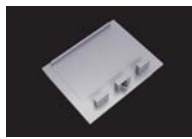
U Shape Diffuser



Optional Diffuser (PMMA)



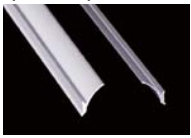
Aluminum Endcap



Aluminum Screwless Endcap



Joiners



Alum. Reflector



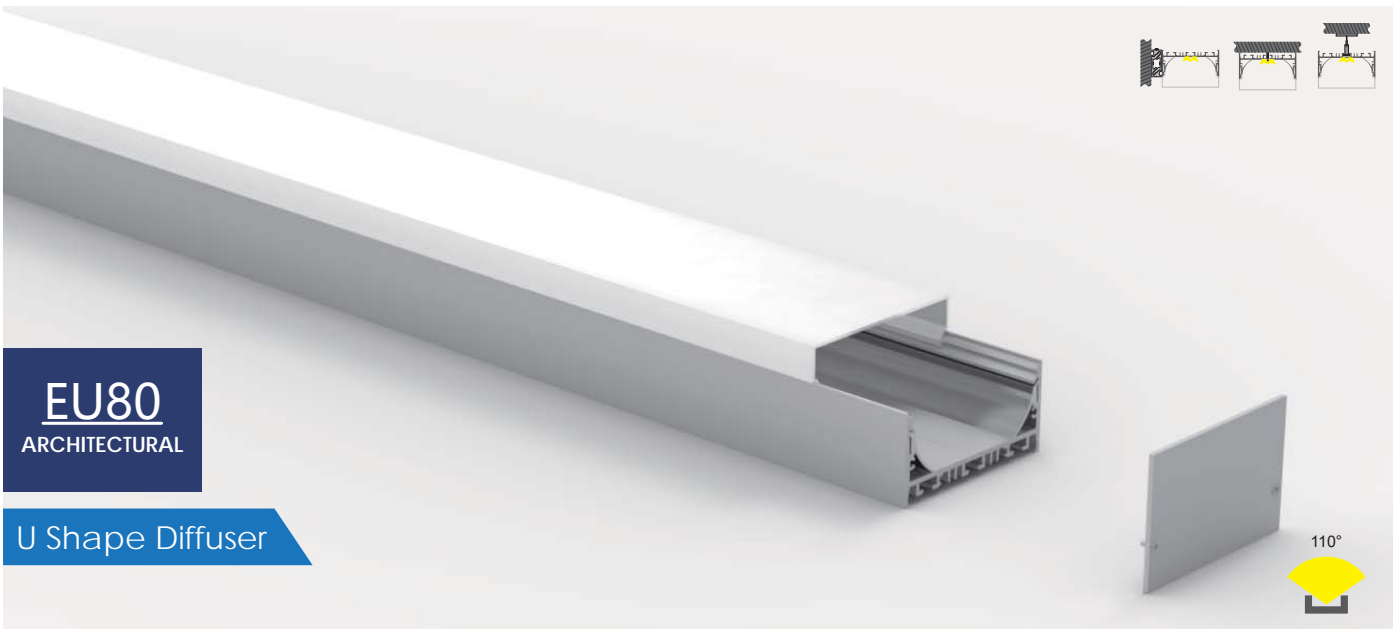
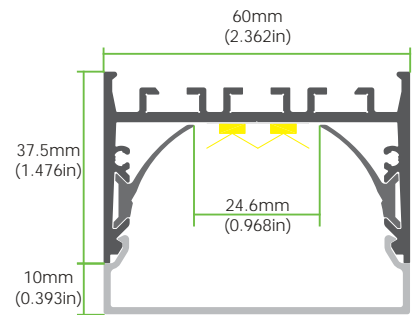
Suspension Kits



Metal Clip



Wall Clips



**EU80**  
ARCHITECTURAL

U Shape Diffuser



Optional Diffuser (PMMA)



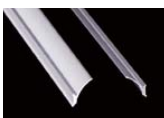
Aluminum Endcap



Aluminum Screwless Endcap



Joiners



Alum. Reflector



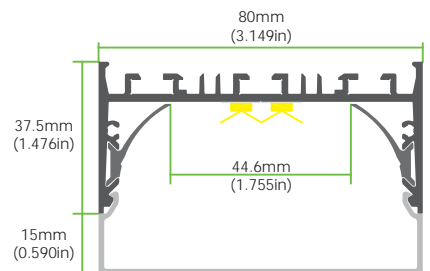
Suspension Kits



Metal Clip



Wall Clips

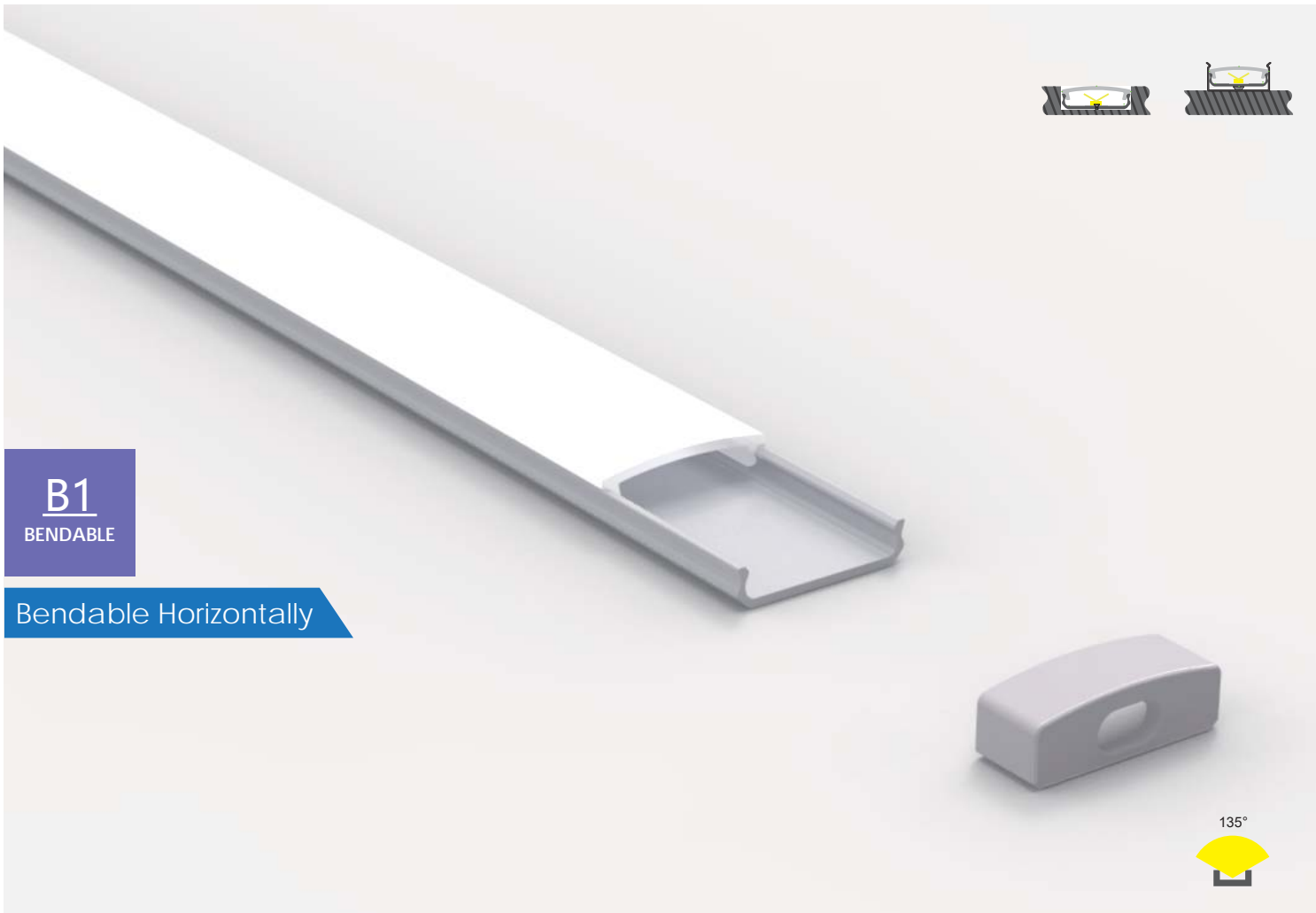






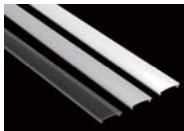
**BENDABLE**



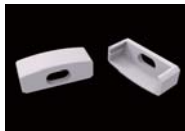


**B1**  
BENDABLE

Bendable Horizontally



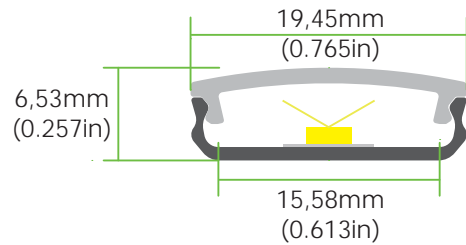
Optional Diffuser (PC/PMMA)



Plastic Endcap



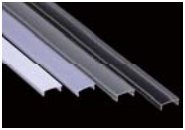
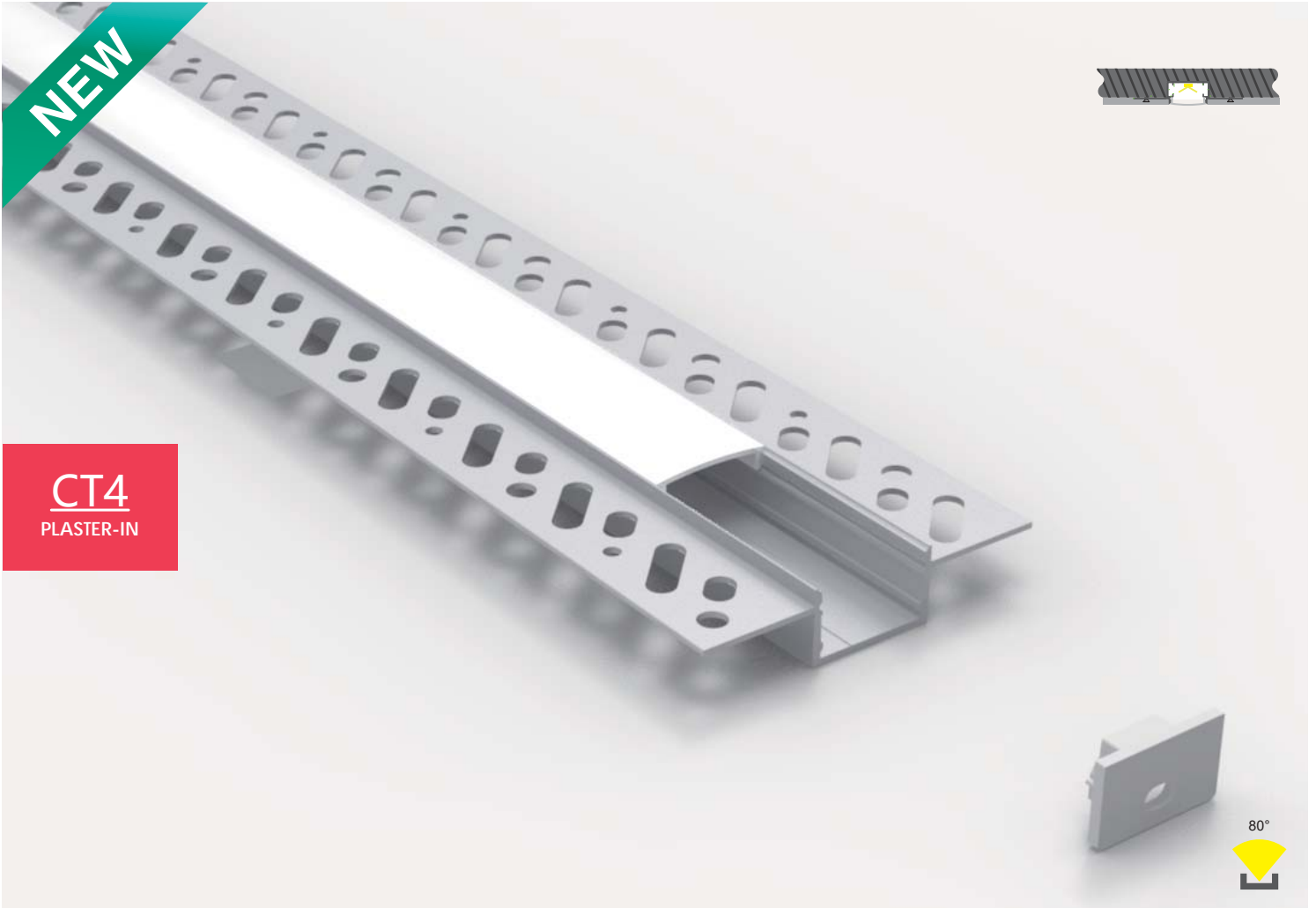
Metal Clip





PLASTER-IN

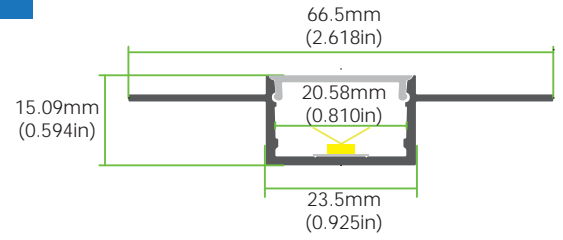




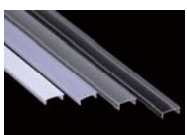
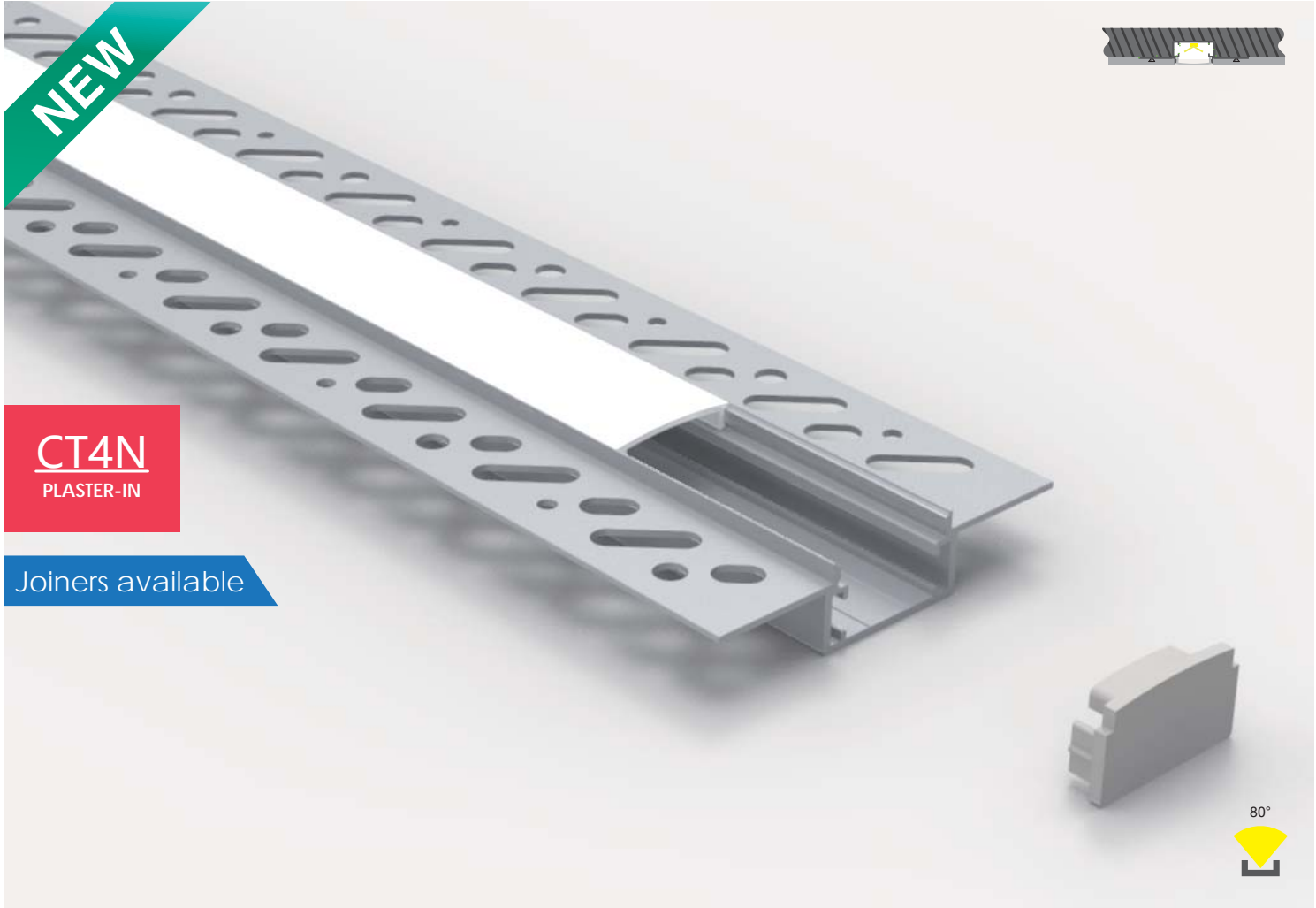
Optional Diffuser  
(PC/PMMA)



Plastic Endcap







Optional Diffuser  
(PC/PMMA)



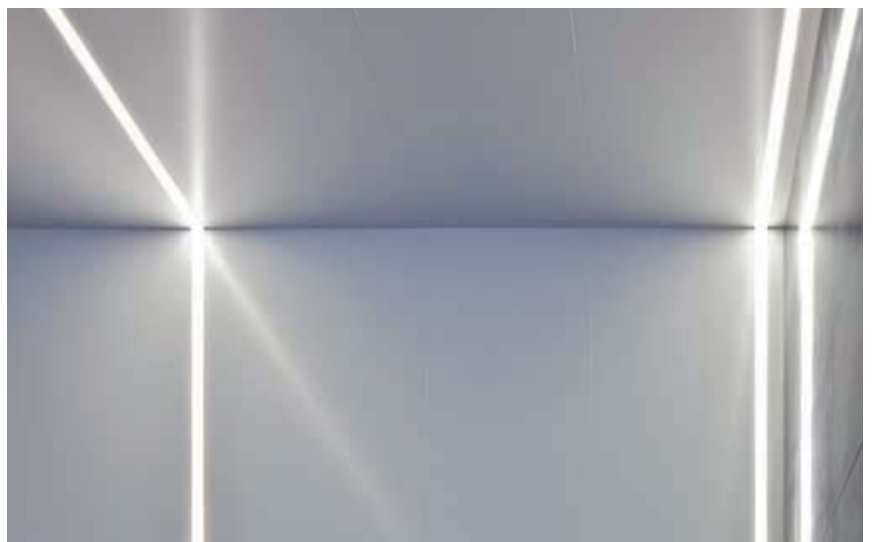
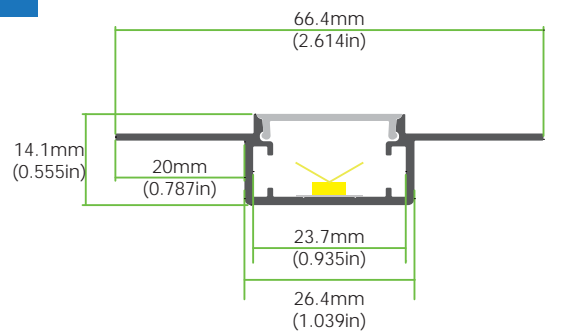
Plastic Endcap

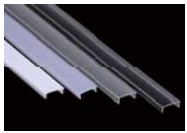
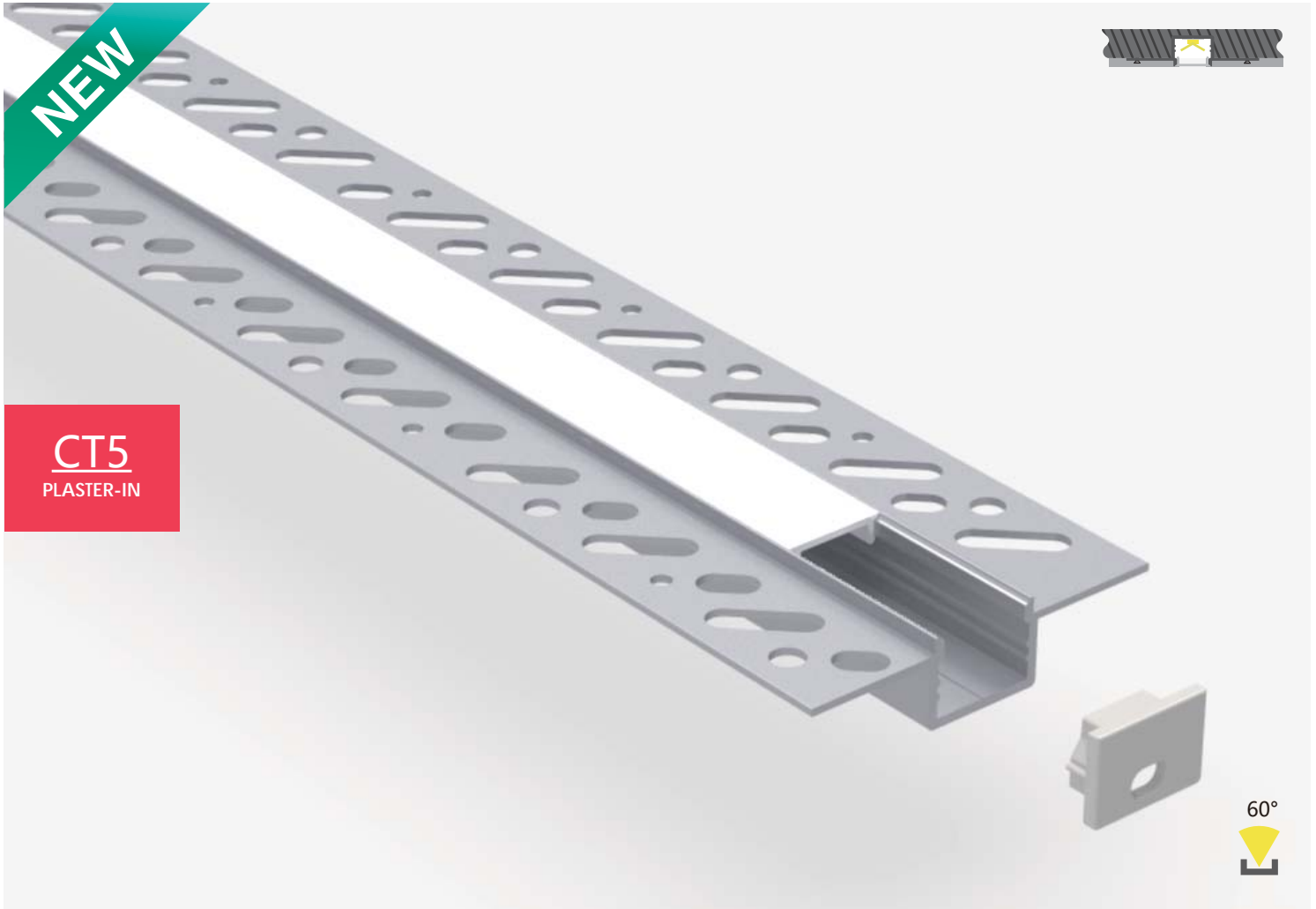


Joiners



Joiners

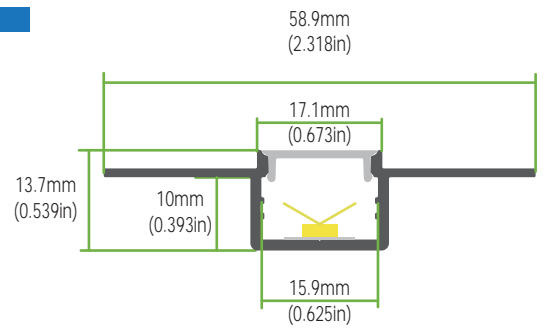


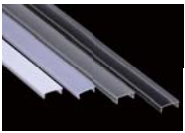
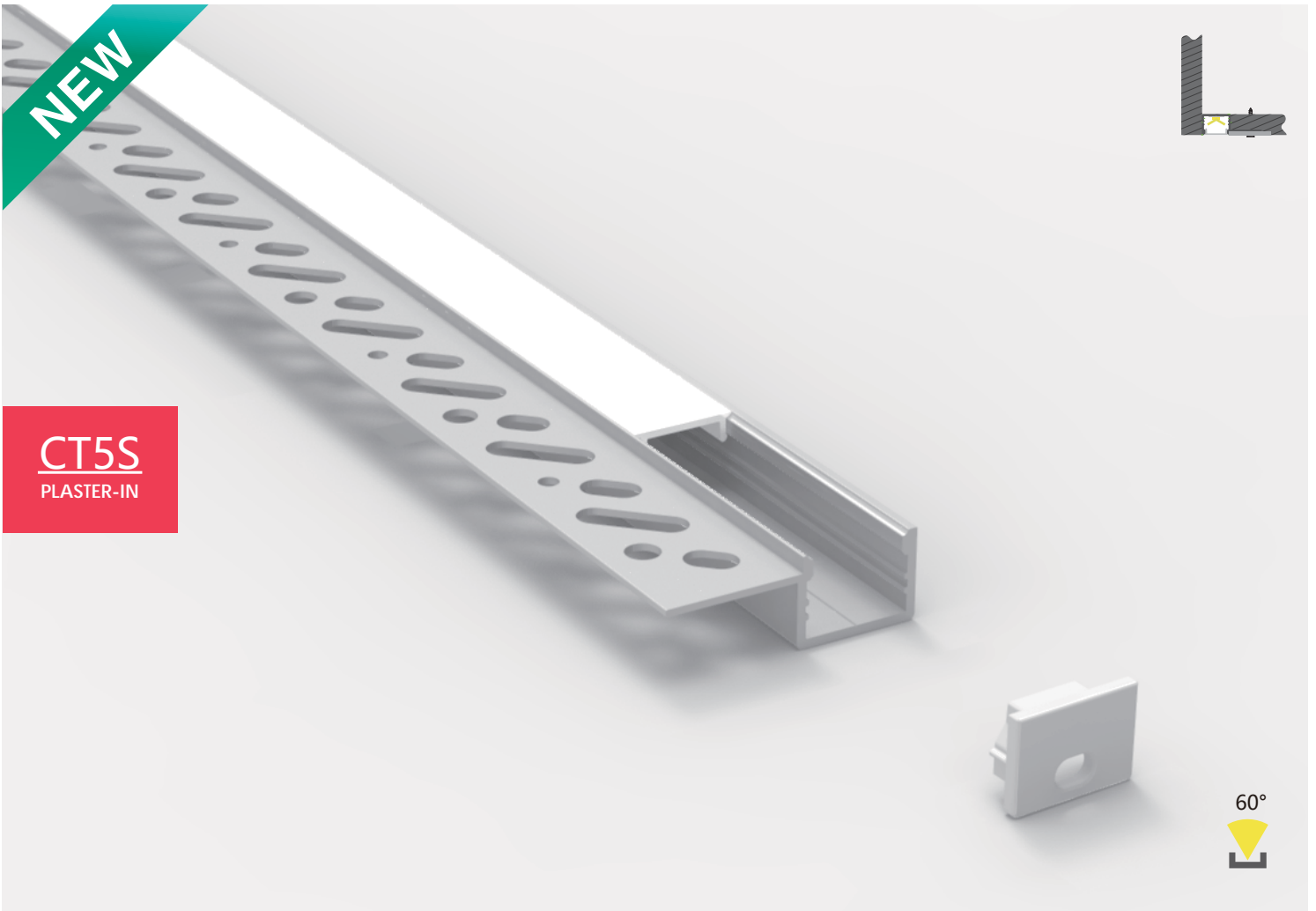


Optional Diffuser  
(PC/PMMA)



Plastic Endcap

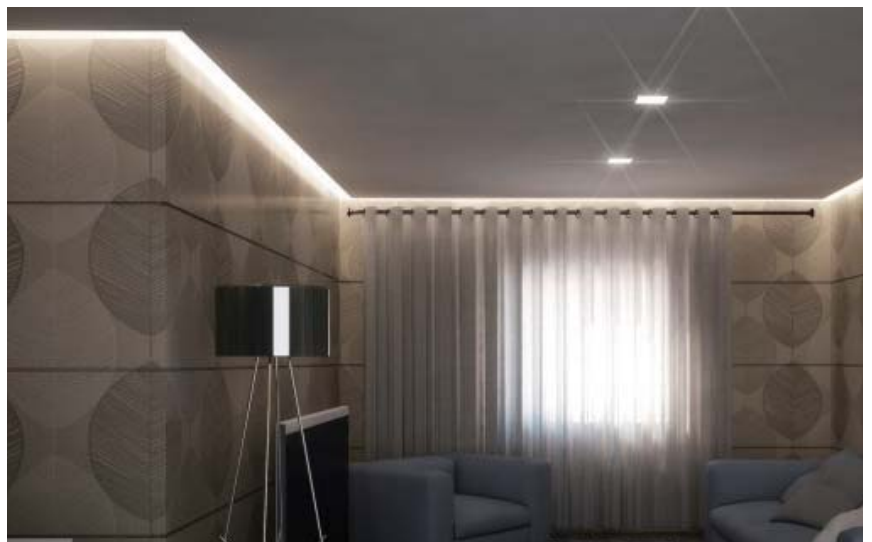
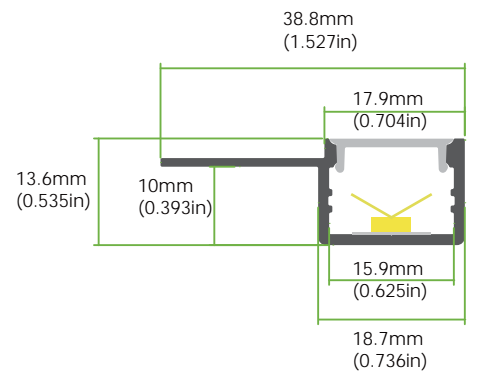


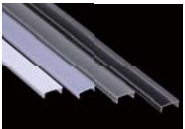
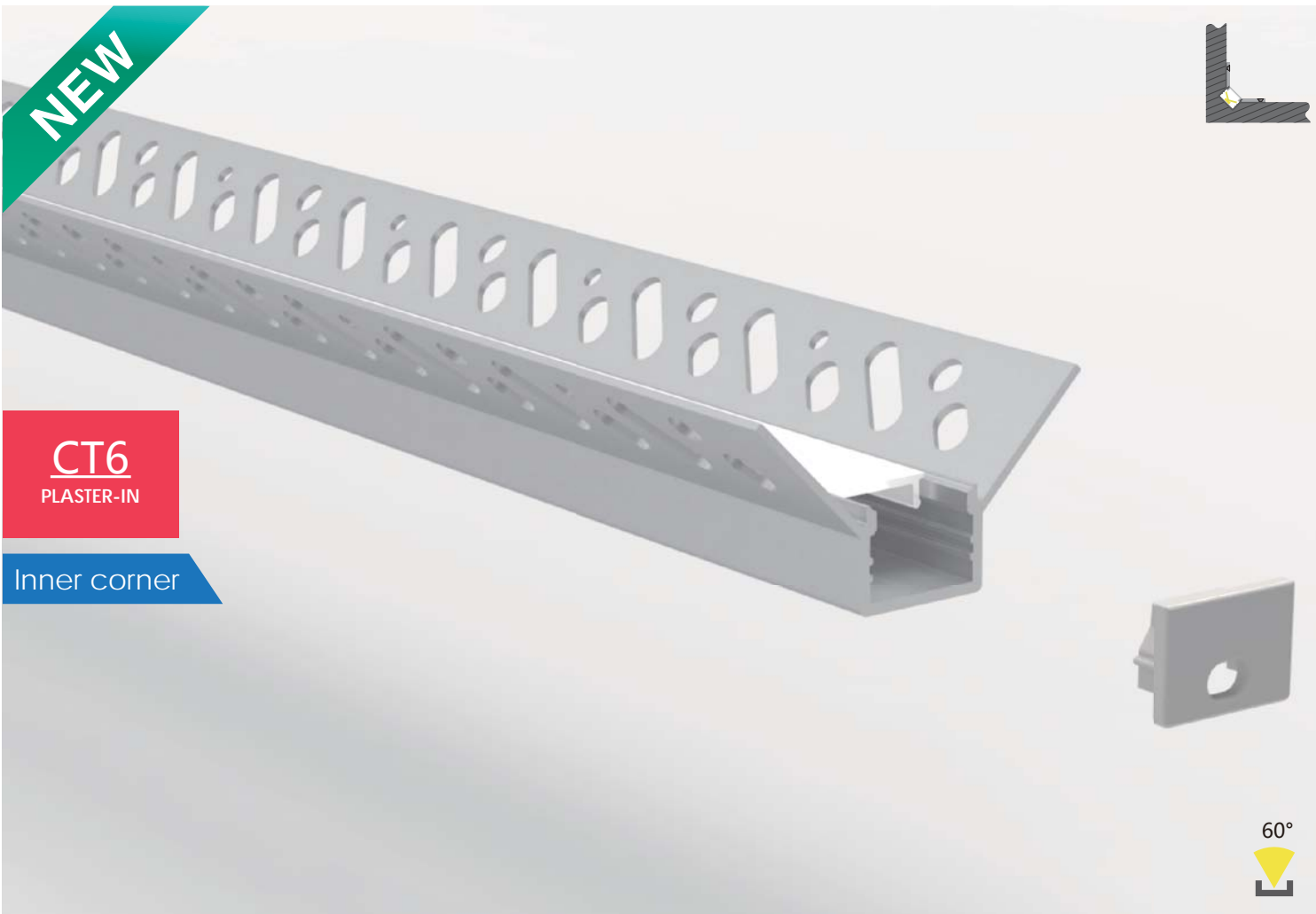


Optional Diffuser  
(PC/PMMA)



Plastic Endcap

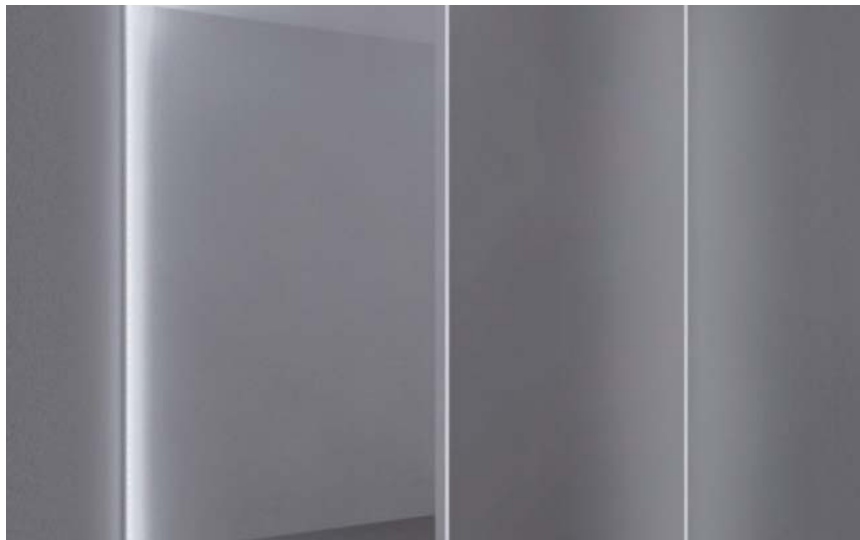
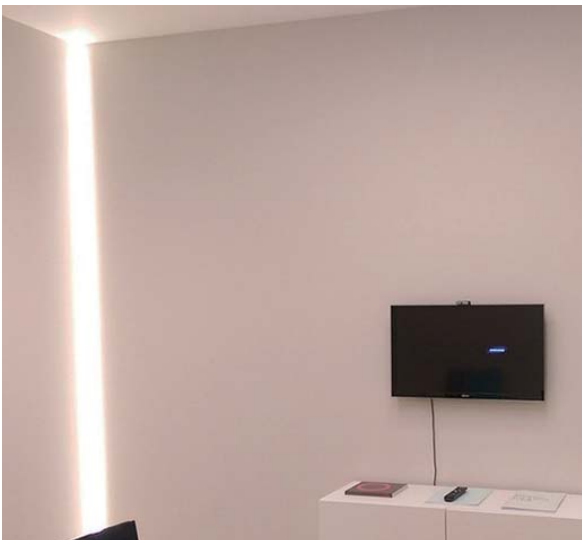
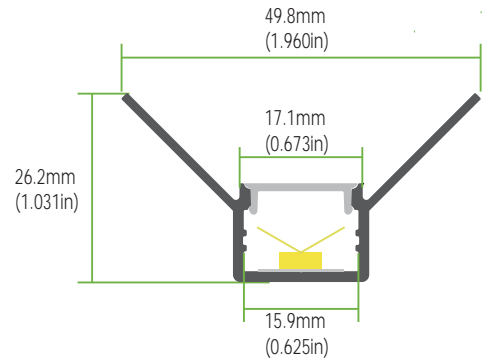




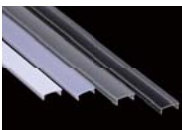
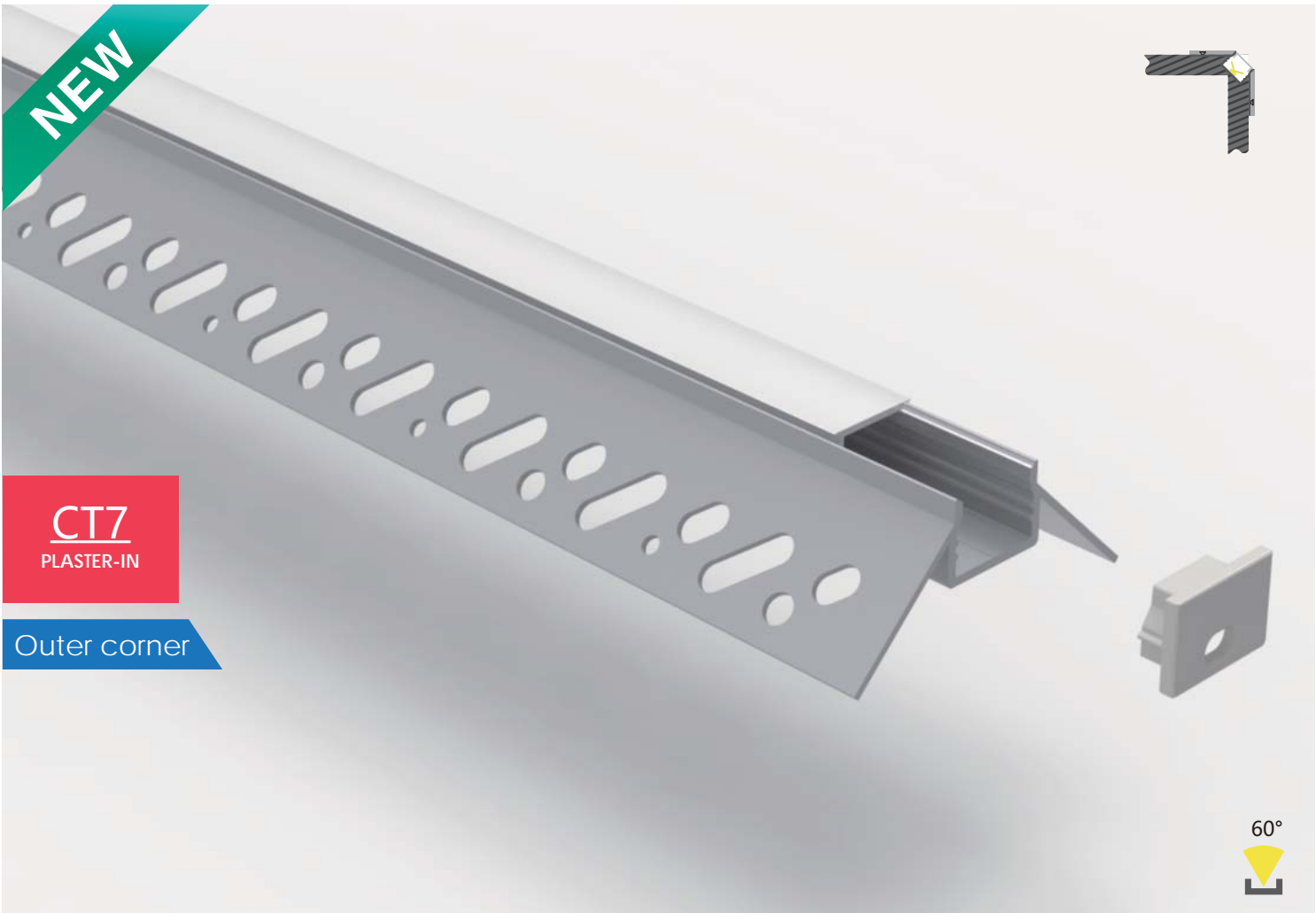
Optional Diffuser (PC/PMMA)



Plastic Endcap



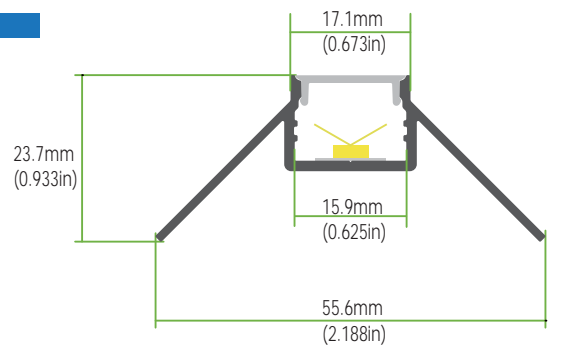


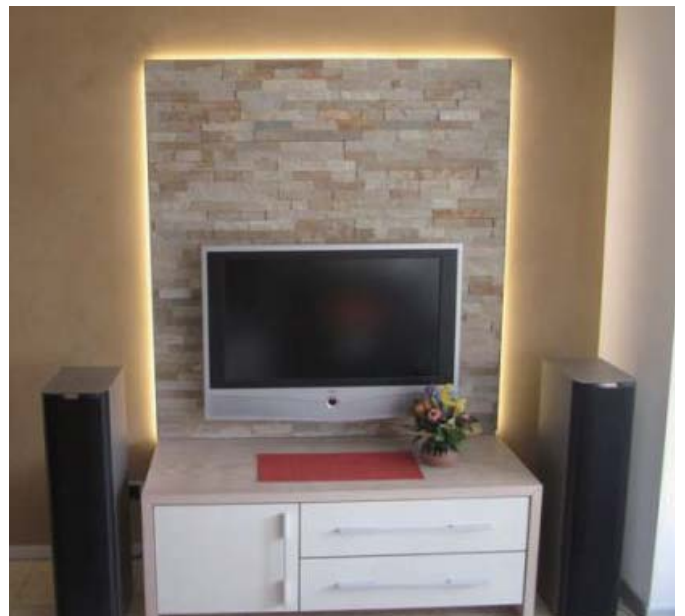


Optional Diffuser  
(PC/PMMA)



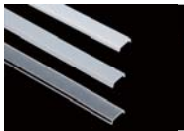
Plastic Endcap







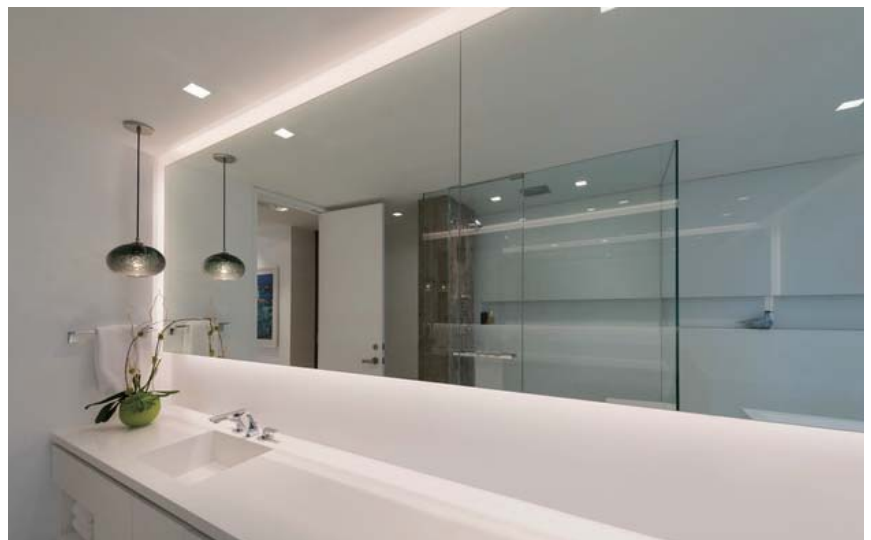
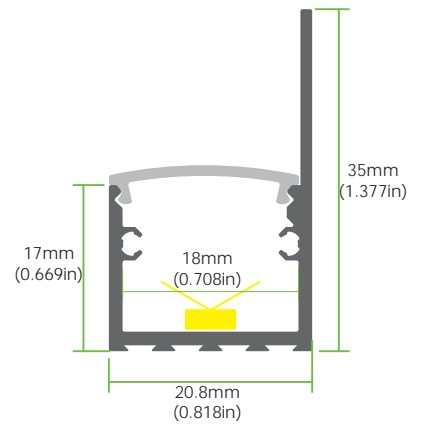
**AT13**  
INDIRECT PANEL  
ILLUMINATED PROFILES



Optional Diffuser  
(PMMA)



Aluminum Endcap





**AT14**  
INDIRECT PANEL  
ILLUMINATED PROFILES

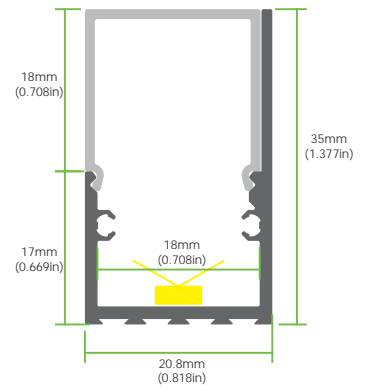
40°



Opal Diffuser  
(PMMA)



Aluminum Endcap

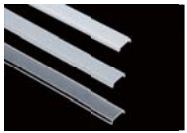






**C35**  
CURVED RING PROFILES

Customized any shape per your request!!!



Optional Diffuser (PMMA)



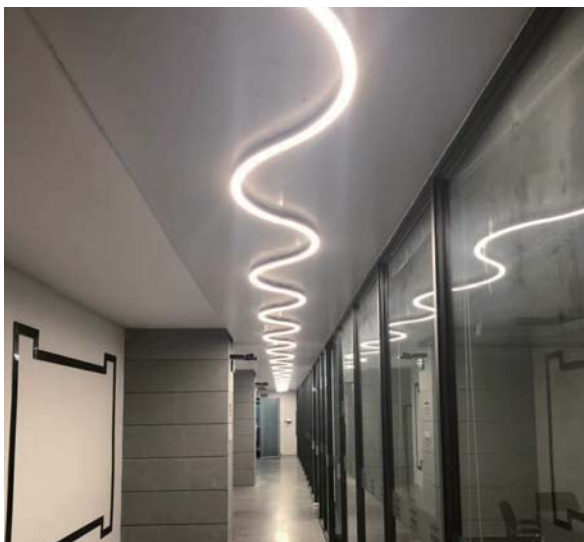
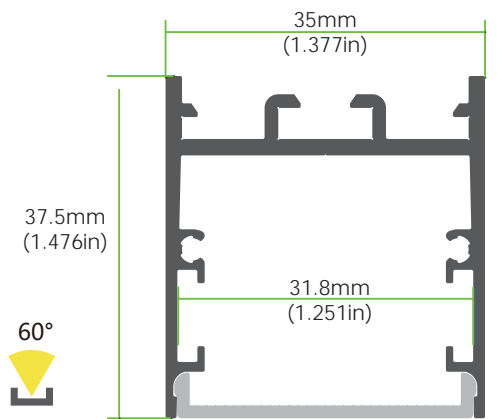
Suspension Kits



Aluminum Endcap

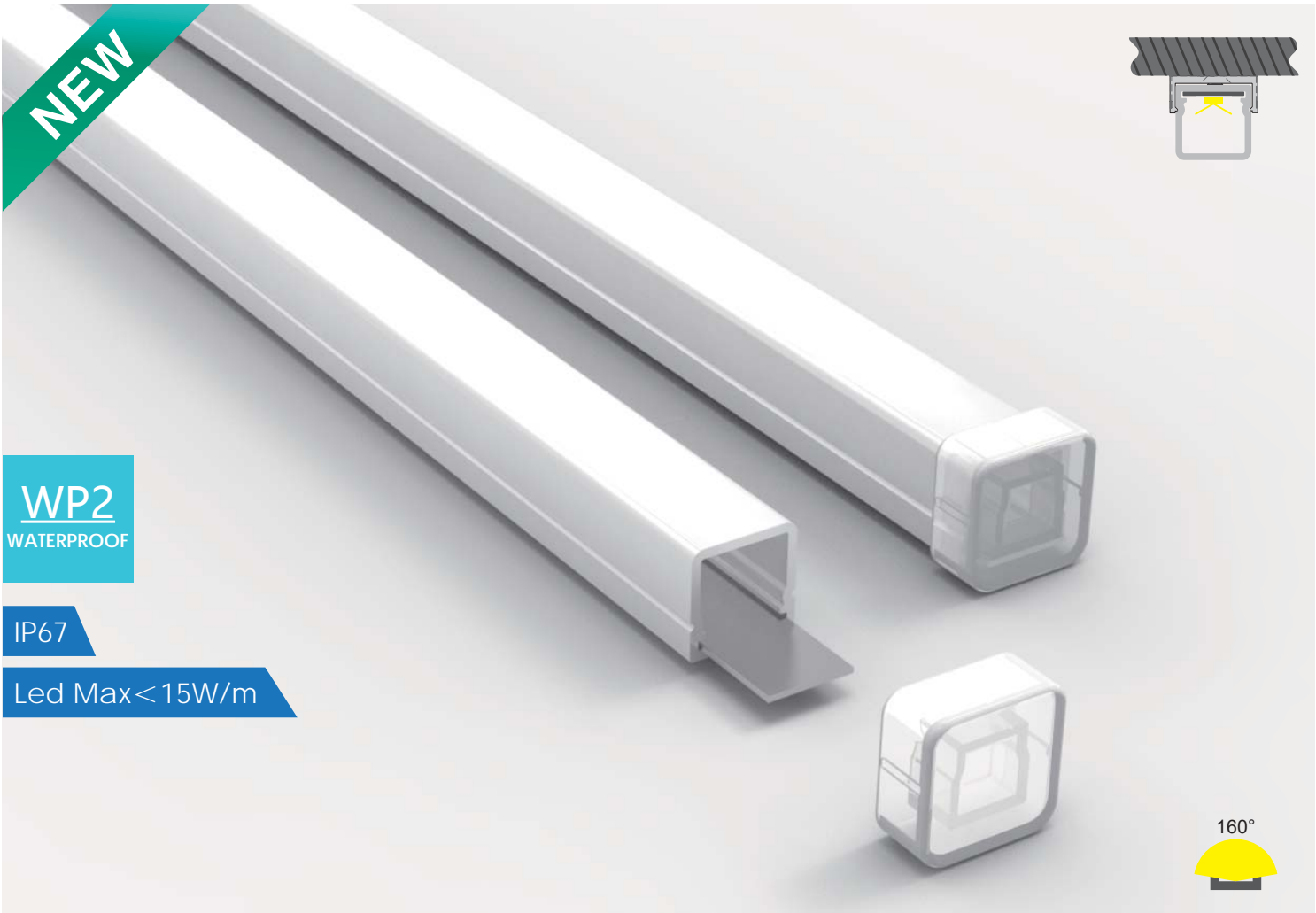


Joiners (Customized)









Optional Diffuser (PMMA)



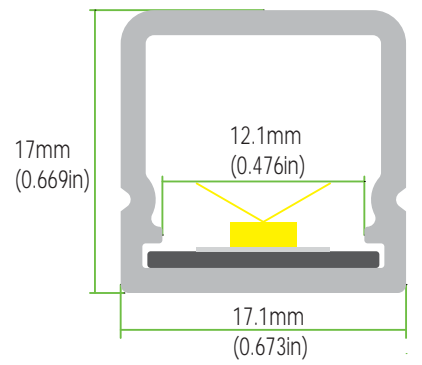
Aluminum Tray



Plastic Clip



Plastic Endcap



The logo graphic features the word "LEDWIDE" in a bold, blue, sans-serif font, centered within a series of concentric, dashed blue circles. This central element is surrounded by several more solid, light blue concentric circles. The entire circular composition is framed by a large, stylized, light blue graphic element that resembles a stylized 'L' or a series of parallel lines curving around the circles.

**LEDWIDE**

LEDWIDE LIGHTING CO., LTD

1-2/F, Building A2, Sinopol Ind. Park, First industrial  
Zone, BaiHua communities, Guangming New District  
ShenZhen, P.R. China Postcode: 518107

深圳市里外光电科技有限公司  
深圳市光明新区白花社区第一工业区中信宝低碳产业园  
A2栋101/201

Wechat - liuyamin2013

Skype - lily-ledwide

Whatsapp - +0086018680360436

Phone - (+86 755) 29362351

Fax - (+86 755) 29014058

Email - admin@ledwide.com

Website - <http://www.ledwide.com>